



Main

Range of Product	Harmony XAC
Product or Component Type	Pendant control station
Device short name	XACB

Complementary

Control station type	Double insulated
Enclosure Material	Glass reinforced polyester
Electrical circuit type	Power circuit
Enclosure type	Complete ready for use
Control station application	Control of single speed hoist motor
Control station composition	2 push-buttons
Control button type	First push-button 3-pole raise, slow Second push-button 3-pole lower, slow
Product compatibility	XESD2201 for reversing operation
Mechanical interlocking	With mechanical interlocking
Control station colour	Yellow
Connections - terminals	Screw clamp terminals, 1 x 2.5 mm ² with or without cable end Screw clamp terminals, 2 x 1.5 mm ² with or without cable end
Standards	EN/IEC 60947-5-1 EN/IEC 60204-32 CSA C22.2 No 14
Product Certifications	CSA type 4
Protective treatment	TH
Ambient air temperature for operation	-13...158 °F (-25...70 °C)
Ambient Air Temperature for Storage	-40...158 °F (-40...70 °C)
Vibration resistance	15 gn 10...500 Hz)IEC 60068-2-6
Shock resistance	100 gn IEC 60068-2-27
Overvoltage category	Class II IEC 61140
IP degree of protection	IP65 conforming to IEC 60529
Mechanical durability	1000000 cycles
Cable entry	Rubber sleeve with stepped entry 0.39...0.87 in (10...22 mm)
[I _{th} e] conventional enclosed thermal current	20 A
[U _i] rated insulation voltage	500 V 3)IEC 60947-1 300 VCSA
[U _{imp}] rated impulse withstand voltage	6 kV IEC 60947-1
Contact operation	Snap action
Operating force	32 N push-button
Short-circuit protection	12 A fuse protection cartridge aM
Rated power in hp	3 hp 240 V
Rated operational power in W	3000 W 240 V 3000 W 400 V

The information provided in this documentation contains general descriptions and/or technical characteristics of the performance of the products contained herein. This documentation is not intended as a substitute for and is not to be used for determining suitability or reliability of these products for specific user applications. It is the duty of any such user or integrator to perform the appropriate and complete risk analysis, evaluation and testing of the products with respect to the relevant specific application or use thereof. Neither Schneider Electric Industries SAS nor any of its affiliates or subsidiaries shall be responsible or liable for misuse of the information contained herein.

Electrical durability	1000000 Cycles AC-3, 3000 W 400 V 10 cyc/mn 0.4 IEC 60947-3 appendix A 1000000 Cycles AC-4, 3000 W 400 V 10 cyc/mn 0.4 IEC 60947-3 appendix A 700000 Cycles AC-3, 3000 W 240 V 10 cyc/mn 0.4 IEC 60947-3 appendix A 700000 cycles AC-4, 3000 W 240 V 10 cyc/mn 0.4 IEC 60947-3 appendix A
Terminals description ISO n°1	(13-14)NO (23-24)NO (63-64)NO (53-54)NO (73-74)NO (33-34)NO
Terminal identifier	(11-12)NC (13-14)NO
Net Weight	0.78 lb(US) (0.355 kg)

Ordering and shipping details

Category	22473 - PUSHBUTTON, PENDANTS
Discount Schedule	CS2
GTIN	3389110636161
Nbr. of units in pkg.	1
Package weight(Lbs)	30.86 oz (875 g)
Returnability	No
Country of origin	CZ

Packing Units

Unit Type of Package 1	PCE
Package 1 Height	4.53 in (11.5 cm)
Package 1 width	4.13 in (10.5 cm)
Package 1 Length	10.43 in (26.5 cm)
Unit Type of Package 2	S04
Number of Units in Package 2	10
Package 2 Weight	21.13 lb(US) (9.583 kg)
Package 2 Height	11.81 in (30 cm)
Package 2 width	15.75 in (40 cm)
Package 2 Length	23.62 in (60 cm)

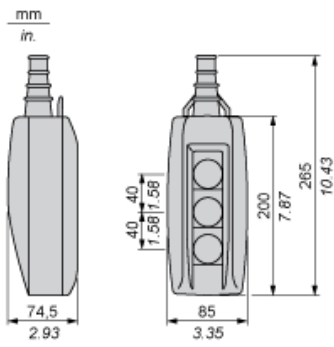
Offer Sustainability

California proposition 65	WARNING: This product can expose you to chemicals including: Nickel compounds, which is known to the State of California to cause cancer, and Di-isodecyl phthalate (DIDP), which is known to the State of California to cause birth defects or other reproductive harm. For more information go to www.P65Warnings.ca.gov
REACH Regulation	REACH Declaration
REACH free of SVHC	Yes
EU RoHS Directive	Pro-active compliance (Product out of EU RoHS legal scope) EU RoHS Declaration
Toxic heavy metal free	Yes
Mercury free	Yes
RoHS exemption information	Yes
China RoHS Regulation	China RoHS Declaration
WEEE	The product must be disposed on European Union markets following specific waste collection and never end up in rubbish bins.

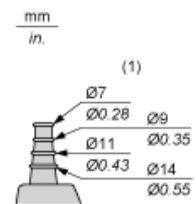
Contractual warranty

Warranty	18 months
----------	-----------

Dimensions



Protective cable sleeves



(1) Internal \emptyset

Control of Single-Speed Reversing Motor 3-Phase switching, Reversing by 2-Phase Inversion

With XESD2201 contact block, to be ordered separately

