



Wiring kit Electrical and mechanical complete for load feeders for reversing fuseless, Size S2 including mechanical connectors for 60 mm busbar systems with side modules

General technical data		
product brand name		SIRIUS
product designation		Wiring kit
design of the product		actuating voltage contactor: AC and DC
size of the circuit-breaker		S2
size of contactor		S2
Installation/ mounting/ dimensions		
fastening method		screw fixing
Certificates/ approvals		
General Product Approval		Declaration of Conformity



[Confirmation](#)



Test Certificates	Marine / Shipping
-------------------	-------------------

[Type Test Certificates/Test Report](#)

[Special Test Certificate](#)



Marine / Shipping	other	Railway
-------------------	-------	---------



[Confirmation](#)

[Vibration and Shock](#)

Further information

Information- and Downloadcenter (Catalogs, Brochures,...)

<https://www.siemens.com/ic10>

Industry Mall (Online ordering system)

<https://mall.industry.siemens.com/mall/en/en/Catalog/product?mfb=3RA2933-1DB1>

Cax online generator

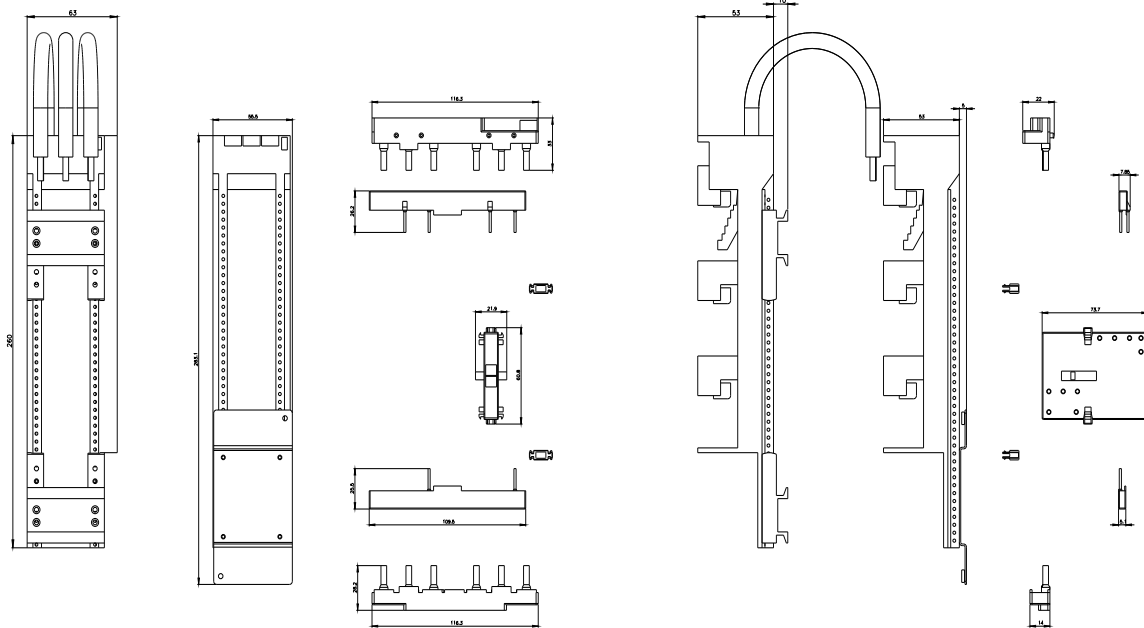
<http://support.automation.siemens.com/WW/CAXorder/default.aspx?lang=en&mfb=3RA2933-1DB1>

Service&Support (Manuals, Certificates, Characteristics, FAQs,...)

<https://support.industry.siemens.com/cs/ww/en/ps/3RA2933-1DB1>

Image database (product images, 2D dimension drawings, 3D models, device circuit diagrams, EPLAN macros, ...)

http://www.automation.siemens.com/bilddb/cax_de.aspx?mlfb=3RA2933-1DB1&lang=en



last modified:

12/21/2020 