

MODEL: CX-1612C | **DESCRIPTION:** MAGNETIC BUZZER INDICATOR

FEATURES

- magnetic indicator with pin mount
- 12 Vdc rating
- 2,200 Hz rated frequency


SPECIFICATIONS

parameter	conditions/description	min	typ	max	units
rated voltage			12.0		Vdc
operating voltage		8.0		16.0	Vdc
current consumption	at rated voltage			35	mA
rated frequency		1,900	2,200	2,500	Hz
sound pressure level	at 10 cm (A-weight), rated voltage	85	92		dB
dimensions	Ø16.0 x 14.0				mm
weight			4.6		g
material	PPO				
terminal	pin type (Au plating)				
operating temperature		-20		60	°C
storage temperature		-30		70	°C
washable	yes				
RoHS	yes				

Notes: 1. All specifications measured at 5-35°C, humidity at 45-85%, under 86-106kPa pressure, unless otherwise noted.

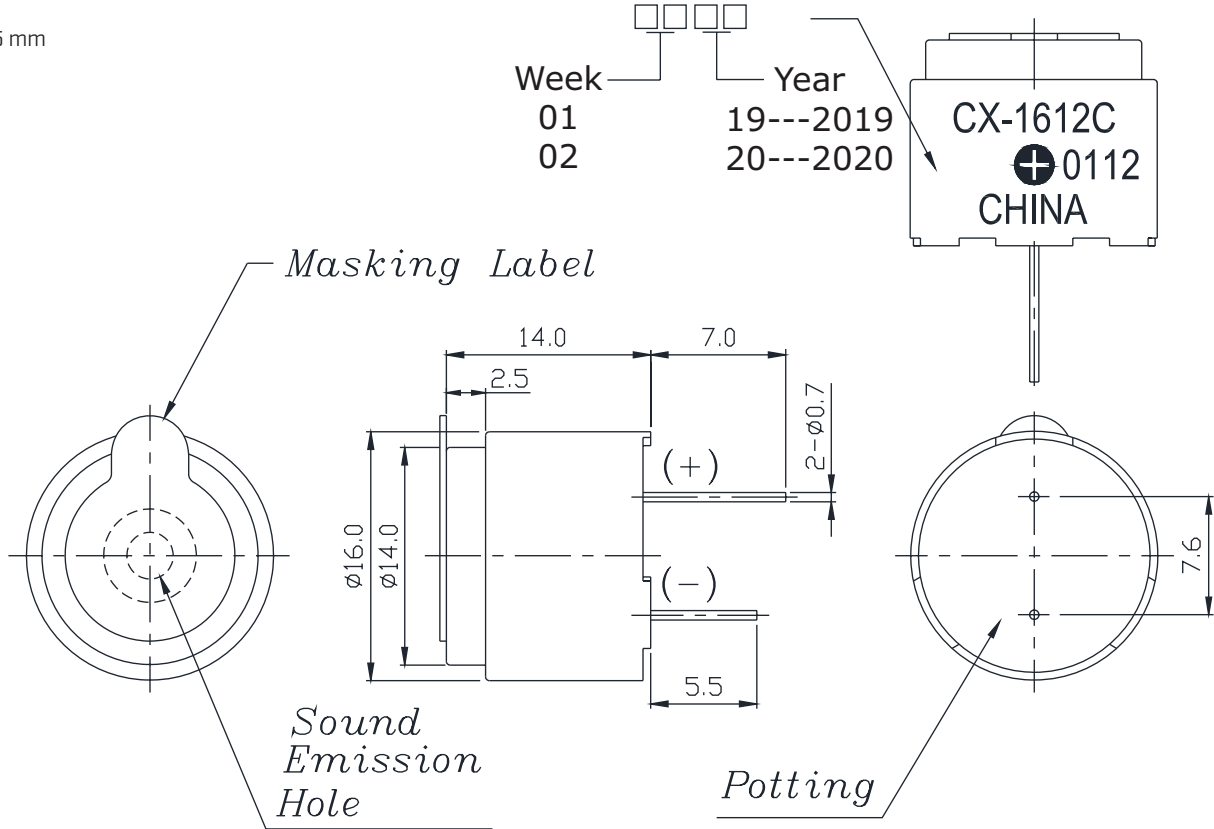
SOLDERABILITY

parameter	conditions/description	min	typ	max	units
hand soldering ²	for maximum 2 seconds	330		380	°C

Notes: 2. Not recommended for wave soldering

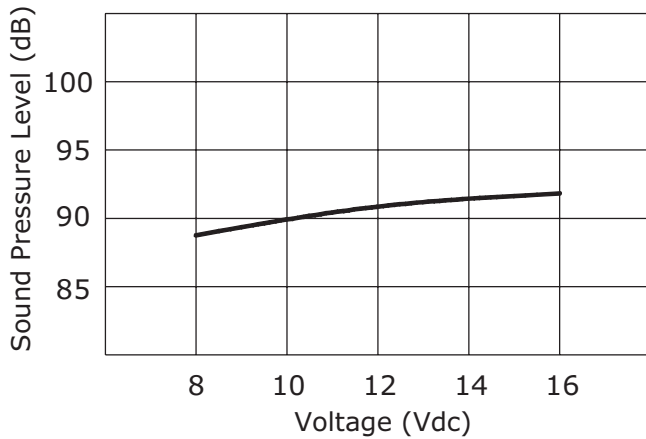
MECHANICAL DRAWING

units: mm
tolerance: ±0.5 mm

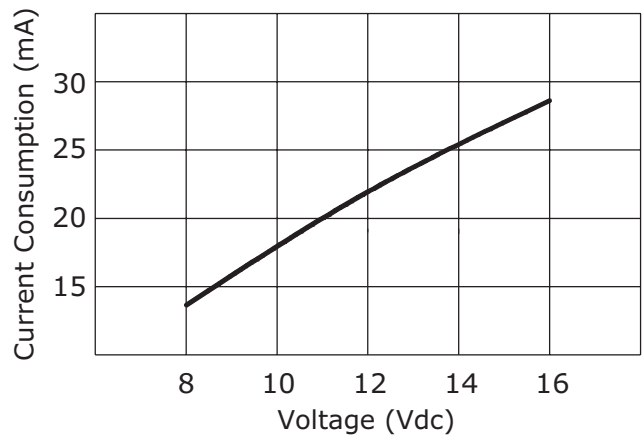


PERFORMANCE CURVES

Voltage vs. Sound Pressure Level
at 10 cm, 25°C



Voltage vs. Current Consumption
at 25°C



REVISION HISTORY

rev.	description	date
1.0	initial release	01/30/2006
1.01	brand update	01/14/2020
1.02	logo, datasheet style update	08/05/2022

The revision history provided is for informational purposes only and is believed to be accurate.



CUI Devices offers a one (1) year limited warranty. Complete warranty information is listed on our website.

CUI Devices reserves the right to make changes to the product at any time without notice. Information provided by CUI Devices is believed to be accurate and reliable. However, no responsibility is assumed by CUI Devices for its use, nor for any infringements of patents or other rights of third parties which may result from its use.

CUI Devices products are not authorized or warranted for use as critical components in equipment that requires an extremely high level of reliability. A critical component is any component of a life support device or system whose failure to perform can be reasonably expected to cause the failure of the life support device or system, or to affect its safety or effectiveness.

cuidevices.com