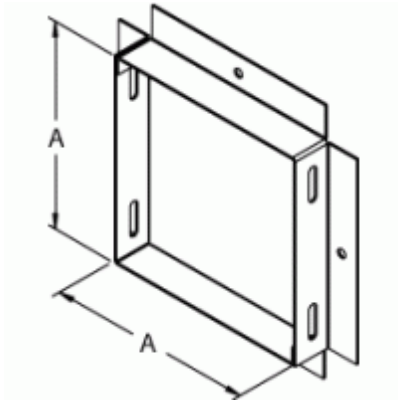




Quality Products. Service Excellence.

Adapter (Box Connector) CWAD Series



Painted Steel

Part No.	For use with
CWAD2	2.5 x 2.5
CWAD4	4 x 4
CWAD6	6 x 6
CWAD8	8 x 8
CWAD10	10 x 10
CWAD12	12 x 12

Unpainted Galvanized

Part No.	For use with
CWAD2G	2.5 x 2.5
CWAD4G	4 x 4
CWAD6G	6 x 6
CWAD8G	8 x 8
CWAD10G	10 x 10
CWAD12G	12 x 12

Tags: **box connector, seal, CW, wireway**

Data subject to change without notice

© 2023. Hammond Manufacturing Ltd. All rights reserved.