

MODEL: CUSA-T60-150-2400-TH | **DESCRIPTION:** ULTRASONIC SENSOR

FEATURES

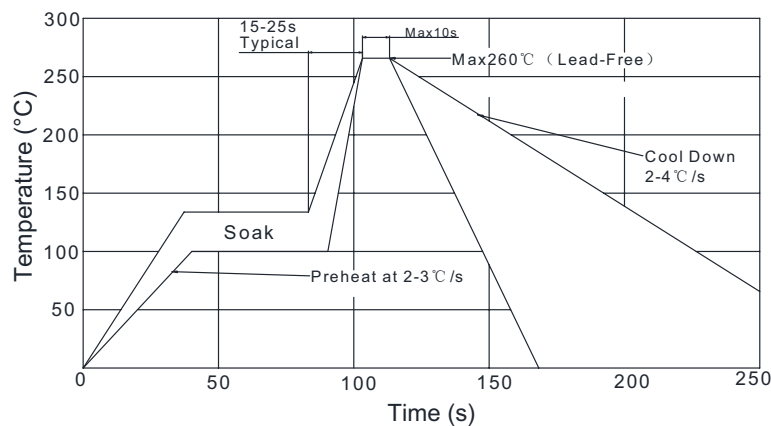
- aluminum can
- open type
- trasmitter
- detectable range 15 meters


SPECIFICATIONS

parameter	conditions/description	min	typ	max	units
type	transmitter				
operating voltage				60	Vp-p
frequency		39	40	41	kHz
sound pressure level	at 10 V, 30 cm, sine wave	115			dB
directivity	at -6dB	45	60	75	degree
capacitance	at 1 kHz	1,800	2,400	3,000	pF
detectable range				15	m
dimensions	Ø24 x 14				mm
material	aluminum				
terminal	pins (iron, copper with tin plating)				
weight			6		g
operating temperature		-20		80	°C
storage temperature		-20		80	°C
RoHS	yes				

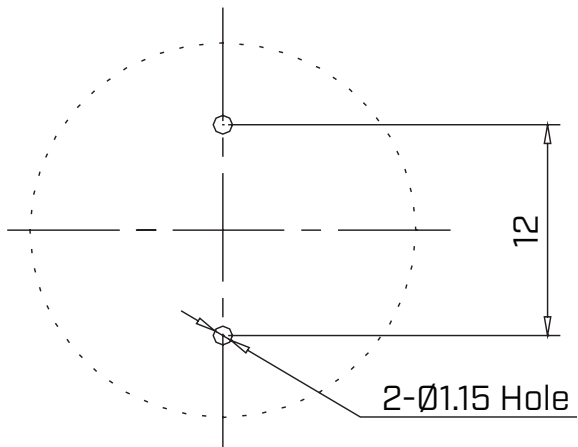
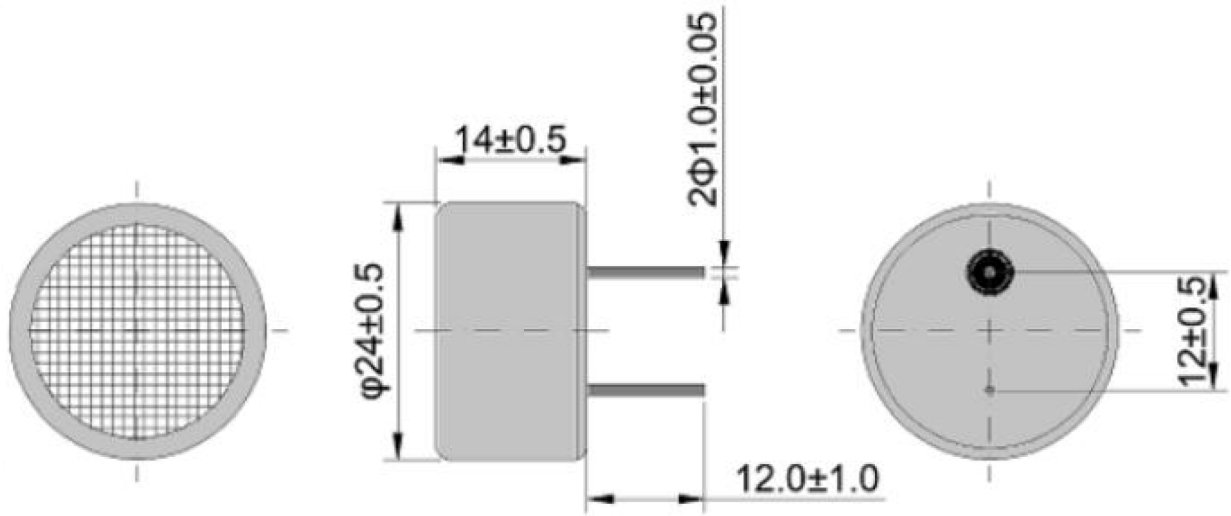
SOLDERABILITY

parameter	conditions/description	min	typ	max	units
wave soldering				260	°C



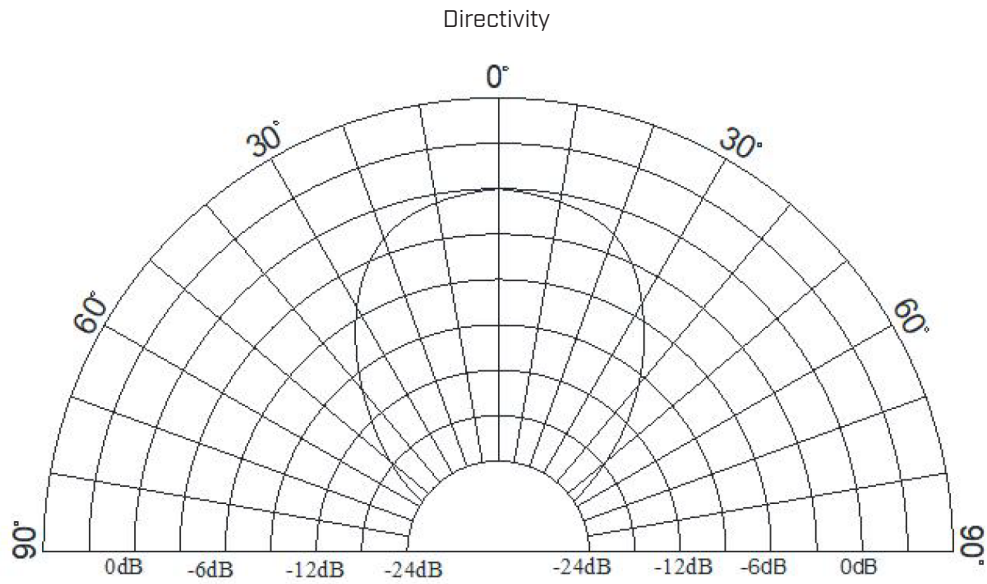
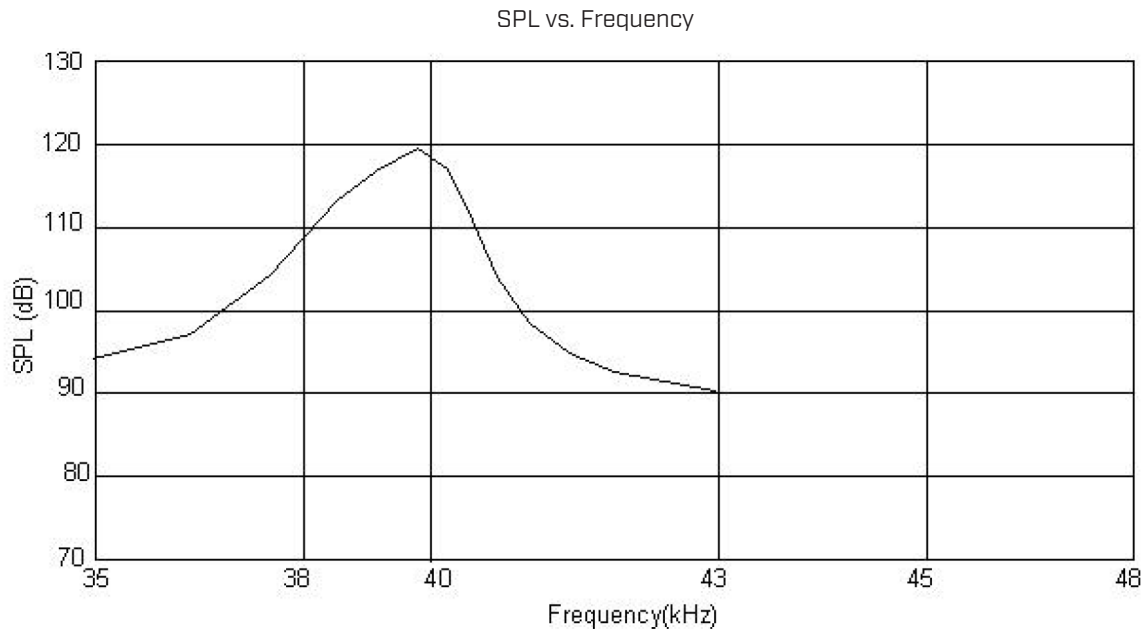
MECHANICAL DRAWING

units: mm



Recommended PCB Layout
Top View

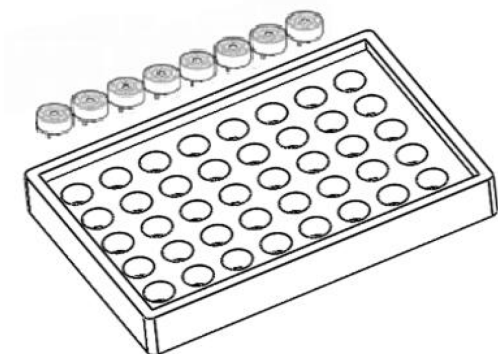
BEAM PATTERNS



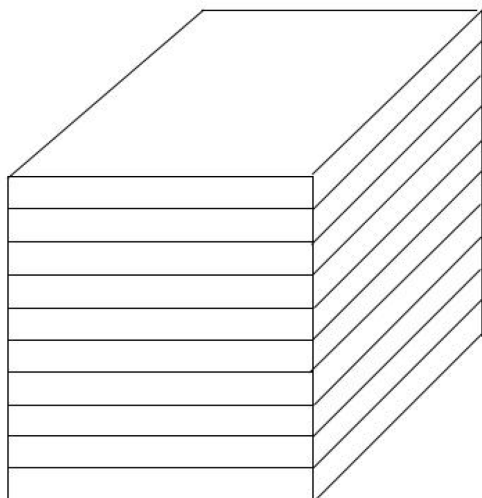
PACKAGING

units: mm

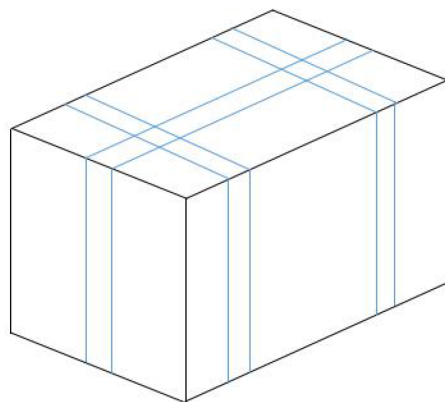
Tray Size: 220 x 150 x 30 mm
Tray QTY: 40 pcs per tray
Carton Size: 460 x 320 x 330 mm
Carton QTY: 1,600 pcs per carton



40PCS/BOX
BOX SIZE:22*15*3CM



10BOXES/STACK, TOTAL 400PCS
STACK SIZE:22*15*31CM



1600PCS/CARTON
CARTON SIZE:46*32*33CM

REVISION HISTORY

rev.	description	date
1.0	initial release	05/18/2022
1.01	logo, datasheet style update	08/05/2022

The revision history provided is for informational purposes only and is believed to be accurate.



CUI Devices offers a one (1) year limited warranty. Complete warranty information is listed on our website.

CUI Devices reserves the right to make changes to the product at any time without notice. Information provided by CUI Devices is believed to be accurate and reliable. However, no responsibility is assumed by CUI Devices for its use, nor for any infringements of patents or other rights of third parties which may result from its use.

CUI Devices products are not authorized or warranted for use as critical components in equipment that requires an extremely high level of reliability. A critical component is any component of a life support device or system whose failure to perform can be reasonably expected to cause the failure of the life support device or system, or to affect its safety or effectiveness.

cuidevices.com