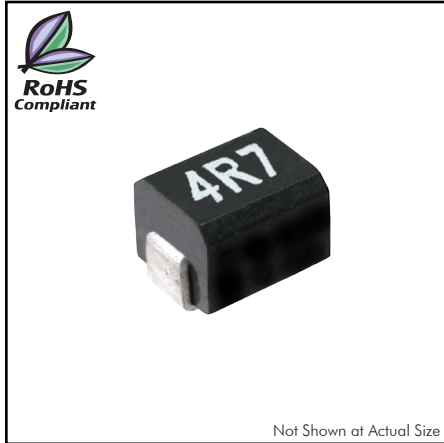


CTMC1210SF Series

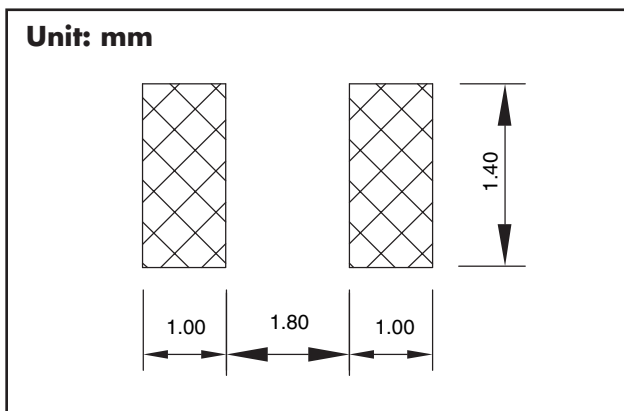
From 0.12 μ H to 150 μ H



CHARACTERISTICS

- Description:** Ferrite core, wire-wound chip inductor
- Applications:** TV's, mobile phones, disk drives, computer peripherals, telecommunication devices, and electronic control boards for automobiles
- Inductance Tolerance:** $\pm 5\%$, $\pm 10\%$, $\pm 20\%$
- Moisture Sensitivity Level (MSL):** 1
- Operating Temperature:** -40°C to 125°C (Temp. rise included)
- Storage Temperature:** -40°C to 125°C
- Terminal Pull Strength:** 1.5kg min.
- Rated Current:** Current cause inductance drop within 10%
- Resistance to Solder Heat:** 260°C .10 secs.
- Resistance to Solvent:** Per MIL-STD-202F
- Packaging:** Tape & Reel
- Part Marking:** Inductance code or inductance code plus tolerance
- Miscellaneous:** RoHS compliant
- Samples available. See website for ordering information.**

PAD LAYOUT



SPECIFICATIONS

Please specify tolerance code when ordering.
 CTMC1210SF-1R0_ ← J = $\pm 5\%$, K = $\pm 10\%$, M = $\pm 20\%$
 * K or M only

Part Number	Inductance (μ H)	L/Q Test Freq. (MHz)	Q Fact. Min.	SRF Typ. (MHz)	DCR Max. (Ω)	Rated DC Max. (mA)
CTMC1210SF-R12_*	0.12	25.2	30	875	0.22	450
CTMC1210SF-R15_*	0.15	25.2	30	860	0.25	450
CTMC1210SF-R18_*	0.18	25.2	30	685	0.28	450
CTMC1210SF-R22_*	0.22	25.2	30	560	0.32	450
CTMC1210SF-R27_*	0.27	25.2	30	525	0.36	450
CTMC1210SF-R33_*	0.33	25.2	30	520	0.40	450
CTMC1210SF-R39_*	0.39	25.2	30	470	0.45	450
CTMC1210SF-R47_*	0.47	25.2	30	430	0.50	450
CTMC1210SF-R56_*	0.56	25.2	30	395	0.55	450
CTMC1210SF-R68_*	0.68	25.2	30	370	0.60	450
CTMC1210SF-R82_*	0.82	25.2	30	310	0.65	450
CTMC1210SF-1R0_	1.00	7.96	30	295	0.70	400
CTMC1210SF-1R2_	1.20	7.96	30	255	0.75	390
CTMC1210SF-1R5_	1.50	7.96	30	160	0.85	370
CTMC1210SF-1R8_	1.80	7.96	30	125	0.90	350
CTMC1210SF-2R2_	2.20	7.96	30	100	1.00	320
CTMC1210SF-2R7_	2.70	7.96	30	65	1.10	290
CTMC1210SF-3R3_	3.30	7.96	30	55	1.20	260
CTMC1210SF-3R9_	3.90	7.96	30	50	1.30	250
CTMC1210SF-4R7_	4.70	7.96	30	45	1.50	220
CTMC1210SF-5R6_	5.60	7.96	30	40	1.60	200
CTMC1210SF-6R8_	6.80	7.96	30	35	1.80	180
CTMC1210SF-8R2_	8.20	7.96	30	30	2.00	170
CTMC1210SF-100_	10	2.52	30	30	2.10	150
CTMC1210SF-120_	12	2.52	30	28	2.50	140
CTMC1210SF-150_	15	2.52	30	25	2.80	130
CTMC1210SF-180_	18	2.52	30	22	3.30	120
CTMC1210SF-220_	22	2.52	30	19	3.70	110
CTMC1210SF-270_	27	2.52	30	18	5.00	80
CTMC1210SF-330_	33	2.52	30	17	5.60	70
CTMC1210SF-390_	39	2.52	30	15	6.40	65
CTMC1210SF-470_	47	2.52	30	14	7.00	60
CTMC1210SF-560_	56	2.52	30	13	8.00	55
CTMC1210SF-680_	68	2.52	30	11	9.00	50
CTMC1210SF-820_	82	2.52	30	10	10.00	45
CTMC1210SF-101_	100	0.796	20	9	11.00	40
CTMC1210SF-121_	120	0.796	20	8	11.00	70
CTMC1210SF-151_	150	0.796	20	7	15.00	65

PHYSICAL DIMENSIONS

Size	A	B	C	D	E	F
mm	3.2 \pm 0.4	2.50 \pm 0.2	2.20 \pm 0.2	1.00 \pm 0.2	2.9 \pm 0.2	0.60 $^{+0.3}_{-0.0}$
inches	0.13 \pm 0.016	0.10 \pm 0.008	0.09 \pm 0.008	0.04 \pm 0.008	0.11 \pm 0.008	0.02 $^{+0.01}_{-0.0}$

