

CTLQ1210LF Series

From 0.15 μ H to 10 μ H



SPECIFICATIONS

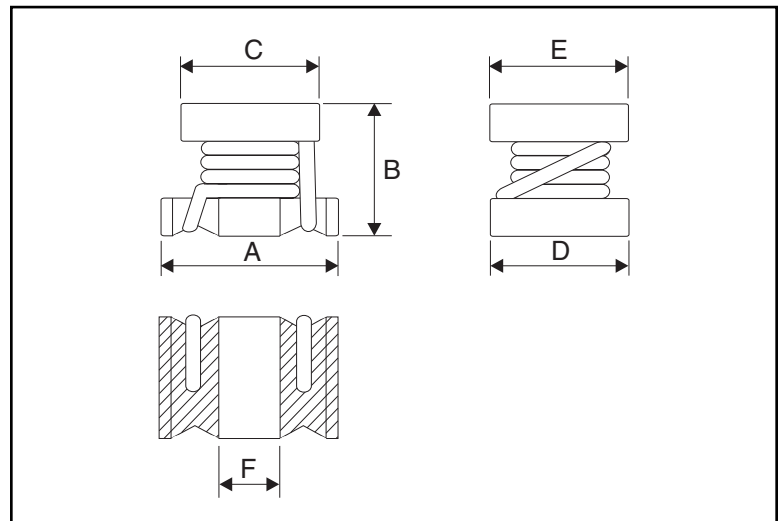
Please specify tolerance code when ordering.
 CTLQ1210LF-100 ← K = \pm 10%, M = \pm 20%

*Rated DC: Self temperature rise shall be limited to 35°C Max. Inductance drop 10% Typ.

Part Number	Inductance (μ H)	Test Freq. (MHz)	DCR (Ω) \pm 30%	SRF (MHz) Min.	*Rated DC (mA) Max
CTLQ1210LF-R15M	0.15	1.0	0.028	400	1450
CTLQ1210LF-R27M	0.27	1.0	0.034	250	1250
CTLQ1210LF-R47M	0.47	1.0	0.042	150	1100
CTLQ1210LF-1R0M	1.0	1.0	0.060	100	1000
CTLQ1210LF-1R5M	1.5	1.0	0.063	85	900
CTLQ1210LF-2R2M	2.2	1.0	0.097	64	790
CTLQ1210LF-3R3M	3.3	1.0	0.13	55	700
CTLQ1210LF-4R7M	4.7	1.0	0.15	43	650
CTLQ1210LF-6R8M	6.8	1.0	0.21	30	600
CTLQ1210LF-100_	10	1.0	0.30	26	450

PHYSICAL DIMENSIONS

Size	A	B	C	D	E	F Min.
mm	3.2 \pm 0.3	2.0 \pm 0.2	2.5 \pm 0.2	2.5 \pm 0.2	2.5 \pm 0.2	0.7
inches	0.13 \pm 0.01	0.08 \pm 0.008	0.10 \pm 0.008	0.10 \pm 0.008	0.10 \pm 0.008	0.03



CHARACTERISTICS

Description: SMD wire-wound chip inductors

Applications: Power supplies for OA equipment, LCD televisions, PC notebooks, portable communication equipment, DC/DC converters, etc.

Operating Temperature: -25°C to +125°C

Inductance Tolerance: K = \pm 10% & M = \pm 20%

Packaging: Tape & Reel.

Miscellaneous: RoHS Compliant.

Testing: Tested on a HP4285A @ specified frequency.

Pads: Soft copper and pre-tinned.

Additional Information: Additional electrical & physical information available upon request

Samples available. See website for ordering information.

PAD LAYOUT

