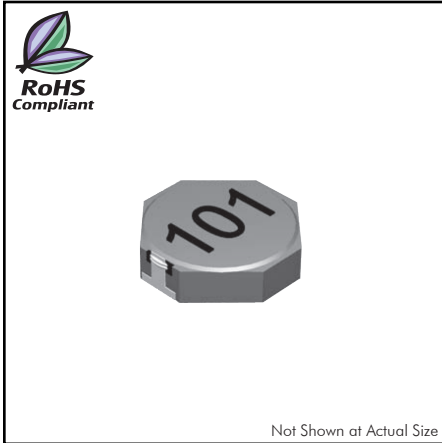


CTCDRH8D28F Series

From 1.0 μ H to 100 μ H



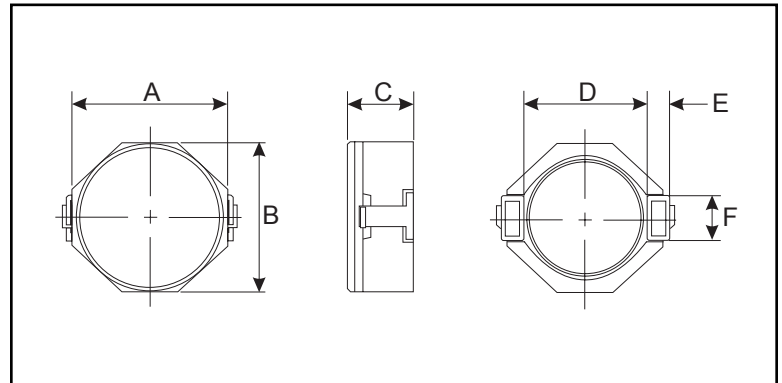
SPECIFICATIONS

Parts are available in $\pm 30\%$ inductance tolerance only.

Part Number	Inductance (μ H)	L Test Freq. (kHz)	DCR Max. (m Ω)	Rated DC Current (A)
CTCDRH8D28F-1R0N	1.0	100	11	6.5
CTCDRH8D28F-2R5N	2.5	100	14	4.5
CTCDRH8D28F-3R3N	3.3	100	18	4.0
CTCDRH8D28F-4R7N	4.7	100	24	3.4
CTCDRH8D28F-7R3N	7.3	100	38	2.8
CTCDRH8D28F-100N	10	100	42	2.3
CTCDRH8D28F-150N	15	100	66	1.9
CTCDRH8D28F-220N	22	100	95	1.6
CTCDRH8D28F-330N	33	100	150	1.3
CTCDRH8D28F-470N	47	100	190	1.15
CTCDRH8D28F-680N	68	100	280	0.92
CTCDRH8D28F-101N	100	100	410	0.75

PHYSICAL DIMENSIONS

Size	A Max.	B Max.	C Max.	D	E	F
mm	8.3	8.3	3.0	6.3	1.2	2.5
inches	0.327	0.327	0.118	0.248	0.047	0.098



CHARACTERISTICS

Description: SMD (shielded) power inductor

Applications: Power supplies for OA equipment, LCD televisions, PC notebooks, portable communication equipment, DC/DC converters, etc.

Operating Temperature: -30°C to +100°C

Rated DC Current: The rated D.C. current indicates the value of current when the inductance is 65% more than its nominal value and temperature rising $\Delta T = 40^\circ\text{C}$ lower at D.C. superposition

Inductance Tolerance: $\pm 30\%$

Testing: Tested on an HP4285A at 100kHz, 0.25Vrms, 0Adc

Packaging: Tape & Reel

Marking: Parts are marked with inductance code

Miscellaneous: RoHS Compliant

Additional Information: Additional electrical & physical information available upon request

Samples available. See website for ordering information.

PAD LAYOUT

