


MODEL: CST-934AS | **DESCRIPTION:** MAGNETIC BUZZER TRANSDUCER

FEATURES

- magnetic transducer with spring mount
- 95 dB SPL
- 2,730 Hz rated frequency

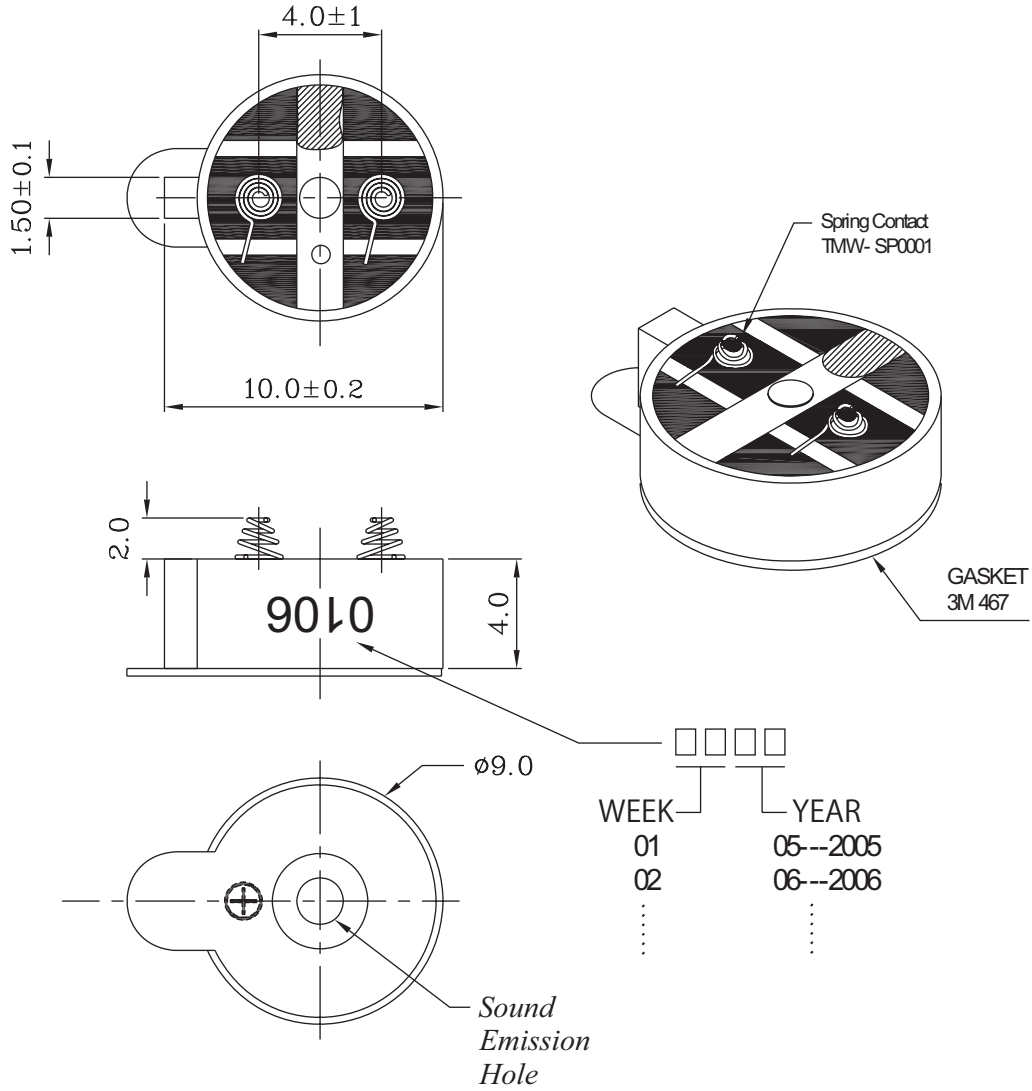

SPECIFICATIONS

parameter	conditions/description	min	typ	max	units
rated voltage			3.0		Vo-p
operating voltage		2.0		4.5	Vo-p
current consumption	at rated voltage, 2,730 Hz, ½ duty square wave			80	mA
rated frequency			2,730		Hz
sound pressure level	at 5 cm, rated voltage, 2,730 Hz, ½ duty square wave [A-weighted]	90	95		dB
coil resistance		17	20	23	Ω
dimensions	∅9.0 x 4.0				mm
weight			1.0		g
material	PPD (black)				
terminal	spring(gold plating)				
operating temperature		-20		60	°C
storage temperature		-30		70	°C
washable	no				
RoHS	yes				

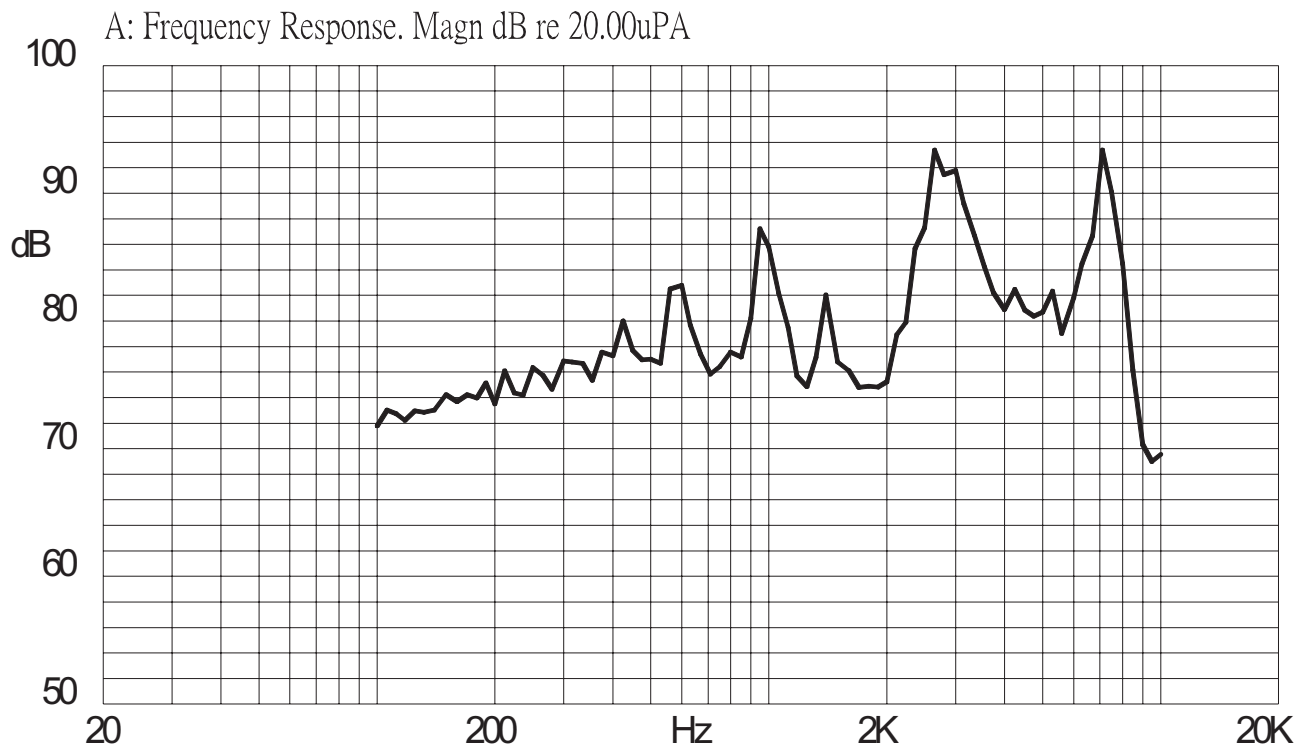
Notes: 1. All specifications measured at 25±2°C, humidity at 60-70%, under 86-106 kPa pressure, unless otherwise noted.

MECHANICAL DRAWING

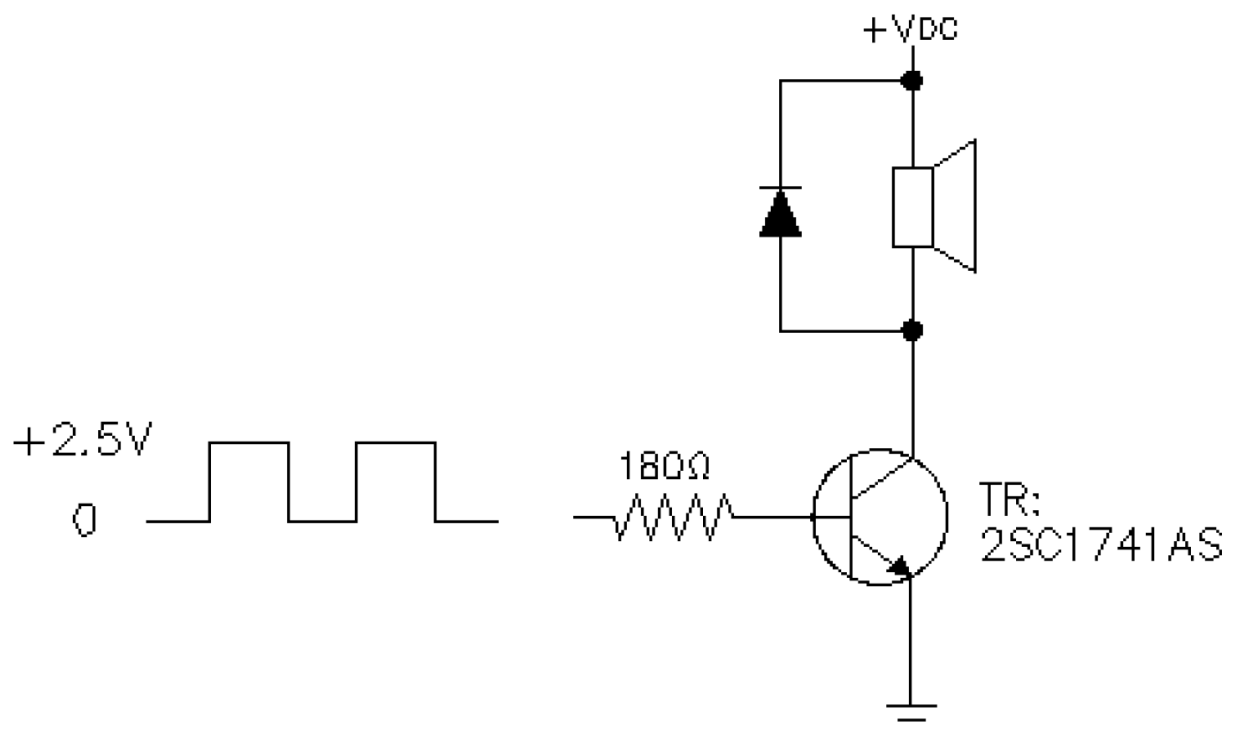
units: mm
tolerance: ± 0.5 mm



FREQUENCY RESPONSE CURVE



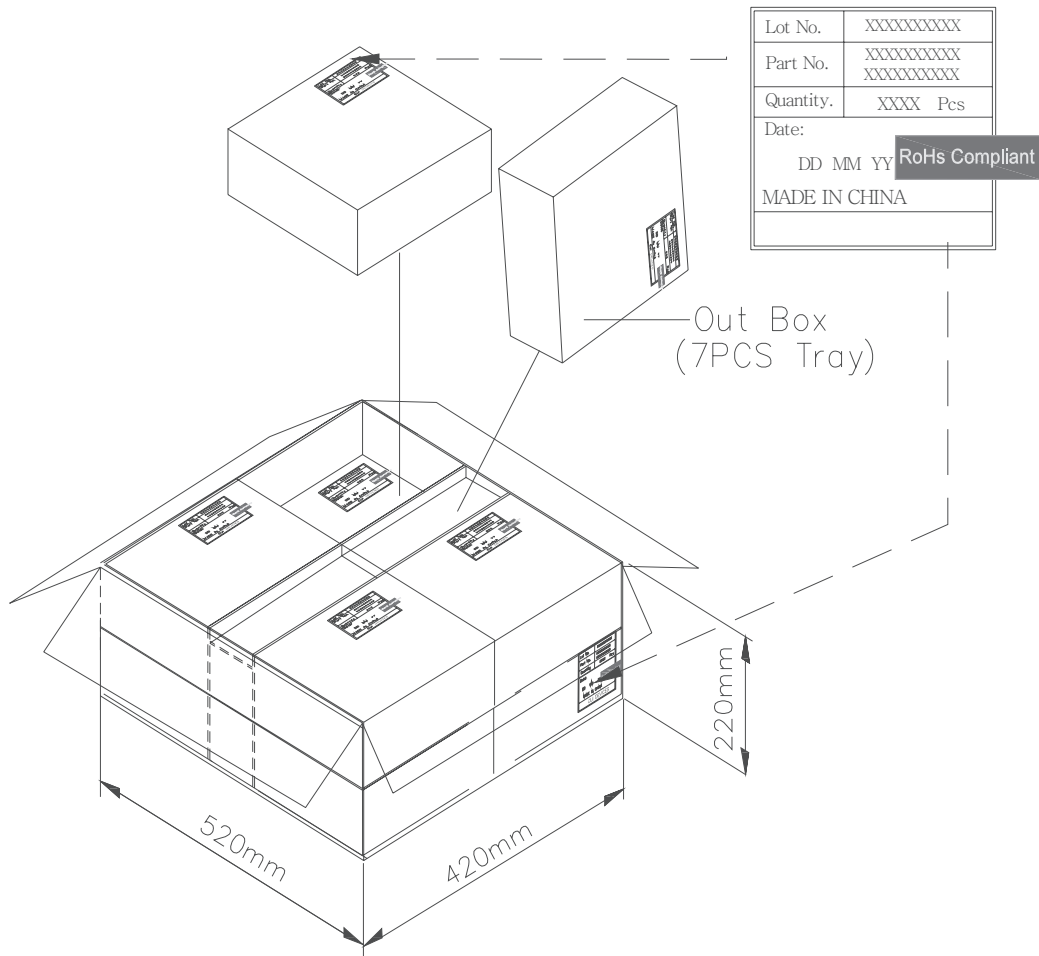
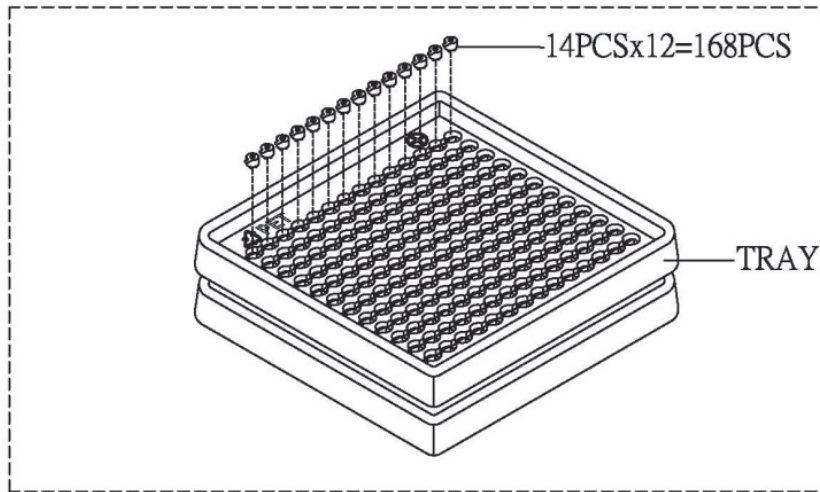
APPLICATION CIRCUIT



PACKAGING

units: mm

Tray Size: 184 x 184 x 23 mm
 Tray QTY: 168 pcs per tray
 Carton Size: 520 x 420 x 220 mm
 Carton QTY: 11,760 pcs per carton



REVISION HISTORY

rev.	description	date
1.0	initial release	03/23/2006
1.01	brand update	02/17/2022
1.02	updated packaging	05/03/2022
1.03	logo, datasheet style update	08/05/2022

The revision history provided is for informational purposes only and is believed to be accurate.



CUI Devices offers a one (1) year limited warranty. Complete warranty information is listed on our website.

CUI Devices reserves the right to make changes to the product at any time without notice. Information provided by CUI Devices is believed to be accurate and reliable. However, no responsibility is assumed by CUI Devices for its use, nor for any infringements of patents or other rights of third parties which may result from its use.

CUI Devices products are not authorized or warranted for use as critical components in equipment that requires an extremely high level of reliability. A critical component is any component of a life support device or system whose failure to perform can be reasonably expected to cause the failure of the life support device or system, or to affect its safety or effectiveness.

cuidevices.com