

**MODEL:** CSS-878731-58 | **DESCRIPTION:** SPEAKER**FEATURES**

- 5 W rated power
- 8 ohm rated impedance
- 95 dB at 1 W

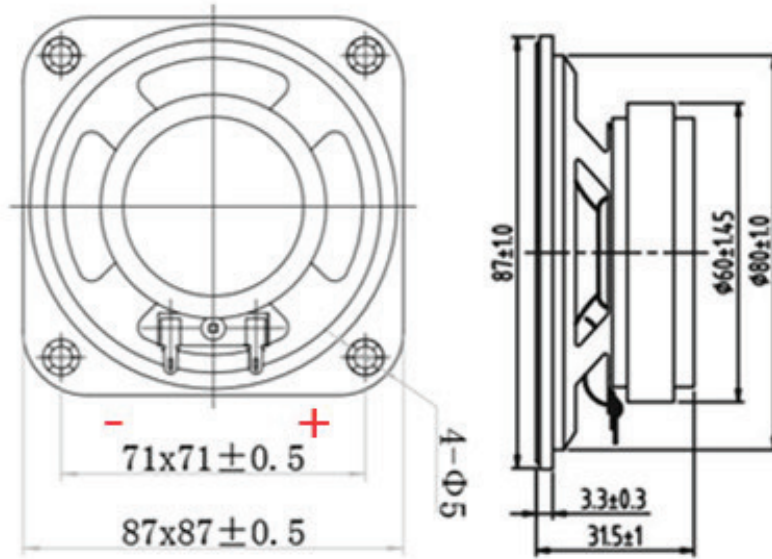
**SPECIFICATIONS**

parameter	conditions/description	min	typ	max	units
input power			5.0	8.0	W
impedance	at 1.0 kHz, 1.0 V	6.8	8	9.2	$\Omega$
resonant frequency (Fo)	at 1.0 V	440	550	660	Hz
frequency response		Fo		10,000	Hz
sound pressure level	at 1.0 W, 50 cm, at 1.0 kHz in baffleboard	92	95	98	dB
	at 5.0 W, 50 cm, at 1.0 kHz in baffleboard	98	101	104	dB
distortion	at 1.0 kHz, 1 W			8	%
buzz, rattle, etc.	must be normal at sine wave, frequency range between Fo~2 kHz			6.32	V
polarity	cone moves forward w/ positive dc current to "+" terminal				
dimensions	87 x 87 x 31.5				mm
magnet	ferrite				
frame material	SPCC				
cone material	PET				
terminal	solder terminals				
weight		225	250	275	g
operating temperature		-20		60	$^{\circ}\text{C}$
storage temperature		-25		70	$^{\circ}\text{C}$
hand soldering	for maximum 3 seconds			380	$^{\circ}\text{C}$
RoHS	yes				

Notes: 1. All specifications measured at 15-35 $^{\circ}\text{C}$ , humidity at 45-85%, under 86-106 kPa pressure, unless otherwise noted.

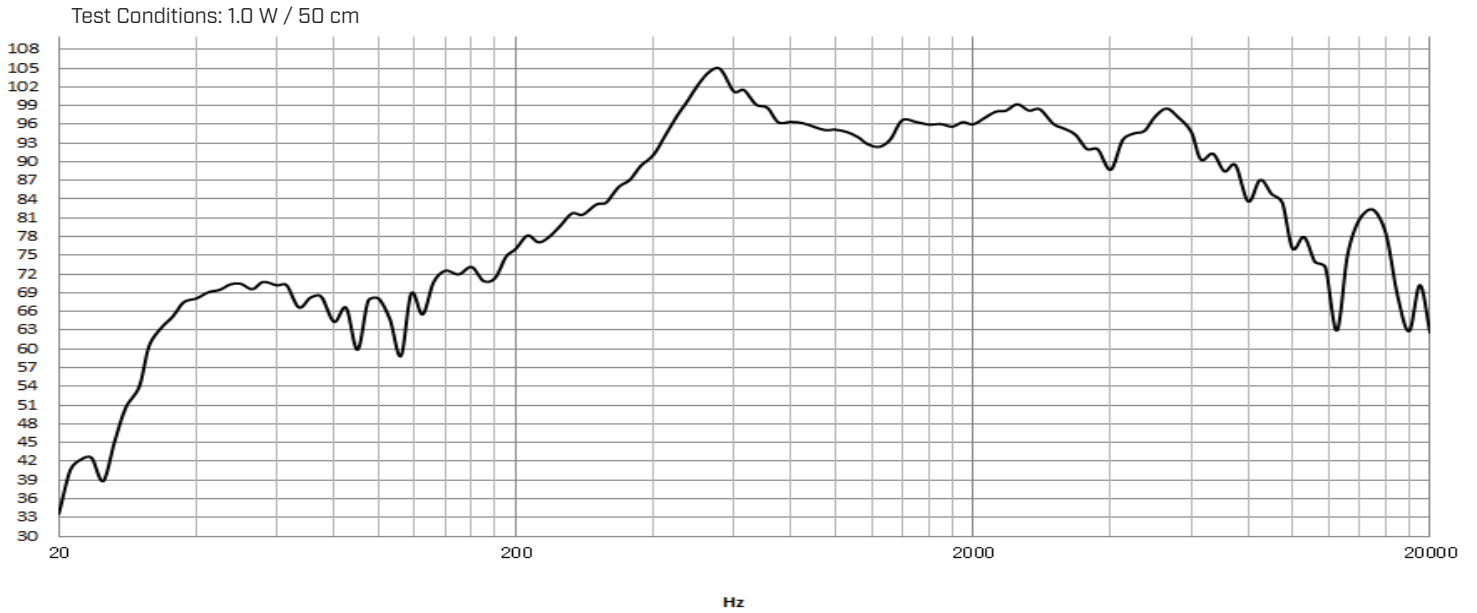
## MECHANICAL DRAWING

units: mm  
tolerance:  $\pm 0.3$  mm

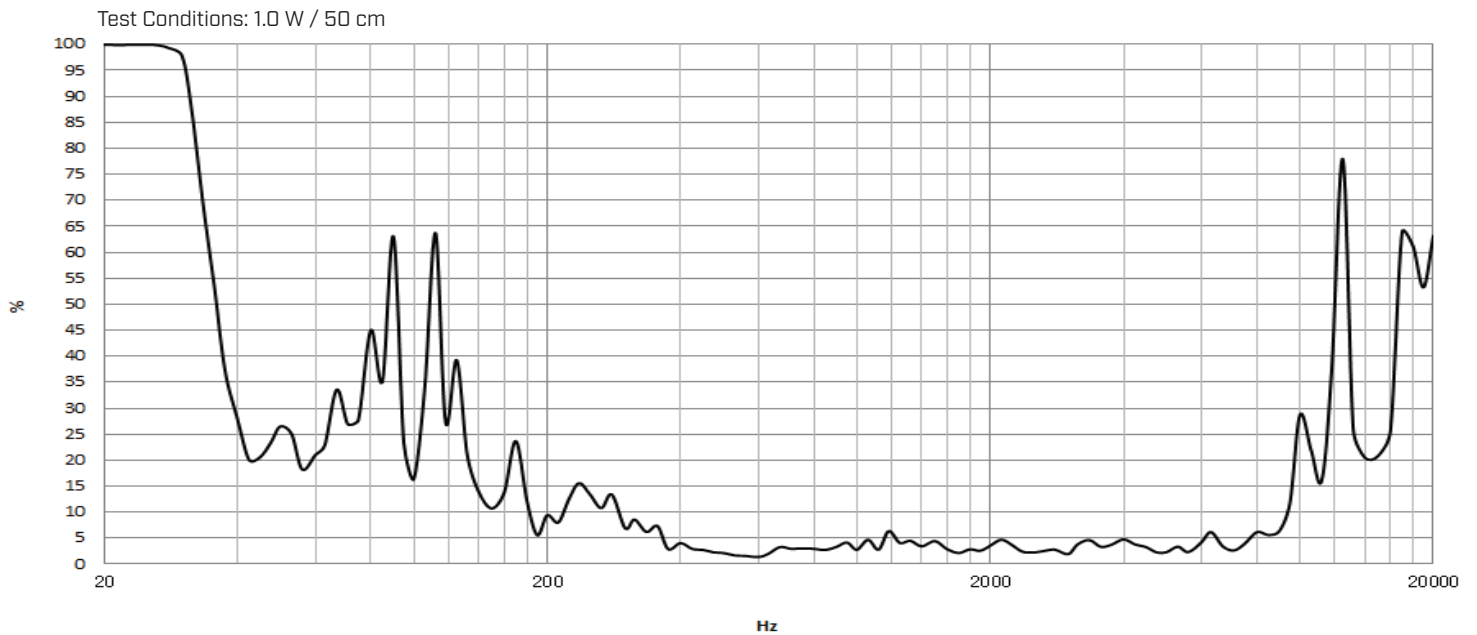


## RESPONSE CURVES

### Frequency Response Curve



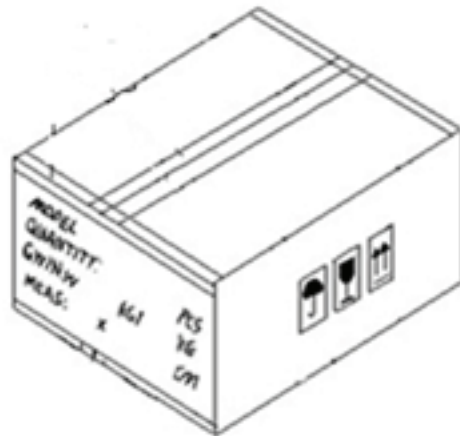
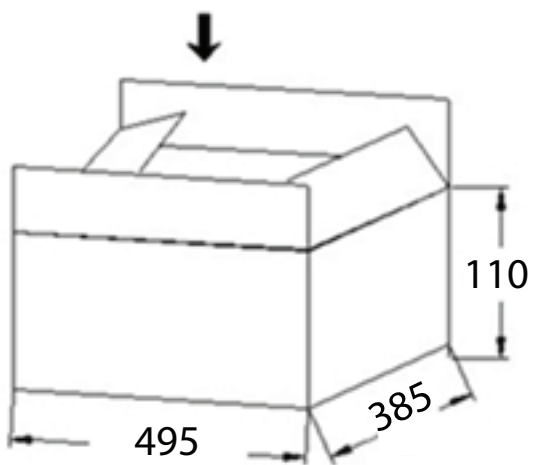
### Total Harmonic Distortion Curve



## PACKAGING

units: mm

Carton Size: 495 x 385 x 110 mm  
Carton QTY: 50 pcs per carton



## REVISION HISTORY

rev.	description	date
1.0	initial release	07/16/2020
1.01	logo, datasheet style update	08/05/2022

The revision history provided is for informational purposes only and is believed to be accurate.



CUI Devices offers a one (1) year limited warranty. Complete warranty information is listed on our website.

CUI Devices reserves the right to make changes to the product at any time without notice. Information provided by CUI Devices is believed to be accurate and reliable. However, no responsibility is assumed by CUI Devices for its use, nor for any infringements of patents or other rights of third parties which may result from its use.

CUI Devices products are not authorized or warranted for use as critical components in equipment that requires an extremely high level of reliability. A critical component is any component of a life support device or system whose failure to perform can be reasonably expected to cause the failure of the life support device or system, or to affect its safety or effectiveness.

[cuidevices.com](http://cuidevices.com)