



Lithium Primary - CR2

- Reliable energy for your application
- Standard cells and customized packs
- ESD protection
- UL recognized
- Battery Certification Experts



RoHS compliant



Pb free



REACH compliant



Conflict mineral free

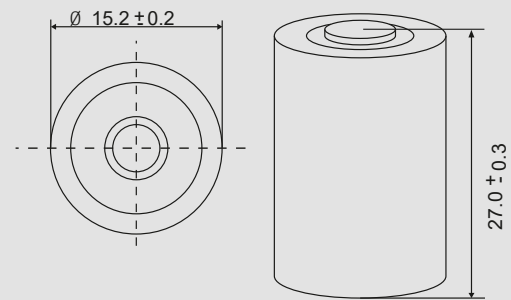
Technical Data Sheet · CR2

SPECIFICATIONS

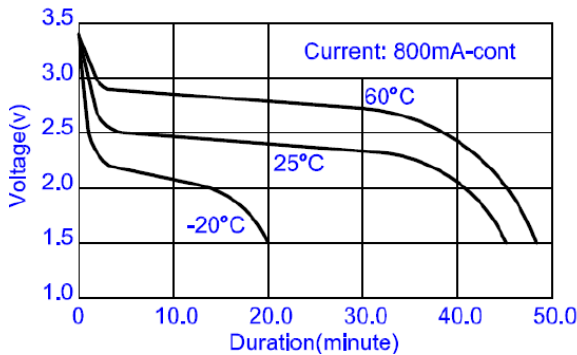
| | |
|---------------------------|---------------------|
| Nominal Voltage | 3V |
| Jauch part number | 245718 |
| Nominal Capacity | 850 mAh |
| Continuous Standard Load | 10 mA |
| Max. Continuous Discharge | 800 mA |
| Max. Pulse Current | 1500 mA |
| Operating Temperature | -40 °C to +70 °C* |
| Weight | Approx. 11.0g |
| Chemistry | Li/MnO ₂ |

* In applications where the battery is exposed to temperatures >60°C, please contact Jauch.

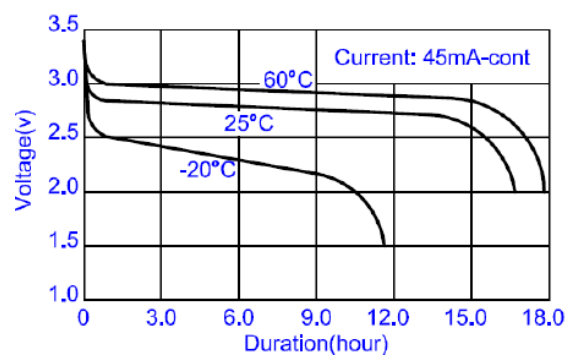
DIMENSIONS (mm)



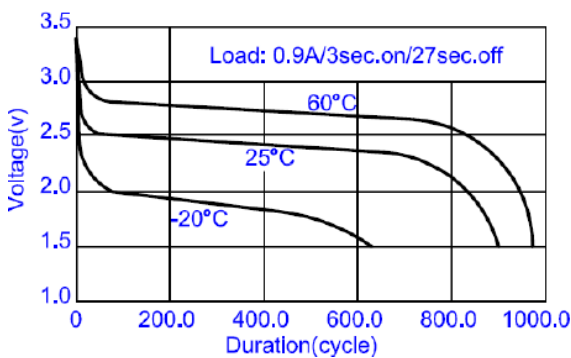
DISCHARGE CHARACTERISTICS



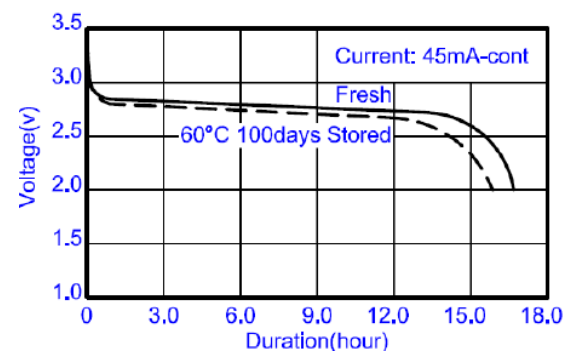
DISCHARGE CHARACTERISTICS



PULSE DISCHARGE CHARACTERISTICS



DISCHARGE CHARACTERISTICS



Wide assortment of mounting options, including through hole, surface mount and wire terminals. Contact Jauch for more information

batterytechnology@jauch.com