

**MODEL:** CPI-148-24-90T-67 | **DESCRIPTION:** PIEZO BUZZER INDICATOR**FEATURES**

- 24 Vdc rated
- 90 dB
- continuous tone
- IP67

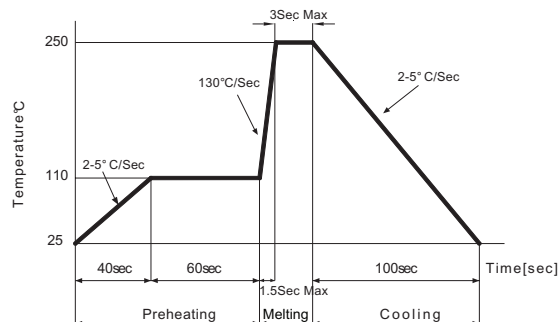
**SPECIFICATIONS**

parameter	conditions/description	min	typ	max	units
rated voltage			24		Vdc
operating voltage		15		28	Vdc
current consumption	at rated voltage			20	mA
rated frequency		3,600	4,100	4,600	Hz
sound pressure level	at 10 cm, rated voltage	90			dB
tone	continuous				
dimensions	Ø13.9 x 7.5				mm
weight				1.05	g
material	PBT (black)				
terminal	pins (gold plating)				
operating temperature		-40		85	°C
storage temperature		-40		90	°C
washable	yes				
RoHS	yes				
IP level	IP67				

Notes: 1. All specifications measured at 25±3°C, humidity at 60-70%, under 86-106 kPa pressure, unless otherwise noted.

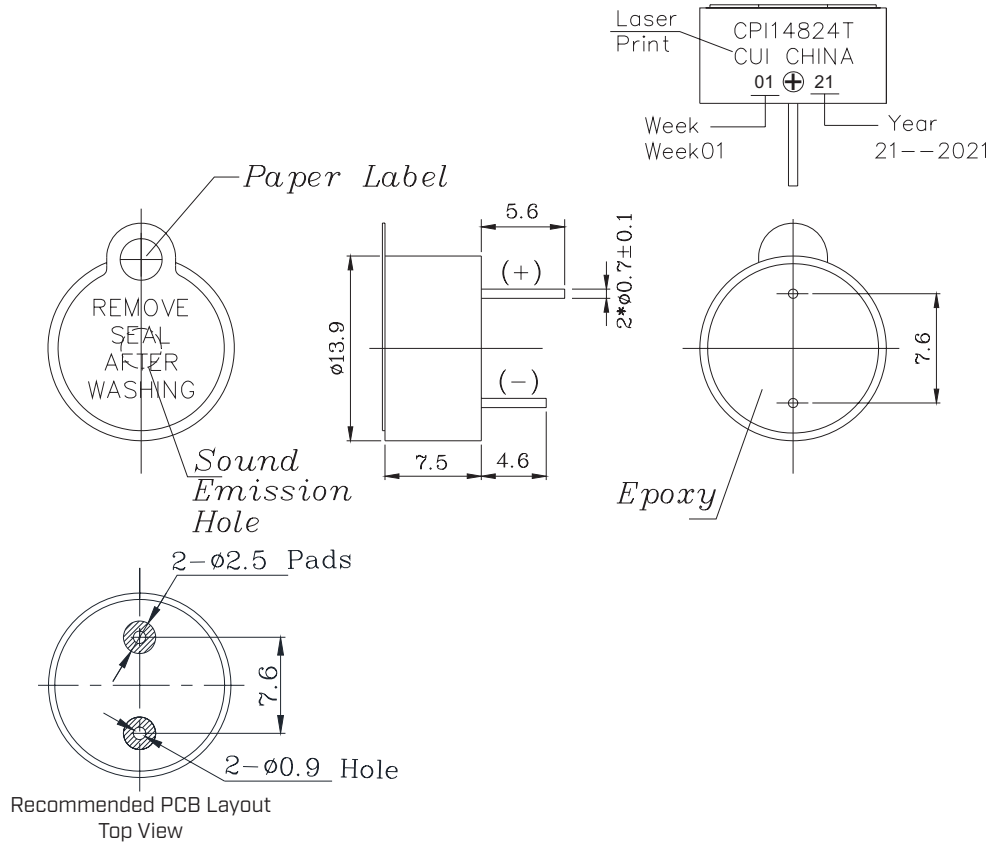
**SOLDERABILITY**

parameter	conditions/description	min	typ	max	units
hand soldering	for maximum 2 seconds	330		380	°C
wave soldering	see recommended wave soldering profile			250	°C

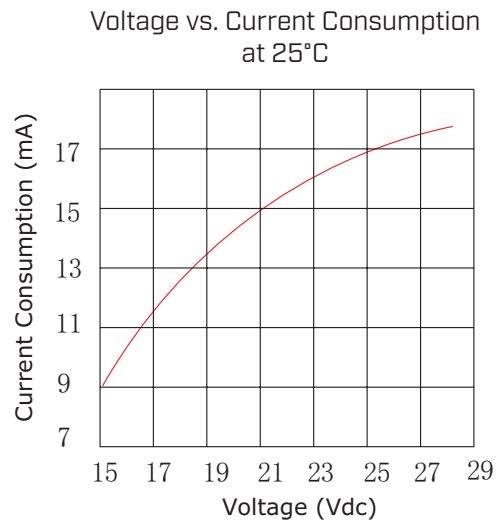
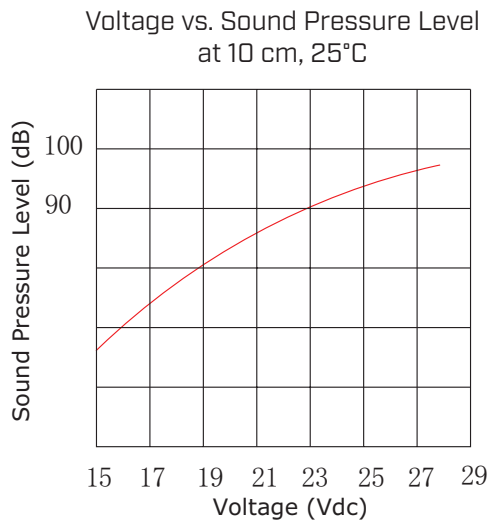


## MECHANICAL DRAWING

units: mm  
tolerance: ±0.5 mm



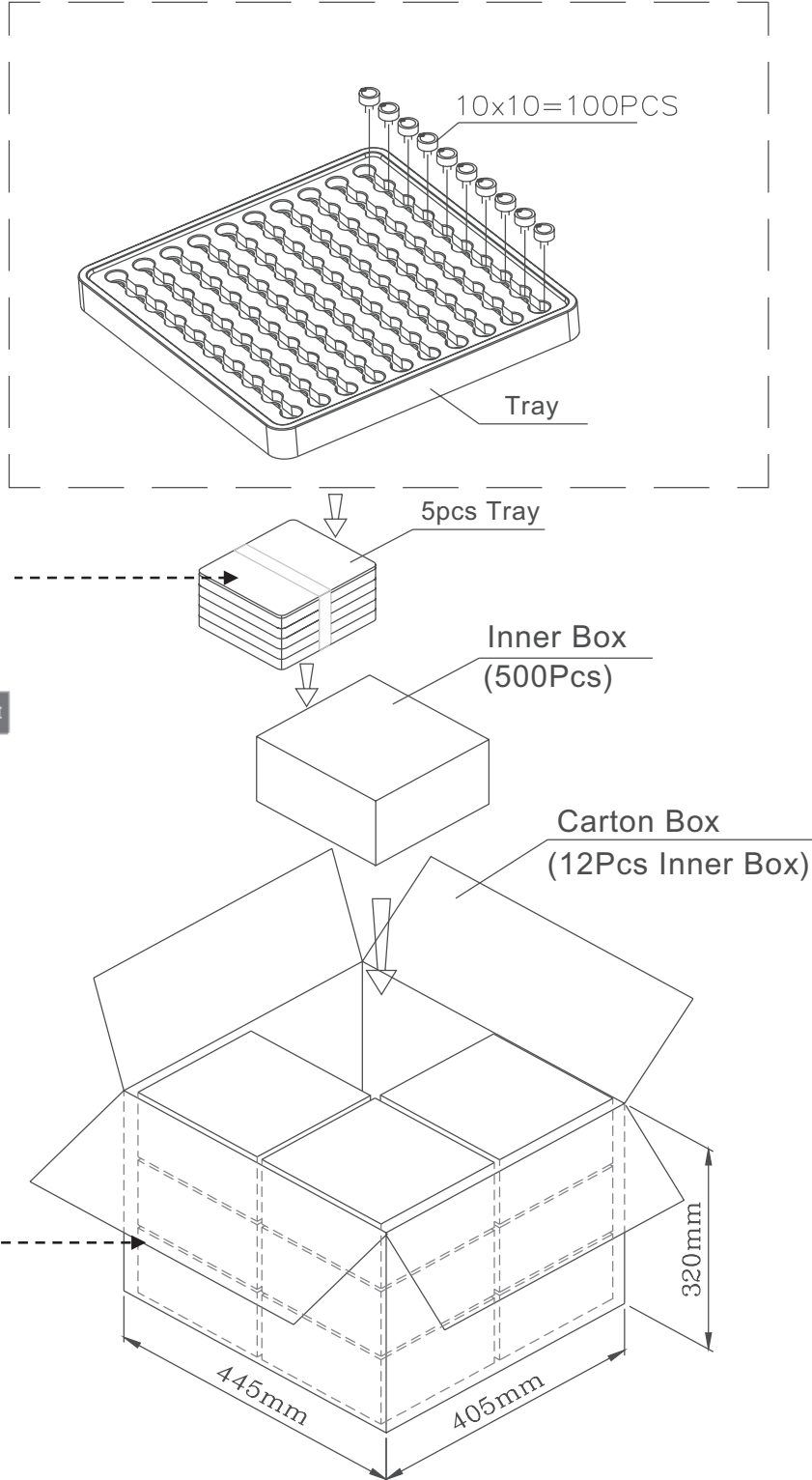
## PERFORMANCE CURVES



## PACKAGING

units: mm

Tray Size: 184 x 180 x 23 mm  
 Tray QTY: 100 pcs per tray  
 Carton Size: 445 x 405 x 320 mm  
 Carton QTY: 6,000 pcs per carton



## REVISION HISTORY

rev.	description	date
1.0	initial release	11/23/2021
1.01	logo, datasheet style update	08/05/2022

The revision history provided is for informational purposes only and is believed to be accurate.



CUI Devices offers a one (1) year limited warranty. Complete warranty information is listed on our website.

CUI Devices reserves the right to make changes to the product at any time without notice. Information provided by CUI Devices is believed to be accurate and reliable. However, no responsibility is assumed by CUI Devices for its use, nor for any infringements of patents or other rights of third parties which may result from its use.

CUI Devices products are not authorized or warranted for use as critical components in equipment that requires an extremely high level of reliability. A critical component is any component of a life support device or system whose failure to perform can be reasonably expected to cause the failure of the life support device or system, or to affect its safety or effectiveness.

[cuidevices.com](http://cuidevices.com)