

**MODEL:** CPE-750 | **DESCRIPTION:** PIEZO BUZZER INDICATOR**FEATURES**

- through-hole tabs
- threaded body
- 12 Vdc rating
- 80 dB
- 3.6 kHz rated frequency

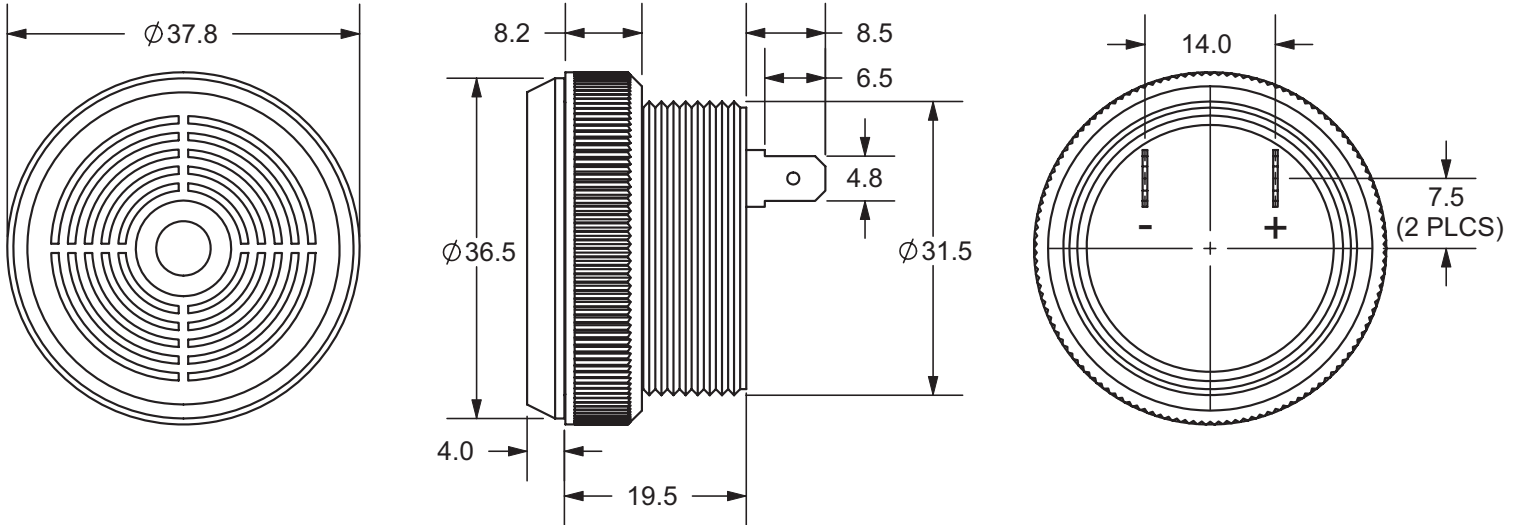
**SPECIFICATIONS**

parameter	conditions/description	min	typ	max	units
rated voltage			12		Vdc
operating voltage		4		28	Vdc
current consumption	at rated voltage			8	mA
rated frequency		3,100	3,600	4,100	Hz
sound pressure level	at 30 cm, rated voltage	80			dB
tone	continuous				
dimensions	∅37.8 x 23.5				mm
weight				18.5	g
material	ABS UL94 1/16" HB (grey)				
terminal	solder tabs (gold plating)				
operating temperature		-30		85	°C
storage temperature		-40		95	°C
hand soldering	maximum 3 seconds	330	350	370	°C
RoHS	yes				

Notes: 1. All specifications measured at 5-35°C, humidity at 45-85%, under 86-106 kPa pressure, unless otherwise noted.

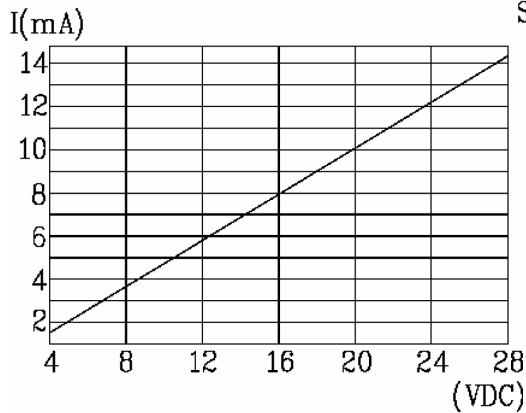
## MECHANICAL DRAWING

units: mm  
tolerance: ±0.5 mm

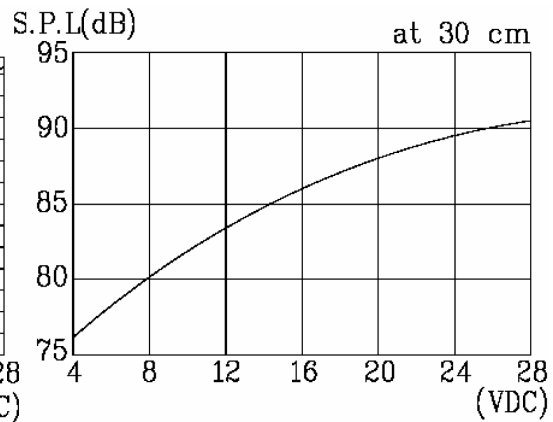


## PERFORMANCE CURVES

Voltage vs. Current Consumption



Voltage vs. Sound Pressure Level



## REVISION HISTORY

rev.	description	date
1.0	initial release	11/12/2007
1.01	brand update	05/11/2020
1.02	logo, datasheet style update	08/05/2022

The revision history provided is for informational purposes only and is believed to be accurate.



CUI Devices offers a one (1) year limited warranty. Complete warranty information is listed on our website.

CUI Devices reserves the right to make changes to the product at any time without notice. Information provided by CUI Devices is believed to be accurate and reliable. However, no responsibility is assumed by CUI Devices for its use, nor for any infringements of patents or other rights of third parties which may result from its use.

CUI Devices products are not authorized or warranted for use as critical components in equipment that requires an extremely high level of reliability. A critical component is any component of a life support device or system whose failure to perform can be reasonably expected to cause the failure of the life support device or system, or to affect its safety or effectiveness.

[cuidevices.com](http://cuidevices.com)