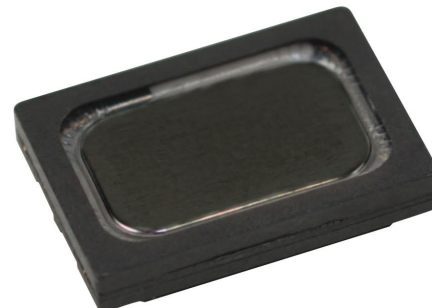


MODEL: CMS-15118D-SP | **DESCRIPTION:** SPEAKER**FEATURES**

- micro-speaker
- small footprint
- low profile
- 8 ohm impedance

**SPECIFICATIONS**

| parameter | conditions/description | min | typ | max | units |
|-------------------------|---|--------------|------------|---------------|--------------------|
| input power | maximum power: IEC-60268-5, filter 60s on/120s off, 10 cycles at room temp in 1 cc closed box | | 0.7 | 1.0 | W |
| impedance | at 2.0 kHz | 6.8 | 8 | 9.2 | Ω |
| resonant frequency (Fo) | at 1.0 V at 1.0 V in 1 cc closed box | 425 807.5 | 500 950 | 575 1092.5 | Hz Hz |
| frequency response | output SPL ± 10 dB | Fo | | 10,000 | Hz |
| sound pressure level | at 0.7 W, 0.1 m, at 1.0 kHz in 1 cc closed box | 88 | 91 | 94 | dB |
| distortion | at 1.0 kHz, 0.7 W | | | 10 | % |
| buzz, rattle, etc. | must be normal at sine wave between Fo ~ 20 kHz in 1 cc closed box | | 2.37 | | V |
| polarity | cone will move forward with positive dc current to "+" terminal | | | | |
| dimensions | 15 x 11 x 3 | | | | mm |
| magnet | Nd-Fe-B | | | | |
| material | PPA | | | | |
| cone material | PEEK | | | | |
| terminal | solder pads | | | | |
| weight | | | 1.5 | | g |
| operating temperature | | -30 | | 75 | $^{\circ}\text{C}$ |
| storage temperature | | -40 | | 85 | $^{\circ}\text{C}$ |
| RoHS | yes | | | | |

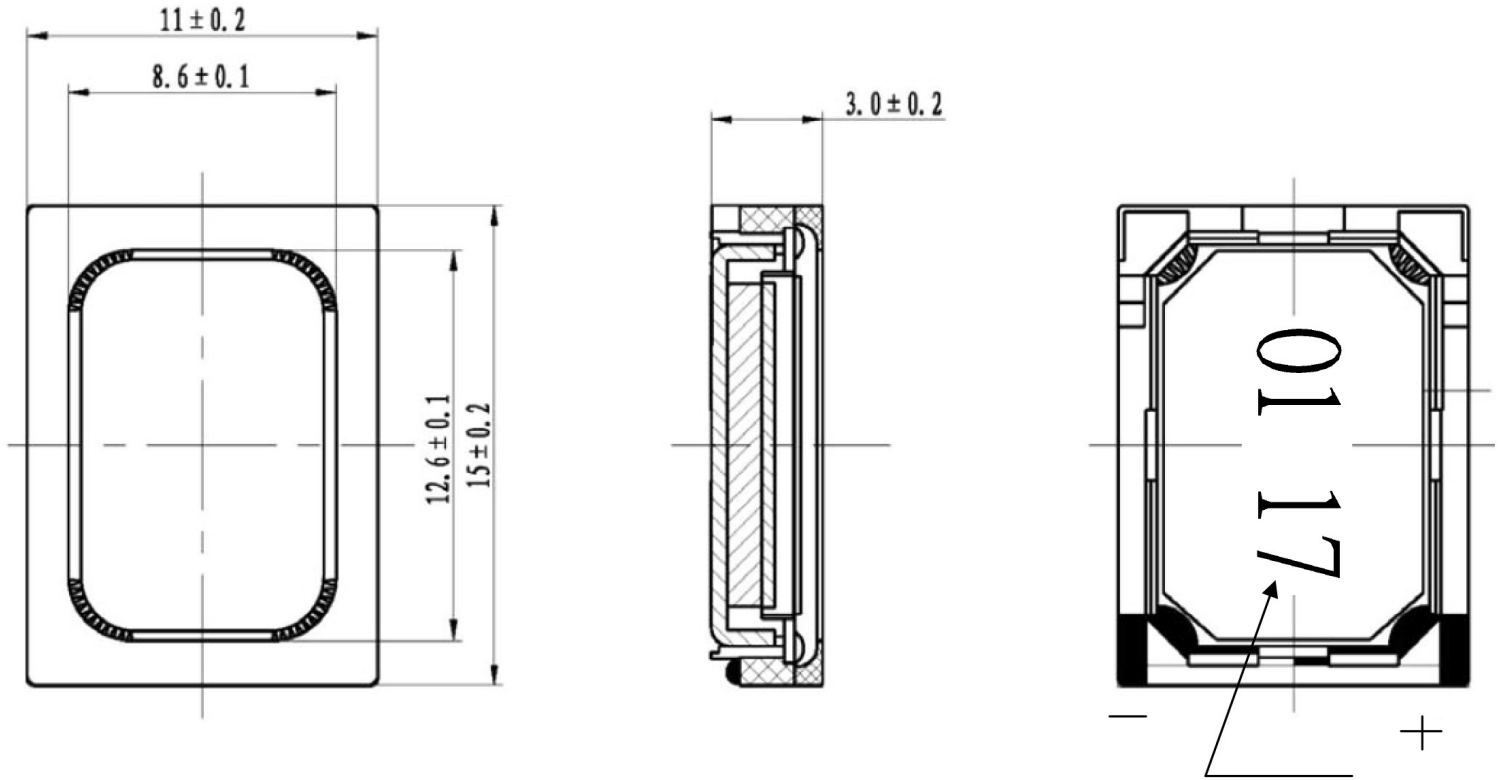
Notes: 1. All specifications measured at 5-35 $^{\circ}\text{C}$, humidity at 45-85%, under 86-106 kPa pressure, unless otherwise noted.

SOLDERABILITY

| parameter | conditions/description | min | typ | max | units |
|----------------|------------------------|-----|-----|-----|--------------------|
| hand soldering | for maximum 3 seconds | 370 | 380 | 390 | $^{\circ}\text{C}$ |

MECHANICAL DRAWING

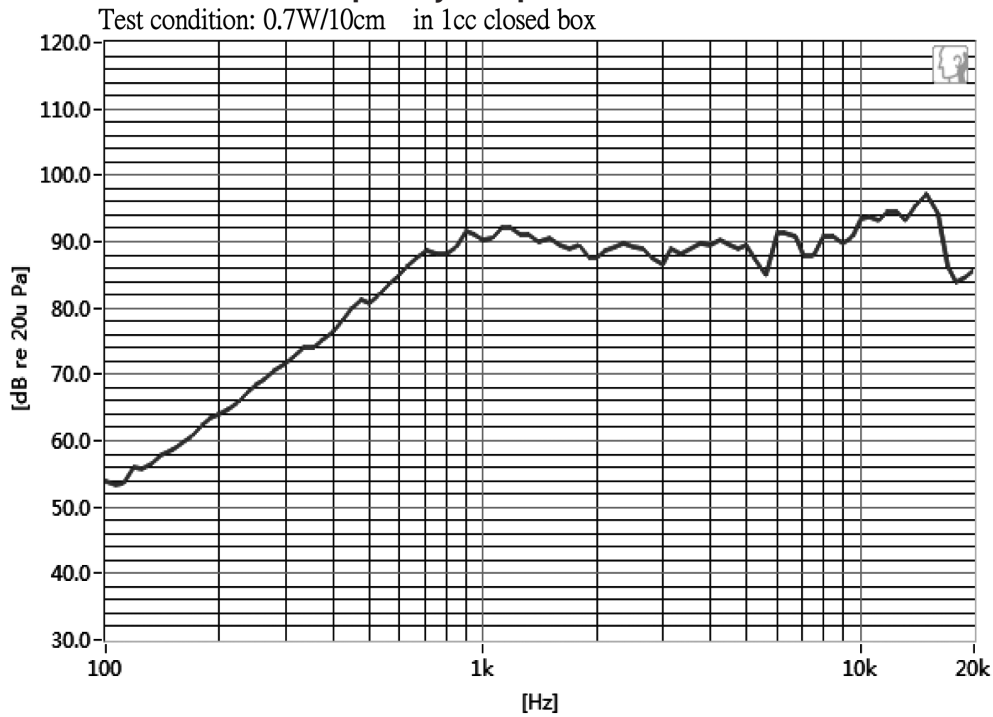
units: mm
tolerance: ± 0.2 mm



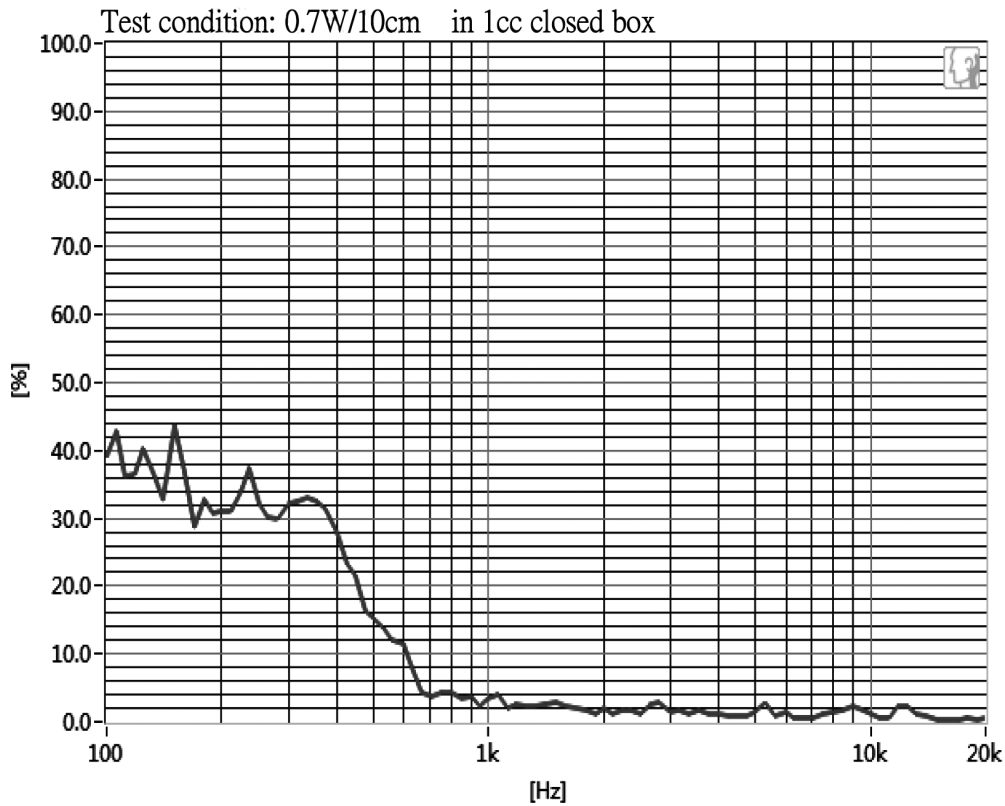
| | | | |
|----|---|----------|---|
| W | W | Y | Y |
| 01 | | 17--2017 | |
| 02 | | 18--2018 | |

RESPONSE CURVES

Frequency Response Curve



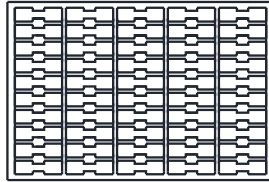
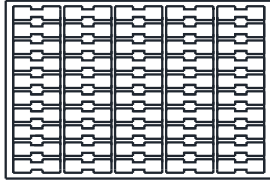
Total Harmonic Distortion Curve



PACKAGING

units: mm

Tray Size: 220 x 300 x 8 mm
 Carton Size: 460 x 320 x 120 mm
 Tray QTY: 100 pcs per tray
 Carton QTY: 2,000 pcs per carton

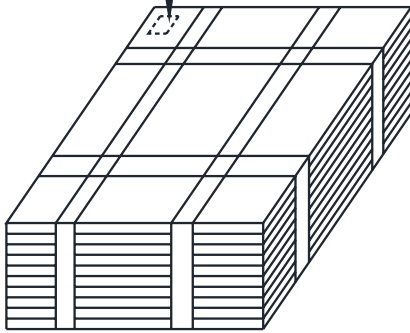


Paper+Bubble cotton(100 PCS)

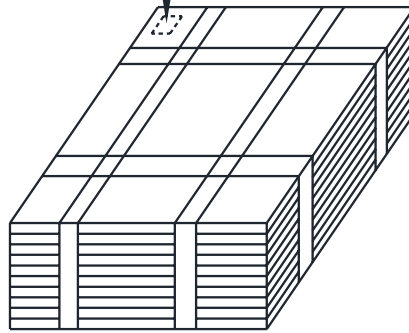
220×300×8

Paper+Bubble cotton(100 PCS)


220×300×8



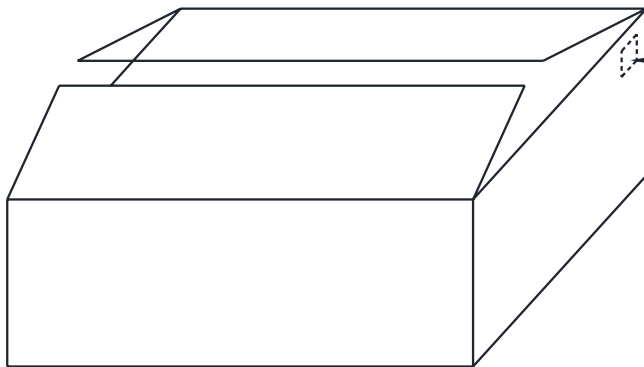
1000PCS
220×300×85



1000PCS
220×300×85

| | |
|---------------|--|
| Lot No. | XXXXXXXXXX |
| Model No. | CUI Inv#. CUI Part#. |
| Quantity. | XXXX Pcs |
| Date: | DD MM YY  |
| MADE IN CHINA | |

* The label stuck on inner boxes and the outer of carton.



CARTON BOX(2000PCS)
460×320×120

REVISION HISTORY

| rev. | description | date |
|------|------------------------------|------------|
| 1.0 | initial release | 07/06/2017 |
| 1.01 | brand update | 01/21/2020 |
| 1.02 | logo, datasheet style update | 08/05/2022 |

The revision history provided is for informational purposes only and is believed to be accurate.



CUI Devices offers a one (1) year limited warranty. Complete warranty information is listed on our website.

CUI Devices reserves the right to make changes to the product at any time without notice. Information provided by CUI Devices is believed to be accurate and reliable. However, no responsibility is assumed by CUI Devices for its use, nor for any infringements of patents or other rights of third parties which may result from its use.

CUI Devices products are not authorized or warranted for use as critical components in equipment that requires an extremely high level of reliability. A critical component is any component of a life support device or system whose failure to perform can be reasonably expected to cause the failure of the life support device or system, or to affect its safety or effectiveness.

cuidevices.com