

MODEL: CMS-15118D-L100 | **DESCRIPTION:** SPEAKER**FEATURES**

- micro-speaker
- small footprint
- low profile
- wire leads

**SPECIFICATIONS**

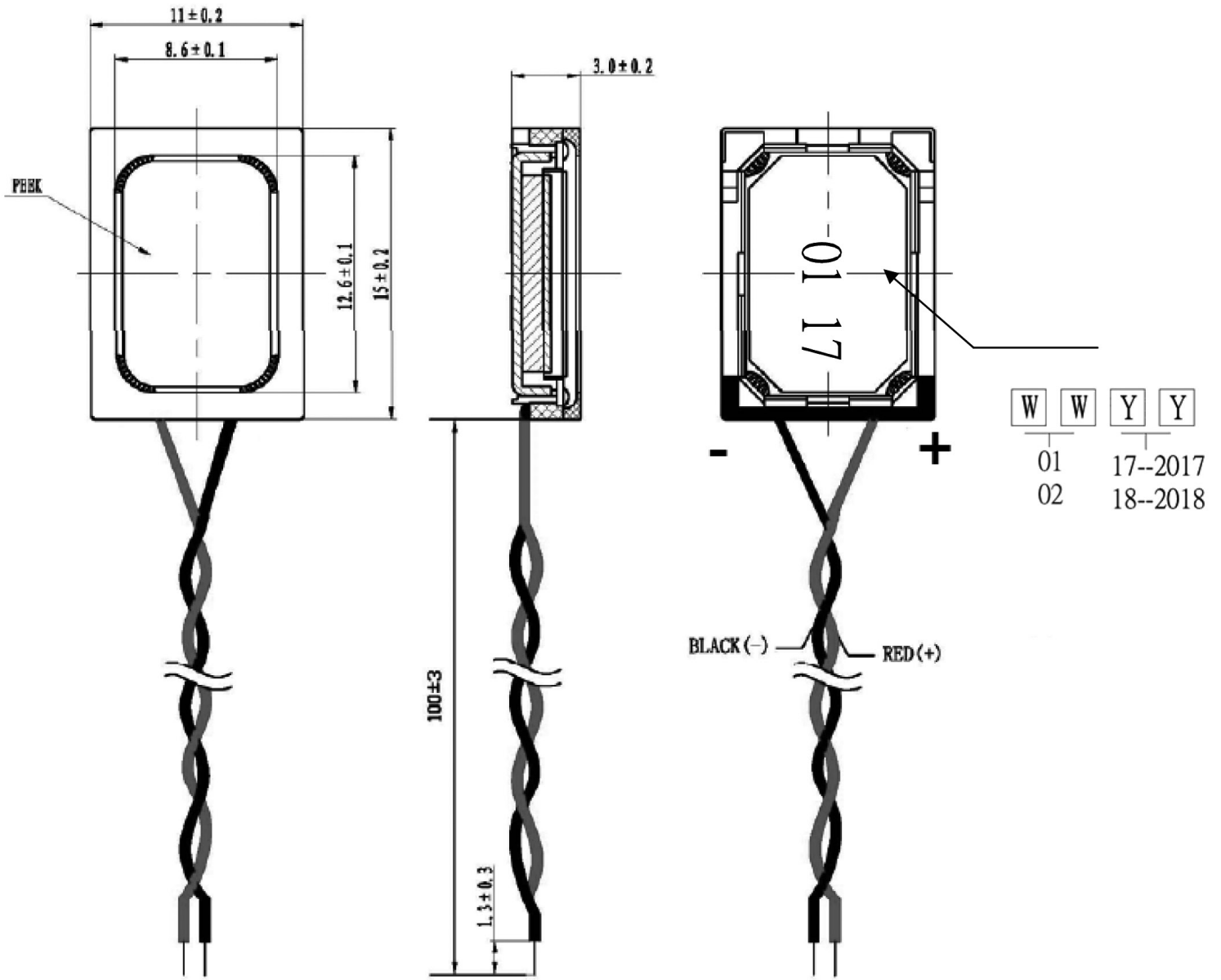
parameter	conditions/description	min	typ	max	units
input power	maximum power: IEC-60268-5, filter 60s on/120s off, 10 cycles at room temp in 1 cc closed box		0.7	1.0	W
impedance	at 2.0 kHz	6.8	8	9.2	Ω
resonant frequency (Fo)	at 1.0 V at 1.0 V in 1 cc closed box	425 807.5	500 950	575 1092.5	Hz Hz
frequency response	output SPL ± 10 dB	Fo		10,000	Hz
sound pressure level	at 0.7 W, 0.1 m, at 1.0 kHz in 1 cc closed box	88	91	94	dB
distortion	at 1.0 kHz, 0.7 W			10	%
buzz, rattle, etc.	must be normal at sine wave between Fo ~ 20 kHz in 1 cc closed box		2.37		V
polarity	cone will move forward with positive dc current to "+" terminal				
dimensions	15 x 11 x 3				mm
magnet	Nd-Fe-B				
material	PPA				
cone material	PEEK				
terminal	wire leads				
weight			1.5		g
operating temperature		-30		75	$^{\circ}\text{C}$
storage temperature		-40		85	$^{\circ}\text{C}$
RoHS	yes				

Notes: 1. All specifications measured at 5-35 $^{\circ}\text{C}$, humidity at 45-85%, under 86-106 kPa pressure, unless otherwise noted.

MECHANICAL DRAWING

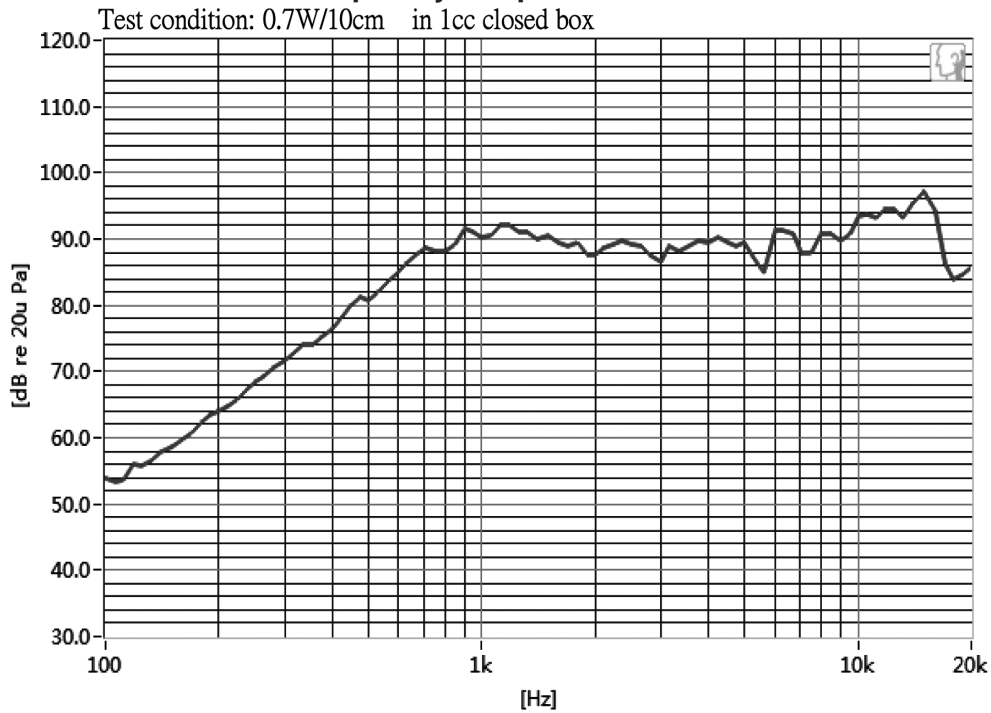
units: mm
tolerance: ± 0.2 mm

wire: UL1571 30 AWG

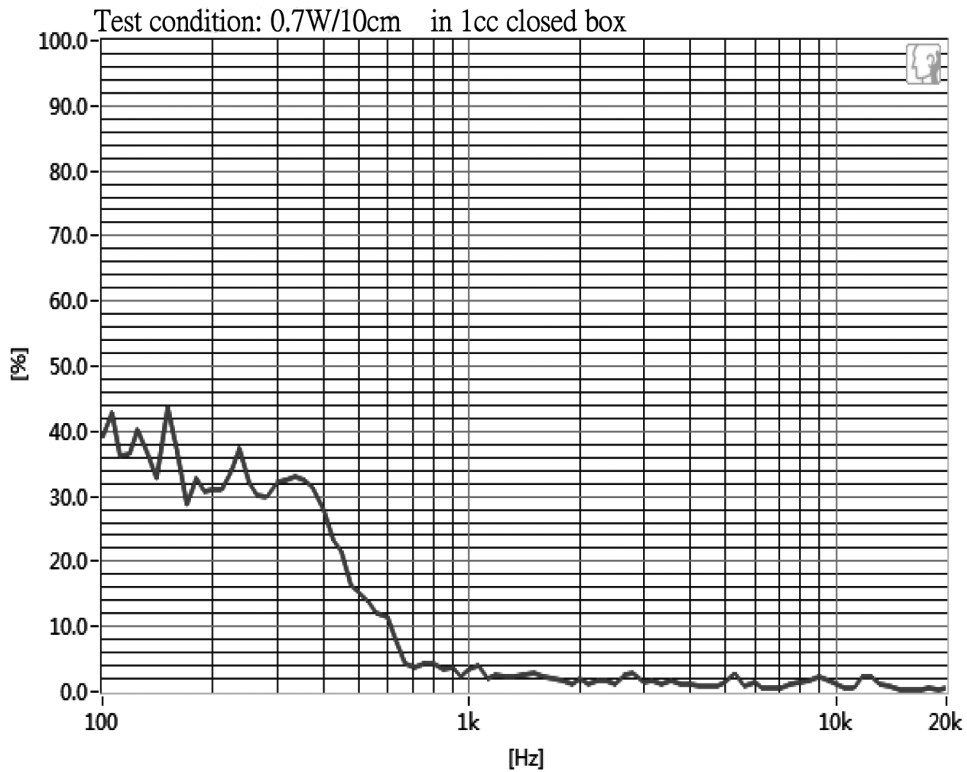


RESPONSE CURVES

Frequency Response Curve



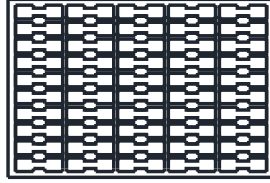
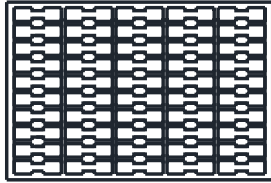
Total Harmonic Distortion Curve



PACKAGING

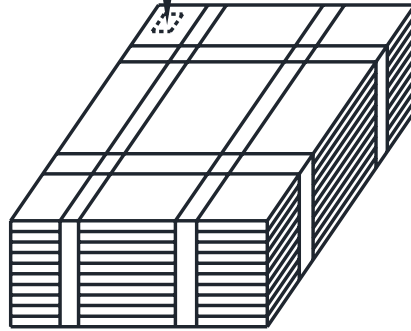
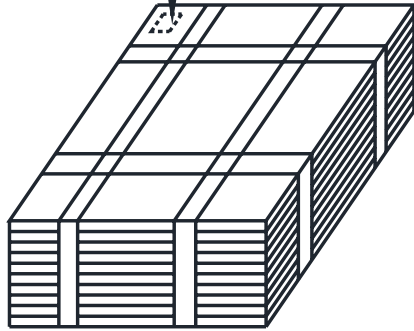
units: mm

Tray Size: 220 x 300 x 8 mm
 Carton Size: 460 x 320 x 120 mm
 Tray QTY: 100 pcs per tray
 Carton QTY: 2,000 pcs per carton



Paper+Bubble cotton(100 PCS)
220×300×8

Paper+Bubble cotton(100 PCS)
220×300×8

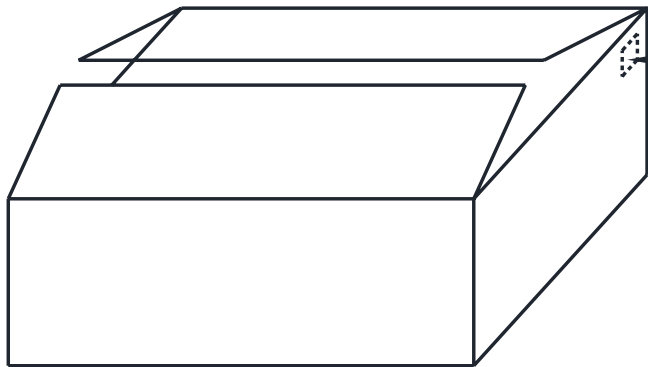


1000PCS
220×300×85

1000PCS
220×300×85

Lot No.	XXXXXXXXXXXX
Model No.	CUI Inv#. CUI Part#.
Quantity.	XXXX Pcs
Date:	DD MM YY
MADE IN CHINA	

* The label sticked on inner boxes and the outer of carton.



CARTON BOX(2000PCS)
460×320×120

REVISION HISTORY

rev.	description	date
1.0	initial release	07/06/2017
1.01	brand update	01/21/2020
1.02	logo, datasheet style update	08/05/2022

The revision history provided is for informational purposes only and is believed to be accurate.



CUI Devices offers a one (1) year limited warranty. Complete warranty information is listed on our website.

CUI Devices reserves the right to make changes to the product at any time without notice. Information provided by CUI Devices is believed to be accurate and reliable. However, no responsibility is assumed by CUI Devices for its use, nor for any infringements of patents or other rights of third parties which may result from its use.

CUI Devices products are not authorized or warranted for use as critical components in equipment that requires an extremely high level of reliability. A critical component is any component of a life support device or system whose failure to perform can be reasonably expected to cause the failure of the life support device or system, or to affect its safety or effectiveness.

cuidevices.com