

**MODEL:** CEP-1141 | **DESCRIPTION:** PIEZO BUZZER TRANSDUCER

**FEATURES**

- piezo transducer with wire leads
- 81 dB SPL
- 1,100 Hz rated frequency


**SPECIFICATIONS**

parameter	conditions/description	min	typ	max	units
operating voltage				30	Vp-p
current consumption	at 10 Vp-p, 1,100 Hz square wave			9	mA
rated frequency			1,100		Hz
sound pressure level	at 10 cm, 10 Vp-p, 1,100 Hz square wave	81			dB
electrostatic capacity	at 120 Hz/1 V	30,100	43,000	55,900	pF
dimensions	Ø34.5 x 9.2				mm
weight				5.3	g
material	ABS UL94 1/16" HB High Heat (black)				
terminal	wire leads				
operating temperature		-30		85	°C
storage temperature		-40		95	°C
RoHS	yes				

Notes: 1. All specifications measured at 5-35°C, humidity at 45-85%, under 86-106kPa pressure, unless otherwise noted.

**SOLDERABILITY**

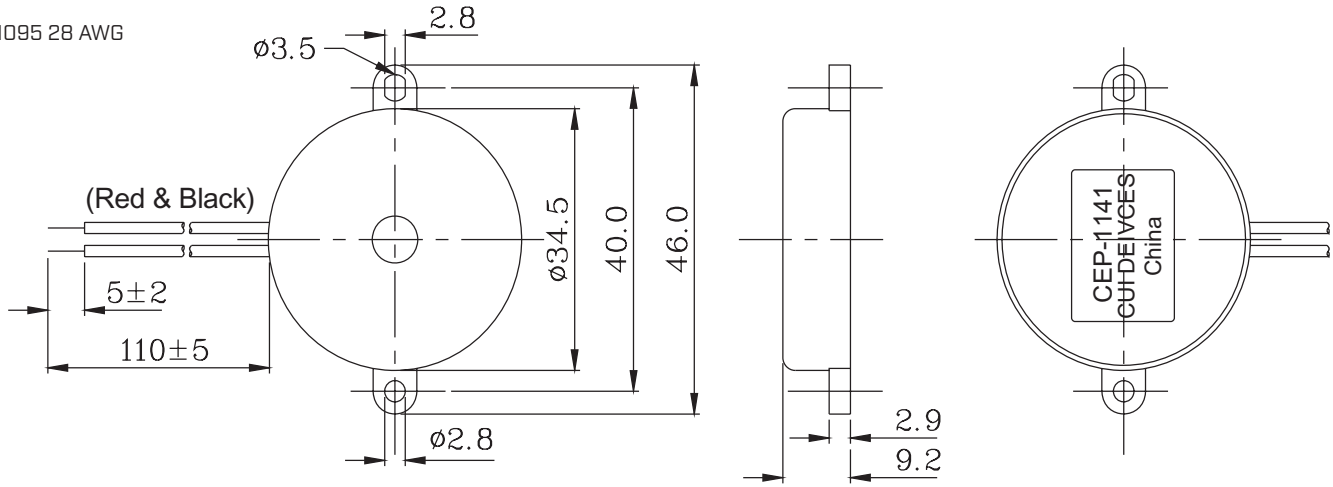
parameter	conditions/description	min	typ	max	units
hand soldering	for 2 ± 0.5 seconds	280	290	300	°C

## MECHANICAL DRAWING

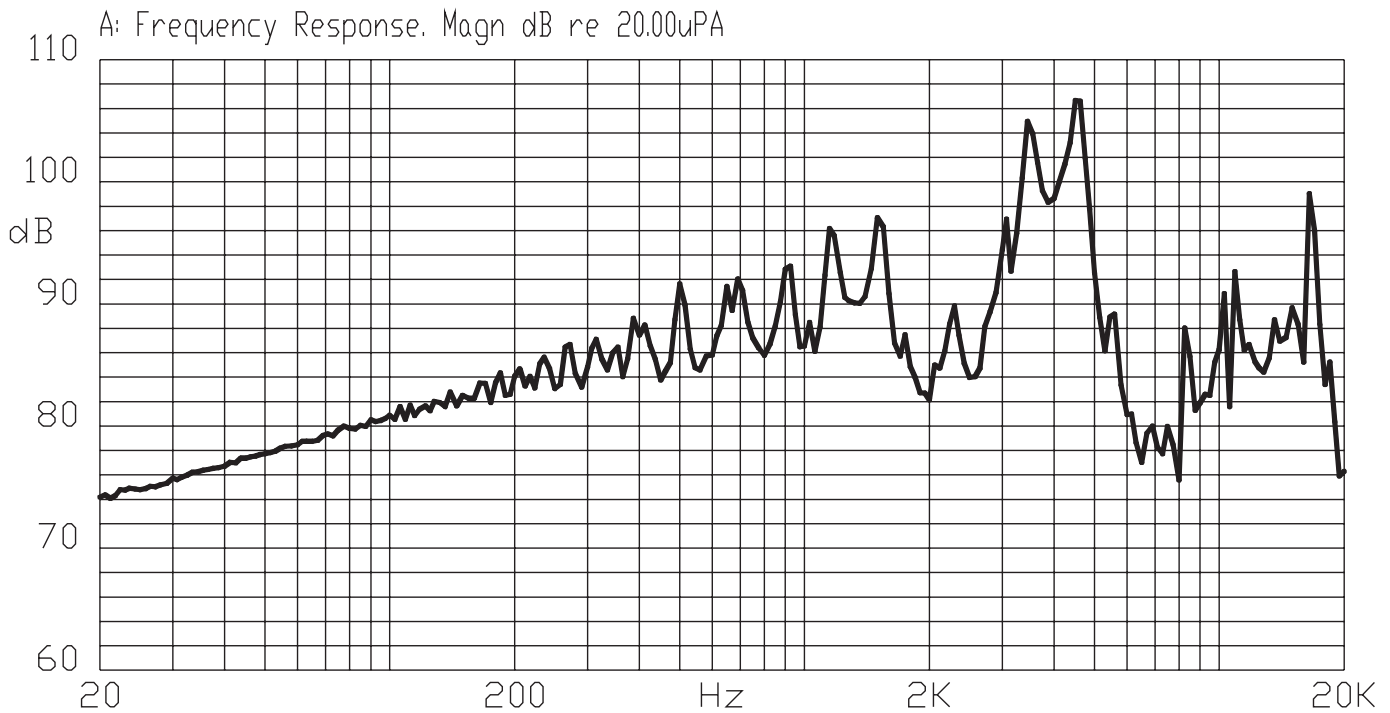
units: mm

tolerance: ±0.5 mm

wire: UL1095 28 AWG



## FREQUENCY RESPONSE CURVE



## REVISION HISTORY

rev.	description	date
1.0	initial release	09/22/2006
1.01	brand update	04/28/2020
1.02	logo, datasheet style update	08/05/2022

The revision history provided is for informational purposes only and is believed to be accurate.



CUI Devices offers a one (1) year limited warranty. Complete warranty information is listed on our website.

CUI Devices reserves the right to make changes to the product at any time without notice. Information provided by CUI Devices is believed to be accurate and reliable. However, no responsibility is assumed by CUI Devices for its use, nor for any infringements of patents or other rights of third parties which may result from its use.

CUI Devices products are not authorized or warranted for use as critical components in equipment that requires an extremely high level of reliability. A critical component is any component of a life support device or system whose failure to perform can be reasonably expected to cause the failure of the life support device or system, or to affect its safety or effectiveness.

[cuidevices.com](http://cuidevices.com)