



SERIES: CDM806 | DESCRIPTION: M8 CONNECTOR

FEATURES

- M8 male connector
- A & B code versions
- panel mount
- IP67



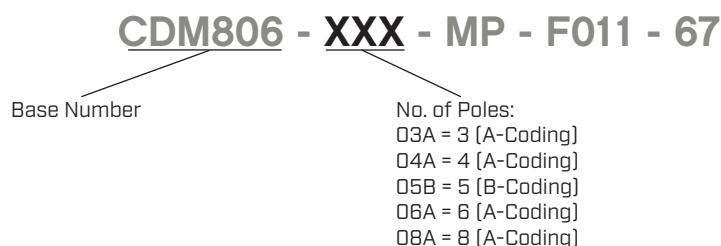
SPECIFICATIONS

| parameter | conditions/description | min | typ | max | units |
|----------------------------|--|-----|-------|-----|--------|
| rated voltage | 3 & 4 pole models | | | 60 | V |
| | 5, 6, & 8 pole models | | | 30 | V |
| rated current | 3, 4, & 5 pole models | | | 3 | A |
| | 6 & 8 pole models | | | 1.5 | A |
| withstanding voltage | for 1 minute | | 1,500 | | Vac |
| contact resistance | | | | 10 | mΩ |
| insulation resistance | at 500 Vdc for 1 minute | 100 | | | MΩ |
| insertion/withdrawal force | | 0.3 | | 1.5 | kgf |
| operating temperature | | -25 | | 80 | °C |
| life | | 100 | | | cycles |
| safety approvals | compliant with IEC61076-2-104 | | | | |
| flammability rating | see material table | | | | |
| RoHS | yes | | | | |
| IP level | IP67 (in mated condition) | | | | |
| packaging | tray QTY: 80 pcs per tray carton size: 270 x 215 x 107 mm carton QTY: 1,680 pcs per carton | | | | |

SOLDERABILITY

| parameter | conditions/description | min | typ | max | units |
|----------------|------------------------|-----|-----|-----|-------|
| hand soldering | for maximum 3 seconds | 260 | 280 | 300 | °C |

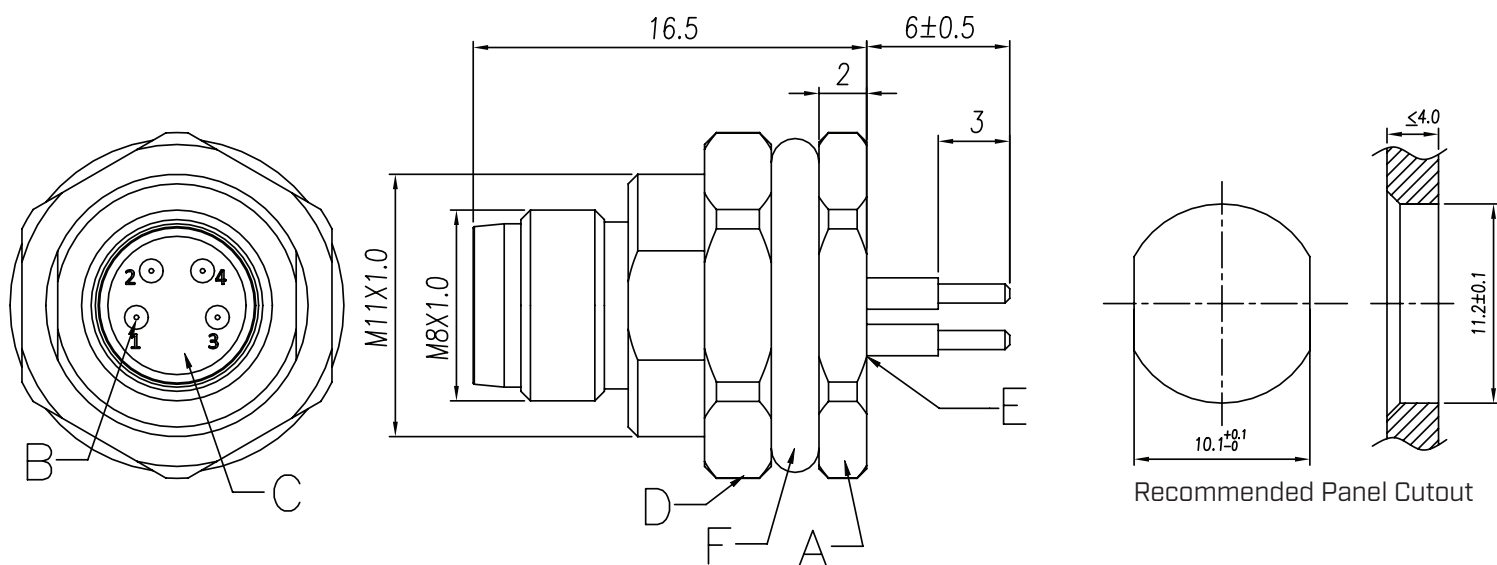
PART NUMBER KEY



MECHANICAL DRAWING

units: mm
 tolerance:
 0.5<X≤6.0: ±0.1 mm
 6.0<X≤30.0: ±0.2 mm
 unless otherwise noted

| ITEM | DESCRIPTION | MATERIAL | PLATING/COLOR |
|------|-------------------------------|----------------|---------------|
| A | M8x1.0 screw M11x1.0 screw | brass | nickel |
| B | terminals; male | brass | gold |
| C | housing; male | PA66 [UL94V-0] | black |
| D | M11x1.0 nut | brass | nickel |
| E | resin | epoxy resin | black |
| F | O-ring | FKM | black |



| No. of Poles | 3 | 4 | 5 | 6 | 8 |
|---------------------------------|--------------|--------------|--------------|--------------|--------------|
| Coding | A-Coding | A-Coding | B-Coding | A-Coding | A-Coding |
| Pin Diameter | 1.0 mm | 1.0 mm | 1.0 mm | 0.7 mm | 0.6 mm |
| Recommended PCB Layout Top View | | | | | |

REVISION HISTORY

| rev. | description | date |
|------|------------------------------|------------|
| 1.0 | initial release | 07/19/2022 |
| 1.01 | logo, datasheet style update | 08/05/2022 |

The revision history provided is for informational purposes only and is believed to be accurate.



CUI Devices offers a one (1) year limited warranty. Complete warranty information is listed on our website.

CUI Devices reserves the right to make changes to the product at any time without notice. Information provided by CUI Devices is believed to be accurate and reliable. However, no responsibility is assumed by CUI Devices for its use, nor for any infringements of patents or other rights of third parties which may result from its use.

CUI Devices products are not authorized or warranted for use as critical components in equipment that requires an extremely high level of reliability. A critical component is any component of a life support device or system whose failure to perform can be reasonably expected to cause the failure of the life support device or system, or to affect its safety or effectiveness.

cuidevices.com