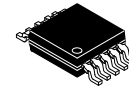


# 16 Volt Digital Potentiometer (POT) with 128 Taps and an Increment Decrement Interface



MSOP10  
 Z SUFFIX  
 CASE 846AG

## CAT5133

### Description

The CAT5133 is a high voltage digital POT integrated with EEPROM memory and control logic to operate in a similar manner to a mechanical potentiometer. The digital potentiometer consists of a series of resistive elements connected between two externally accessible end points. The tap points between each resistive element are connected to the wiper outputs with CMOS switches. A 7-bit wiper control register (WCR) independently controls the wiper tap switches for the digital potentiometer. Associated with the control register is a 7-bit nonvolatile memory data register (DR) used for storing the wiper settings. Changing the value of the wiper control register or storing that value into the nonvolatile memory is performed via a 3-input Increment-Decrement interface.

The CAT5133 comes with 2 voltage supply inputs:  $V_{CC}$  (digital supply voltage) input and  $V+$  (analog bias supply) input. Providing separate Digital and Analog inputs allow the potentiometer terminals to be as much as 10 volts above  $V_{CC}$  and 16 volts above ground.

The CAT5133 can be used as a potentiometer or as a two terminal, variable resistor. It is designed for circuit level or system level adjustments in a wide variety of applications.

On power-up, the contents of the nonvolatile data register (DR) are transferred to the wiper control register (WCR) and the wiper is positioned to that location. The CAT5133 is shipped with the DR programmed to position 64.

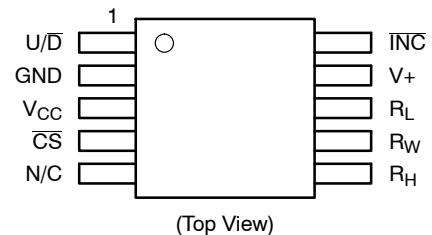
### Features

- Single Linear Digital Potentiometer with 128 Taps
- End-to-End Resistance of 10 k $\Omega$ , 50 k $\Omega$  or 100 k $\Omega$
- 2-wire Interface
- Fast Up/Down Wiper Control Mode
- Non-volatile Wiper Setting Storage
- Automatic Wiper Setting Recall at Power-up
- Digital Supply Range ( $V_{CC}$ ): 2.7 V to 5.5 V
- Analog Supply Range ( $V+$ ): +8 V to +16 V
- Low Standby Current: 15  $\mu$ A
- 100 Year Wiper Setting Memory
- Industrial Temperature Range: -40°C to +85°C
- 10-pin MSOP Package
- These Devices are Pb-Free, Halogen Free/BFR Free and are RoHS Compliant

### Applications

- LCD Screen Adjustment
- Volume Control
- Mechanical Potentiometer Replacement
- Gain Adjustment
- Line Impedance Matching
- VCOM Settings Adjustment

### PIN CONNECTIONS



### ORDERING INFORMATION

Device	Package	Shipping <sup>†</sup>
CAT5133ZI-10-GT3	MSOP10 (Pb-Free)	3,000/ Tape & Reel
CAT5133ZI-50-GT3 (Note 4)	MSOP10 (Pb-Free)	3,000/ Tape & Reel
CAT5133ZI-00-GT3 (Note 4)	MSOP10 (Pb-Free)	3,000/ Tape & Reel

<sup>†</sup>For information on tape and reel specifications, including part orientation and tape sizes, please refer to our Tape and Reel Packaging Specifications Brochure, BRD8011/D.

1. For detailed information and a breakdown of device nomenclature and numbering systems, please see the ON Semiconductor Device Nomenclature document, TND310/D, available at [www.onsemi.com](http://www.onsemi.com).
2. All packages are RoHS-compliant (Lead-Free, Halogen-Free).
3. The standard lead finish is NiPdAu.
4. For additional package and temperature options, please contact your nearest **onsemi** Sales office.

# CAT5133

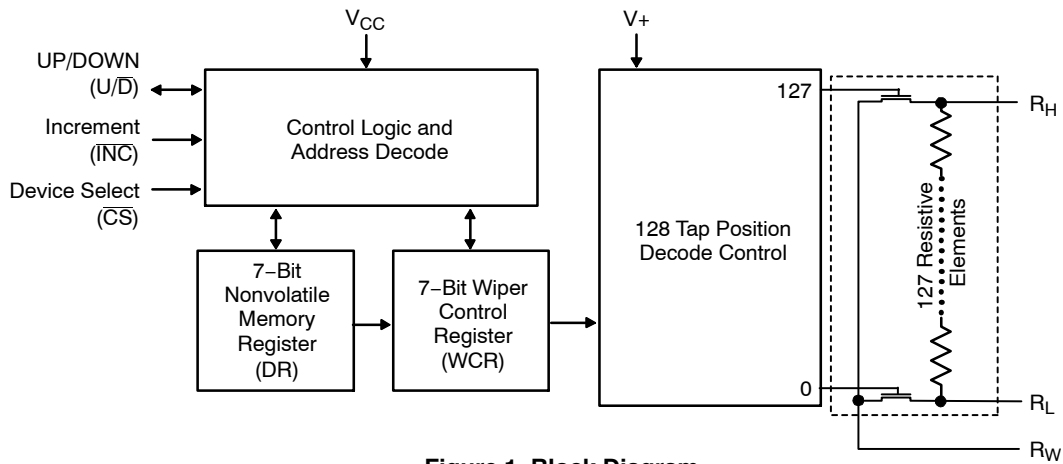


Figure 1. Block Diagram

Table 1. PIN DESCRIPTIONS

Pin	Name	Function
1	U/D	Up/Down Data Input – Determines the direction of movement of the wiper
2	GND	Ground
3	V <sub>CC</sub>	Logic Supply Voltage (2.7 V to 5.5 V)
4	CS	Chip Select – The chip is selected when the input is low.
5	N/C	No Connect
6	R <sub>H</sub>	High Reference Terminal for the Potentiometer
7	R <sub>W</sub>	Wiper Terminal for the Potentiometer
8	R <sub>L</sub>	Low Reference Terminal for the Potentiometer
9	V <sub>+</sub>	Analog Bias Voltage Input (+8.0 V to +16.0 V)
10	INC	Increment Input – Moves the wiper in the direction determined by the Up/Down input on each negative edge

## DEVICE OPERATION

The CAT5133 operates like a digitally controlled potentiometer with R<sub>H</sub> and R<sub>L</sub> equivalent to the high and low terminals and R<sub>W</sub> equivalent to the mechanical potentiometer's wiper. There are 128 available tap positions including the resistor end points, R<sub>H</sub> and R<sub>L</sub>. There are 127 resistor elements connected in series between the R<sub>H</sub> and R<sub>L</sub> terminals. The wiper terminal is connected to one of the 128 taps and controlled by three inputs, INC, U/D and CS. These inputs control a 7-bit up/down counter whose output is decoded to select the wiper position. The selected wiper position can be stored in nonvolatile memory using the INC and CS inputs.

With CS set LOW the CAT5133 is selected and will respond to the U/D and INC inputs. HIGH to LOW transitions on INC will increment or decrement the wiper

(depending on the state of the U/D input and 7-bit counter). The wiper, when at either fixed terminal, acts like its mechanical equivalent and does not move beyond the last position. The value of the counter is stored in nonvolatile memory whenever CS transitions HIGH while the INC input is also HIGH. When the CAT5133 is powered-down; the last stored wiper counter position is maintained in the nonvolatile memory. When power is restored, the contents of the memory are recalled and the counter is set to the value stored.

With INC set low, the CAT5133 may be de-selected and powered down without storing the current wiper position in nonvolatile memory. This allows the system to always power up to a preset value stored in nonvolatile memory.

Table 2. OPERATION MODES

INC	CS	U/D	Operation
High to Low	Low	High	Wiper toward H
High to Low	Low	Low	Wiper toward L
High	Low to High	X	Store Wiper Position
Low	Low to High	X	No Store, Return to Standby
X	High	X	Standby

**Power-On and Potentiometer Characteristics**

The CAT5133 is a 128-position, digital controlled potentiometer. When applying power to the CAT5133, V<sub>CC</sub> must be supplied prior to or simultaneously with V+. At the same time, the signals on R<sub>H</sub>, R<sub>W</sub> and R<sub>L</sub> terminals should not exceed V+. If V+ is applied before V<sub>CC</sub>, the electronic switches of the digital potentiometer are powered in the absence of the switch control signals, that could result in multiple switches being turned on. This causes unexpected wiper settings and possible current overload of the potentiometer.

When V<sub>CC</sub> is applied, the device turns on at the mid-point wiper location (64) until the wiper register can be loaded with the nonvolatile memory location previously stored in the device. After the nonvolatile memory data is loaded into the wiper register the wiper location will change to the previously stored wiper position.

At power-down, it is recommended to turn-off first the signals on R<sub>H</sub>, R<sub>W</sub> and R<sub>L</sub>, followed by V+ and, after that, V<sub>CC</sub>, in order to avoid unexpected transitions of the wiper and uncontrolled current overload of the potentiometer.

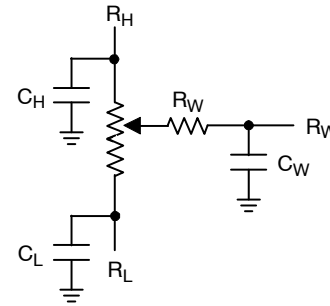


Figure 2. Potentiometer Equivalent Circuit

The end-to-end nominal resistance of the potentiometer has 128 contact points linearly distributed across the total resistor. Each of these contact points is addressed by the 7 bit wiper register which is decoded to select one of these 128 contact points.

Each contact point generates a linear resistive value between the 0 position and the 127 position. These values can be determined by dividing the end-to-end value of the potentiometer by 127. The 10 kΩ potentiometer has a resistance of ~79 Ω between each wiper position. However in addition to the ~79 Ω for each resistive segment of the potentiometer, a wiper resistance offset must be considered. Table 3 shows the effect of this value and how it would appear on the wiper terminal.

This offset will appear in each of the CAT5133 end-to-end resistance values in the same way as the 10 kΩ example. However resistance between each wiper position for the 50 kΩ version will be ~395 Ω and for the 100 kΩ version will be ~790 Ω.

Table 3. POTENTIOMETER RESISTANCE AND WIPER RESISTANCE OFFSET EFFECTS

Position	Typical R <sub>W</sub> to R <sub>L</sub> Resistance for 10 kΩ Digital Potentiometer		Position	Typical R <sub>W</sub> to R <sub>H</sub> Resistance for 10 kΩ Digital Potentiometer	
0	70 Ω or	0 Ω + 70 Ω	00	10,070 Ω or	10,000 Ω + 70 Ω
01	149 Ω or	79 Ω + 70 Ω	64	5,047 Ω or	4,977 Ω + 70 Ω
63	5,047 Ω or	4,977 Ω + 70 Ω	126	149 Ω or	79 Ω + 70 Ω
127	10,070 Ω or	10,000 Ω + 70 Ω	127	70 Ω or	0 Ω + 70 Ω

Table 4. ABSOLUTE MAXIMUM RATINGS

Parameters	Ratings	Units
Temperature Under Bias	-55 to +125	°C
Storage Temperature	-65 to +150	°C
Voltage on any U/D, INC, & CS Pins with Respect to V <sub>CC</sub> (Note 5)	-0.3 to +V <sub>CC</sub> + 0.3	V
Voltage on R <sub>H</sub> , R <sub>L</sub> , & R <sub>W</sub> Pins with Respect to V <sub>CC</sub>	V+	V
V <sub>CC</sub> with Respect to Ground	-0.3 to +6.0	V
V+ with respect to Ground	-0.3 to +16.5	V
Wiper Current	±6	mA
Lead Soldering temperature (10 seconds)	+300	°C

Stresses exceeding those listed in the Maximum Ratings table may damage the device. If any of these limits are exceeded, device functionality should not be assumed, damage may occur and reliability may be affected.

5. Latch-up protection is provided for stresses up to 100 mA on the digital from -0.3 V to V<sub>CC</sub> + 0.3 V.

# CAT5133

## RECOMMENDED OPERATING CONDITIONS

$V_{CC} = +2.7\text{ V to }+5.5\text{ V}$

$V_{+} = +8.0\text{ V to }+16.0\text{ V}$

Operating Temperature Range:  $-40^{\circ}\text{C to }+85^{\circ}\text{C}$

**Table 5. POTENTIOMETER CHARACTERISTICS** (Over recommended operating conditions unless otherwise stated.)

Symbol	Parameter	Test Conditions	Limits			Units
			Min	Typ	Max	
$R_{POT}$	Potentiometer Resistance (10 k $\Omega$ )			10		k $\Omega$
$R_{POT}$	Potentiometer Resistance (50 k $\Omega$ ) (Note 12)			50		k $\Omega$
$R_{POT}$	Potentiometer Resistance (100 k $\Omega$ ) (Note 12)			100		k $\Omega$
$R_{TOL}$	Potentiometer Resistance Tolerance				$\pm 20$	%
	Power Rating	25 $^{\circ}\text{C}$			50	mW
$I_W$	Wiper Current				$\pm 3$	mA
$R_W$	Wiper Resistance	$I_W = +1\text{ mA @ }V_{+} = 12\text{ V}$		70	150	$\Omega$
		$I_W = +1\text{ mA @ }V_{+} = 8\text{ V}$		110	200	
$V_{TERM}$	Voltage on $R_W$ , $R_H$ or $R_L$	GND = 0 V; $V_{+} = 8\text{ V to }16\text{ V}$	GND		$V_{+}$	V
RES	Resolution			0.78		%
$A_{LIN}$	Absolute Linearity (Note 7)	$V_{W(n)(actual)} - V_{W(n)(expected)}$ (Notes 10, 11)			$\pm 1$	LSB (Note 9)
$R_{LIN}$	Relative Linearity (Note 8)	$V_{W(n+1)} - [V_{W(n)} + \text{LSB}]$ (Notes 10, 11)			$\pm 0.5$	LSB (Note 9)
$TC_{RPOT}$	Temperature Coefficient of $R_{POT}$	(Note 6)		$\pm 300$		ppm/ $^{\circ}\text{C}$
$TC_{Ratio}$	Ratiometric Temperature Coefficient	(Note 6)			30	ppm/ $^{\circ}\text{C}$
$C_H/C_L/C_W$	Potentiometer Capacitances	(Note 6)		10/10/25		pF
fc	Frequency Response	$R_{POT} = 50\text{ k}\Omega$		0.4		MHz

6. This parameter is tested initially and after a design or process change that affects the parameter.

7. Absolute linearity is utilized to determine actual wiper voltage versus expected voltage as determined by wiper position when used as a potentiometer.

8. Relative linearity is utilized to determine the actual change in voltage between two successive tap positions when used as a potentiometer.

9.  $\text{LSB} = (R_{HM} - R_{LM})/127$ ; where  $R_{HM}$  and  $R_{LM}$  are the highest and lowest measured values on the wiper terminal.

10.  $n = 1, 2, \dots, 127$ .

11.  $V_{+}$  @  $R_H$ ; 0 V @  $R_L$ ;  $V_W$  measured @  $R_W$ , with no load.

12. Contact factory for availability on this version of the CAT5133.

# CAT5133

**Table 6. DC ELECTRICAL CHARACTERISTICS** ( $V_{CC} = +2.7\text{ V}$  to  $+6.0\text{ V}$ , unless otherwise specified.)

Symbol	Parameter	Test Conditions	Min	Max	Units
$I_{CC1}$	Power Supply Current	$V_{CC} = 5.5\text{ V}$ , $f_{INC} = 1\text{ MHz}$ , Input = GND		1	mA
$I_{CC2}$	Power supply Current Nonvolatile WRITE	$V_{CC} = 5.5\text{ V}$ , $f_{INC} = 1\text{ MHz}$ , Input = GND		3.0	mA
$I_{SB(VCC)}$	Standby Current ( $V_{CC} = 5\text{ V}$ )	$V_{IN} = \text{GND}$ or $V_{CC}$ , $INC = V_{CC}$		5	$\mu\text{A}$
$I_{SB(V+)}$	V+ Standby Current	$V_{CC} = 5\text{ V}$ , $V+ = 16\text{ V}$		10	$\mu\text{A}$
$I_{LI}$	Input Leakage Current	$V_{IN} = \text{GND}$ to $V_{CC}$		10	$\mu\text{A}$
$I_{LO}$	Output Leakage Current	$V_{OUT} = \text{GND}$ to $V_{CC}$		10	$\mu\text{A}$
$V_{IL}$	Input Low Voltage		-1	$V_{CC} \times 0.3$	V
$V_{IH}$	Input High Voltage		$V_{CC} \times 0.7$	$V_{CC} + 1.0$	V
$V_{OL1}$	Output Low Voltage ( $V_{CC} = 3.0\text{ V}$ )	$I_{OL} = 3\text{ mA}$		0.4	V

**Table 7. CAPACITANCE** ( $T_A = 25^\circ\text{C}$ ,  $f = 1.0\text{ MHz}$ ,  $V_{CC} = 5.0\text{ V}$ )

Symbol	Parameter	Test Conditions	Min	Max	Units
$C_{I/O}$	Input/Output Capacitance (SDA)	$V_{I/O} = 0\text{ V}$ (Note 13)		8	pF
$C_{IN}$	Input Capacitance (A0, A1, SCL)	$V_{IN} = 0\text{ V}$ (Note 13)		6	pF

**Table 8. POWER UP TIMING** (Notes 13, 14)

Symbol	Parameter	Min	Max	Units
$t_{PUR}$	Power-up to Read Operation		1	ms
$t_{PUW}$	Power-up to Write Operation		1	ms

**Table 9. WIPER TIMING**

Symbol	Parameter	Min	Max	Units
$t_{WRPO}$	Wiper Response Time After Power Supply Stable	5	10	$\mu\text{s}$
$t_{WRL}$	Wiper Response Time After Instruction Issued	5	10	$\mu\text{s}$

**Table 10. WRITE CYCLE LIMITS**

Symbol	Parameter	Min	Max	Units
$t_{WR}$	Write Cycle Time		5	ms

**Table 11. RELIABILITY CHARACTERISTICS** (Over recommended operating conditions unless otherwise stated.)

Symbol	Parameter	Reference Test Method	Min	Max	Units
$N_{END}$ (Note 13)	Endurance	MIL-STD-883, Test Method 1033	100,000		Cycles/Byte
$T_{DR}$ (Note 13)	Data Retention	MIL-STD-883, Test Method 1008	100		Years

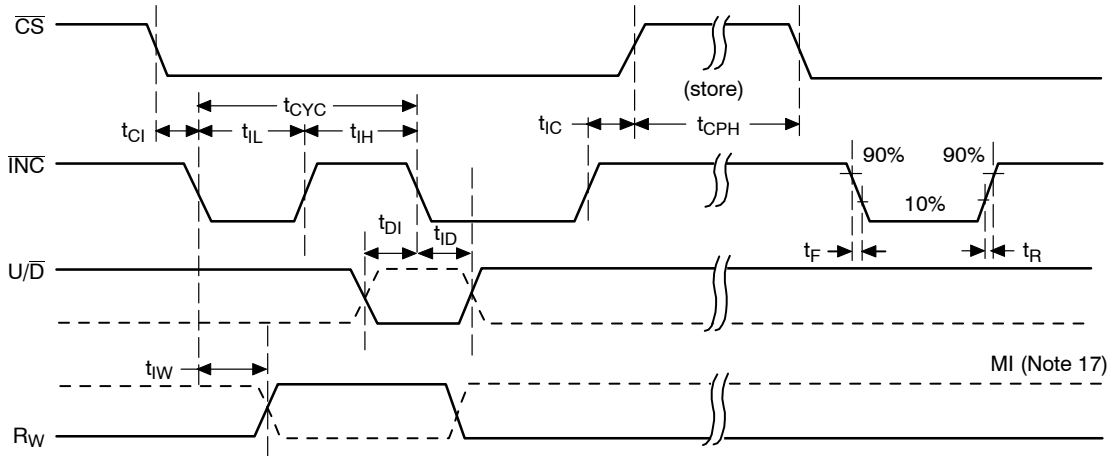
13. This parameter is tested initially and after a design or process change that affects the parameter.

14.  $t_{PUR}$  and  $t_{PUW}$  are the delays required from the time  $V_{CC}$  is stable until the time the specified operation can be initiated.

# CAT5133

**Table 12. A.C. OPERATING CHARACTERISTICS** ( $V_{CC} = +2.5\text{ V to }+6.0\text{ V}$ ,  $V_H = V_{CC}$ ,  $V_L = 0\text{ V}$ , unless otherwise specified.)

Symbol	Parameter	Min	Typ (Note 15)	Max	Units
$t_{CI}$	$\overline{CS}$ to $\overline{INC}$ Setup	100			ns
$t_{DI}$	$U/\overline{D}$ to $\overline{INC}$ Setup	50			ns
$t_{ID}$	$U/\overline{D}$ to $\overline{INC}$ Hold	100			ns
$t_{iL}$	$\overline{INC}$ LOW Period	250			ns
$t_{iH}$	$\overline{INC}$ HIGH Period	250			ns
$t_{iC}$	$\overline{INC}$ Inactive to $\overline{CS}$ Inactive	1			$\mu\text{s}$
$t_{CPH}$	$\overline{CS}$ Deselect Time (NO STORE)	100			ns
$t_{CPH}$	$\overline{CS}$ Deselect Time (STORE)	10			ms
$t_{iW}$	$\overline{INC}$ to $V_{OUT}$ Change		1	5	$\mu\text{s}$
$t_{CYC}$	$\overline{INC}$ Cycle Time	1			$\mu\text{s}$
$t_R, t_F$ (Note 16)	$\overline{INC}$ Input Rise and Fall Time			500	$\mu\text{s}$
$t_{PU}$ (Note 16)	Power-up to Wiper Stable			1	ms
$t_{WR}$	Store Cycle		5	10	ms



**Figure 3. A.C. Timing**

15. Typical values are for  $T_A = 25^\circ\text{C}$  and nominal supply voltage.

16. This parameter is periodically sampled and not 100% tested.

17. MI in the A.C. Timing diagram refers to the minimum incremental change in the W output due to a change in the wiper position.

TYPICAL PERFORMANCE CHARACTERISTICS

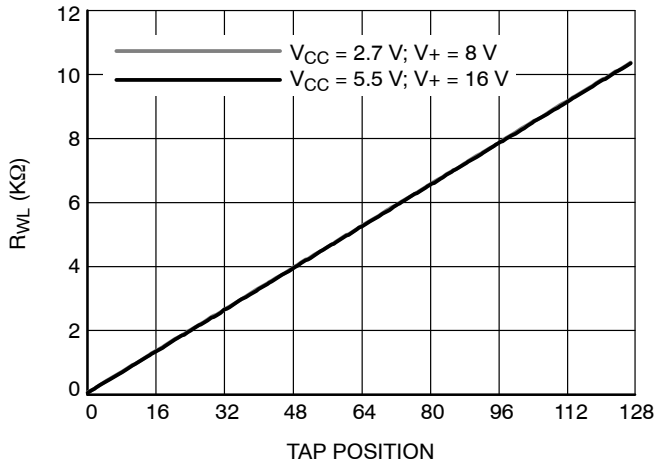


Figure 4. Resistance between  $R_W$  and  $R_L$

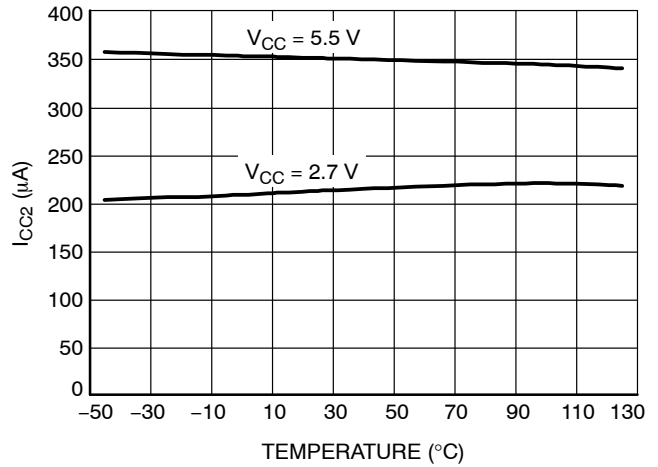


Figure 5.  $I_{CC2}$  (NV Write) vs. Temperature

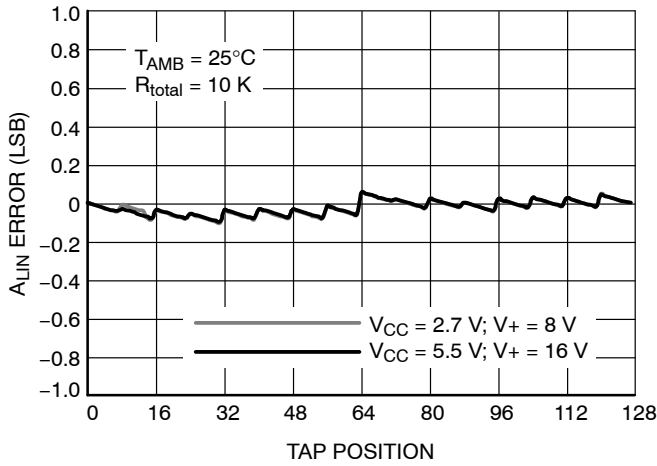


Figure 6. Absolute Linearity Error per Tap Position

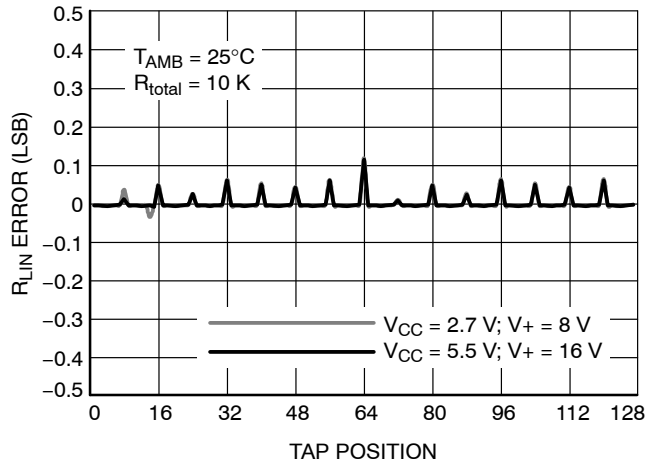
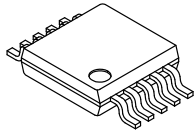


Figure 7. Relative Linearity Error

# MECHANICAL CASE OUTLINE

## PACKAGE DIMENSIONS

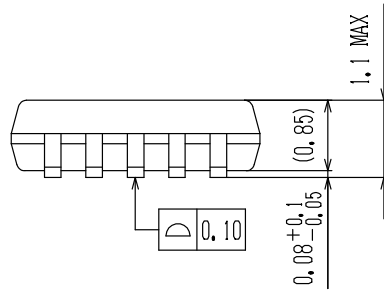
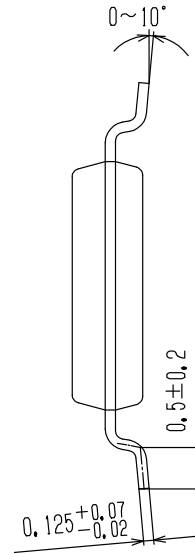
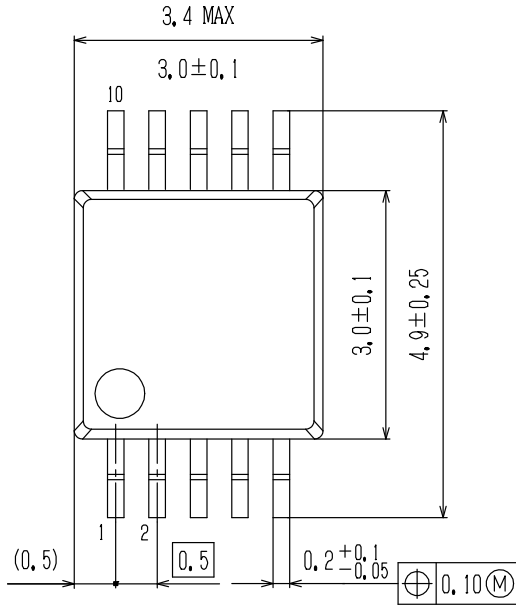
ON Semiconductor®



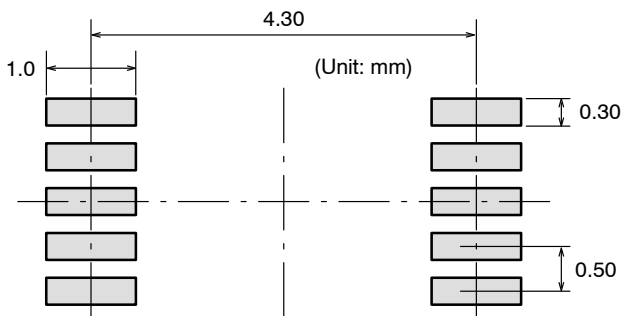
### Micro10 / MSOP10 (150 mil)

CASE 846AG  
ISSUE A

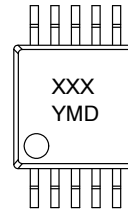
DATE 23 OCT 2013



### SOLDERING FOOTPRINT\*



### GENERIC MARKING DIAGRAM\*



XXX = Specific Device Code  
Y = Year  
M = Month  
D = Additional Traceability Data

NOTE: The measurements are not to guarantee but for reference only.

\*For additional information on our Pb-Free strategy and soldering details, please download the ON Semiconductor Soldering and Mounting Techniques Reference Manual, SOLDERRM/D.

\*This information is generic. Please refer to device data sheet for actual part marking. Pb-Free indicator, "G" or microdot "•", may or may not be present.

<b>DOCUMENT NUMBER:</b>	<b>98AON67237E</b>	Electronic versions are uncontrolled except when accessed directly from the Document Repository. Printed versions are uncontrolled except when stamped "CONTROLLED COPY" in red.
<b>DESCRIPTION:</b>	<b>MICRO10 / MSOP10 (150 MIL)</b>	<b>PAGE 1 OF 1</b>

ON Semiconductor and are trademarks of Semiconductor Components Industries, LLC dba ON Semiconductor or its subsidiaries in the United States and/or other countries. ON Semiconductor reserves the right to make changes without further notice to any products herein. ON Semiconductor makes no warranty, representation or guarantee regarding the suitability of its products for any particular purpose, nor does ON Semiconductor assume any liability arising out of the application or use of any product or circuit, and specifically disclaims any and all liability, including without limitation special, consequential or incidental damages. ON Semiconductor does not convey any license under its patent rights nor the rights of others.



**onsemi**, **Onsemi**, and other names, marks, and brands are registered and/or common law trademarks of Semiconductor Components Industries, LLC dba "**onsemi**" or its affiliates and/or subsidiaries in the United States and/or other countries. **onsemi** owns the rights to a number of patents, trademarks, copyrights, trade secrets, and other intellectual property. A listing of **onsemi**'s product/patent coverage may be accessed at [www.onsemi.com/site/pdf/Patent-Marking.pdf](http://www.onsemi.com/site/pdf/Patent-Marking.pdf). **onsemi** reserves the right to make changes at any time to any products or information herein, without notice. The information herein is provided "as-is" and **onsemi** makes no warranty, representation or guarantee regarding the accuracy of the information, product features, availability, functionality, or suitability of its products for any particular purpose, nor does **onsemi** assume any liability arising out of the application or use of any product or circuit, and specifically disclaims any and all liability, including without limitation special, consequential or incidental damages. Buyer is responsible for its products and applications using **onsemi** products, including compliance with all laws, regulations and safety requirements or standards, regardless of any support or applications information provided by **onsemi**. "Typical" parameters which may be provided in **onsemi** data sheets and/or specifications can and do vary in different applications and actual performance may vary over time. All operating parameters, including "Typicals" must be validated for each customer application by customer's technical experts. **onsemi** does not convey any license under any of its intellectual property rights nor the rights of others. **onsemi** products are not designed, intended, or authorized for use as a critical component in life support systems or any FDA Class 3 medical devices or medical devices with a same or similar classification in a foreign jurisdiction or any devices intended for implantation in the human body. Should Buyer purchase or use **onsemi** products for any such unintended or unauthorized application, Buyer shall indemnify and hold **onsemi** and its officers, employees, subsidiaries, affiliates, and distributors harmless against all claims, costs, damages, and expenses, and reasonable attorney fees arising out of, directly or indirectly, any claim of personal injury or death associated with such unintended or unauthorized use, even if such claim alleges that **onsemi** was negligent regarding the design or manufacture of the part. **onsemi** is an Equal Opportunity/Affirmative Action Employer. This literature is subject to all applicable copyright laws and is not for resale in any manner.

## ADDITIONAL INFORMATION

### TECHNICAL PUBLICATIONS:

Technical Library: [www.onsemi.com/design/resources/technical-documentation](http://www.onsemi.com/design/resources/technical-documentation)  
onsemi Website: [www.onsemi.com](http://www.onsemi.com)

### ONLINE SUPPORT: [www.onsemi.com/support](http://www.onsemi.com/support)

For additional information, please contact your local Sales Representative at [www.onsemi.com/support/sales](http://www.onsemi.com/support/sales)