

# CAT3647

## 3-Channel Ultra High Efficiency LED Driver with 32 Dimming Levels

### Description

The CAT3647 is a high efficiency fractional charge pump that can drive up to three LEDs programmable by a one wire digital interface. The inclusion of a 1.33x fractional charge pump mode increases device efficiency by up to 10% over traditional 1.5x charge pumps with no added external capacitors.

Low noise input ripple is achieved by operating at a constant switching frequency which allows the use of small external ceramic capacitors. The multi-fractional charge pump supports a wide range of input voltages from 2.4 V to 5.5 V.

The EN/DIM logic input functions as a chip enable and a digital dimming interface for setting the current in all the LED channels. The 1-wire pulse-dimming interface supports 32 linear steps from full-scale down to zero current.

The device is available in the tiny 16-pad TQFN 3 mm x 3 mm package with a max height of 0.8 mm.

ON Semiconductor's 1.33x, charge pump switching architecture is patented.

### Features

- High Efficiency 1.33x Charge Pump
- Charge Pump: 1x, 1.33x, 1.5x, 2x
- Drives up to 3 LEDs at 30 mA Each
- 1-wire EZDim 32 Linear Steps
- Power Efficiency up to 92%
- Low Noise Input Ripple in All Modes
- "Zero" Current Shutdown Mode
- Soft Start and Current Limiting
- Short Circuit Protection
- Thermal Shutdown Protection
- 16-pad TQFN Package
- These Devices are Pb-Free, Halogen Free/BFR Free and are RoHS Compliant

### Applications

- LCD Display Backlight
- Cellular Phones
- Digital Still Cameras
- Handheld Devices



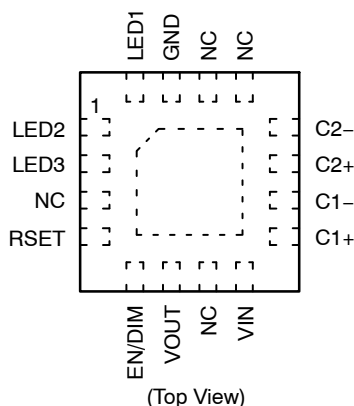
ON Semiconductor®

<http://onsemi.com>



TQFN-16  
HV3 SUFFIX  
CASE 510AD

### PIN CONNECTIONS



### MARKING DIAGRAM



JAAP = CAT3647HV3-GT2

A = Assembly Location

XXX = Last Three Digits of Assembly Lot Number

Y = Production Year (Last Digit)

WW = Production Week (Two Digits)

### ORDERING INFORMATION

| Device                     | Package              | Shipping†             |
|----------------------------|----------------------|-----------------------|
| CAT3647HV3-GT2<br>(Note 1) | TQFN-16<br>(Pb-Free) | 2,000/<br>Tape & Reel |

†For information on tape and reel specifications, including part orientation and tape sizes, please refer to our Tape and Reel Packaging Specifications Brochure, BRD8011/D.

1. NiPdAu Plated Finish (RoHS-compliant).

# CAT3647

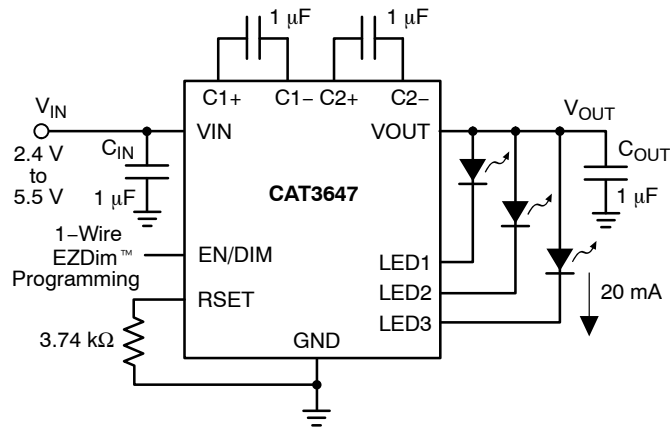


Figure 1. Typical Application Circuit

Table 1. ABSOLUTE MAXIMUM RATINGS

| Parameter                                 | Rating      | Unit |
|---|-------------|------|
| VIN, LEDx, C1±, C2±, EN/DIM, RSET voltage | 6           | V    |
| VOUT voltage                              | 7           | V    |
| Storage Temperature Range                 | -65 to +160 | °C   |
| Junction Temperature Range                | -40 to +150 | °C   |

Stresses exceeding those listed in the Maximum Ratings table may damage the device. If any of these limits are exceeded, device functionality should not be assumed, damage may occur and reliability may be affected.

Table 2. RECOMMENDED OPERATING CONDITIONS

| Parameter                    | Rating     | Unit |
|------------------------------|------------|------|
| VIN                          | 2.5 to 5.5 | V    |
| Ambient Temperature Range    | -40 to +85 | °C   |
| I <sub>LED</sub> per LED pin | up to 30   | mA   |
| LED Forward Voltage Range    | 1.3 to 4.3 | V    |

Functional operation above the stresses listed in the Recommended Operating Ranges is not implied. Extended exposure to stresses beyond the Recommended Operating Ranges limits may affect device reliability.

NOTE: Typical application circuit with external components is shown above.

# CAT3647

**Table 3. ELECTRICAL OPERATING CHARACTERISTICS**

(over recommended operating conditions unless specified otherwise)  $V_{IN} = 3.6\text{ V}$ ,  $EN = \text{High}$ ,  $T_{AMB} = 25^{\circ}\text{C}$

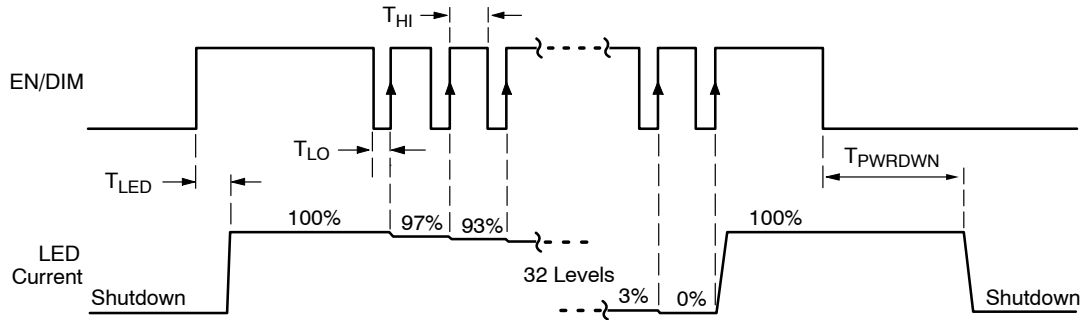
| Symbol                               | Name   | Conditions   | Min      | Typ                      | Max        | Units                |
|--------------------------------------|--|--|----------|--------------------------|------------|----------------------|
| $I_Q$                                | Quiescent Current  | 1x mode, excluding load<br>1.33x mode, excluding load<br>1.5x mode, excluding load<br>2x mode, excluding load          |          | 1.0<br>1.7<br>2.2<br>2.4 |            | mA                   |
| $I_{QSHDN}$                          | Shutdown Current   | $V_{EN} = 0\text{ V}$  |          |                          | 1          | $\mu\text{A}$        |
| $I_{LED-ACC}$                        | LED Current Setting  | RSET = 3.74 k $\Omega$   |          | 20                       |            | mA                   |
|                                      |  | RSET = 7.50 k $\Omega$   |          | 10                       |            |                      |
| $I_{LED-ACC}$                        | LED Current Accuracy   | $(I_{LEDAVG} - I_{NOMINAL}) / I_{NOMINAL}$<br>RSET = 4.99 k $\Omega$   |          | $\pm 2$                  |            | %                    |
| $I_{LED-DEV}$                        | LED Channel Matching   | $(I_{LED} - I_{LEDAVG}) / I_{LEDAVG}$  |          | $\pm 1.5$                |            | %                    |
| $V_{RSET}$                           | RSET Regulated Voltage   |  | 0.58     | 0.6                      | 0.62       | V                    |
| $R_{OUT}$                            | Output Resistance (open loop)  | 1x mode<br>1.33x mode, $V_{IN} = 3\text{ V}$<br>1.5x mode, $V_{IN} = 2.7\text{ V}$<br>2x mode, $V_{IN} = 2.4\text{ V}$ |          | 0.8<br>5<br>5<br>10      |            | $\Omega$             |
| $F_{OSC}$                            | Charge Pump Frequency  | 1.33x and 2x mode<br>1.5x mode   | 0.8<br>1 | 1<br>1.3                 | 1.3<br>1.6 | MHz                  |
| $I_{SC\_MAX}$                        | Output short circuit Current Limit   | $V_{OUT} < 0.5\text{ V}$   |          | 50                       |            | mA                   |
| $I_{IN\_MAX}$                        | Input Current Limit  | $V_{OUT} > 1\text{ V}$ , 1x mode   |          | 250                      |            | mA                   |
| $LED_{TH}$                           | 1x to 1.33x or 1.33x to 1.5x or 1.5x to 2x<br>Transition Thresholds at any LED pin     |  |          | 130                      |            | mV                   |
| $V_{HYS}$                            | 1x Mode Transition Hysteresis  |  |          | 400                      |            | mV                   |
| $T_{DF}$                             | Mode Transition Filter Delay   |  |          | 120                      |            | $\mu\text{s}$        |
| $R_{EN/DIM}$<br>$V_{HI}$<br>$V_{LO}$ | EN/DIM Pin<br>– Internal Pull-down Resistor<br>– Logic High Level<br>– Logic Low Level |  | 1.3      | 100                      | 0.4        | k $\Omega$<br>V<br>V |
| $T_{SD}$                             | Thermal Shutdown   |  |          | 150                      |            | $^{\circ}\text{C}$   |
| $T_{HYS}$                            | Thermal Hysteresis   |  |          | 20                       |            | $^{\circ}\text{C}$   |
| $V_{UVLO}$                           | Undervoltage lockout (UVLO) threshold  |  | 1.6      | 1.8                      | 2.0        | V                    |

Product parametric performance is indicated in the Electrical Characteristics for the listed test conditions, unless otherwise noted. Product performance may not be indicated by the Electrical Characteristics if operated under different conditions.

**Table 4. RECOMMENDED EN/DIM TIMING**

(For  $2.4\text{ V} \leq V_{IN} \leq 5.5\text{ V}$ , over full ambient temperature range  $-40^{\circ}\text{C}$  to  $+85^{\circ}\text{C}$ .)

| Symbol              | Name                        | Conditions | Min | Typ | Max | Units |
|---------------------|-----------------------------|------------|-----|-----|-----|-------|
| T <sub>LO</sub>     | EN/DIM program low time     |            | 0.2 |     | 100 | μs    |
| T <sub>HI</sub>     | EN/DIM program high time    |            | 0.2 |     |     | μs    |
| T <sub>PWRDWN</sub> | EN/DIM low time to shutdown |            | 1.5 |     |     | ms    |
| T <sub>LED</sub>    | LED current settling time   |            |     | 40  |     | μs    |



**Figure 2. EN/DIM Digital Dimming Timing Diagram**

**LED Current Setting**

The full scale LED current is set by the external resistor connected between the RSET pin and ground. Table 5 lists standard resistor values for several LED current settings.

**Table 5. RESISTOR RSET AND LED CURRENT**

| Full Scale LED Current [mA] | RSET [kΩ] |
|-----------------------------|-----------|
| 2                           | 37.4      |
| 5                           | 14.7      |
| 10                          | 7.50      |
| 15                          | 4.99      |
| 20                          | 3.74      |
| 25                          | 3.00      |
| 30                          | 2.49      |

TYPICAL PERFORMANCE CHARACTERISTICS

( $V_{IN} = 3.6\text{ V}$ ,  $I_{OUT} = 60\text{ mA}$  (3 LEDs at 20 mA),  $C_{IN} = C_{OUT} = C_1 = C_2 = 1\ \mu\text{F}$ ,  $T_{AMB} = 25^\circ\text{C}$  unless otherwise specified.)

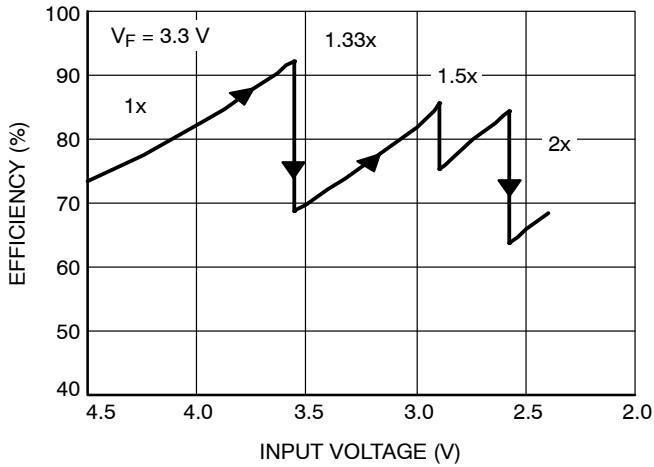


Figure 3. Efficiency vs. Input Voltage

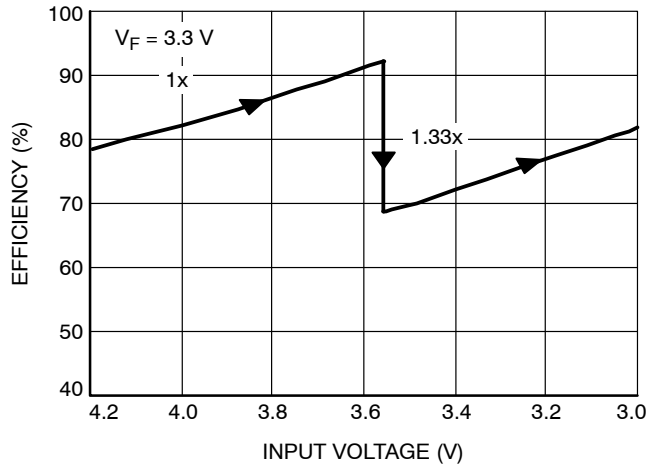


Figure 4. Efficiency vs. Li-Ion Voltage

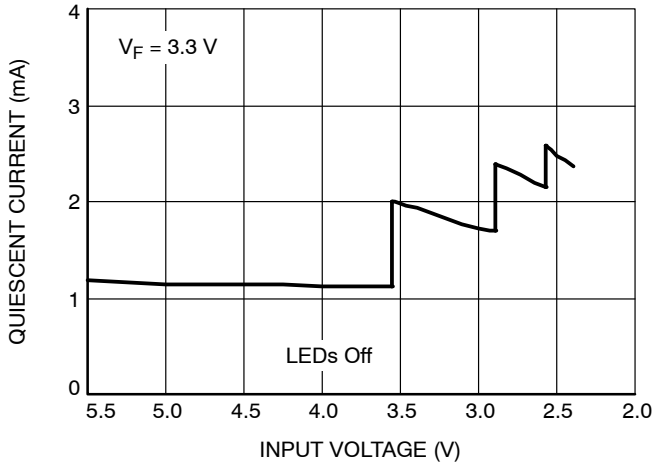


Figure 5. Quiescent Current vs. Input Voltage

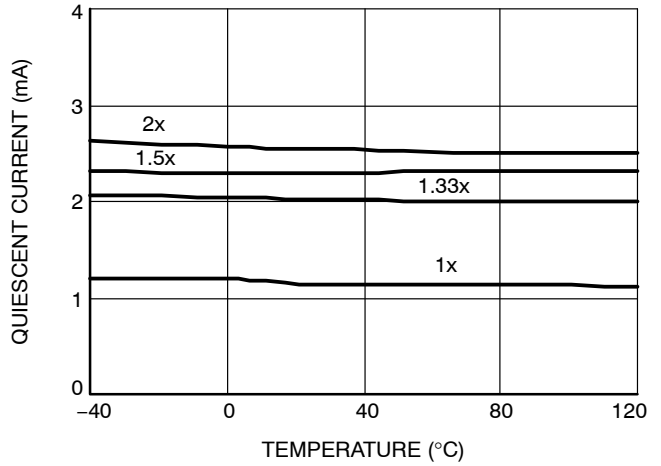


Figure 6. Quiescent Current vs. Temperature

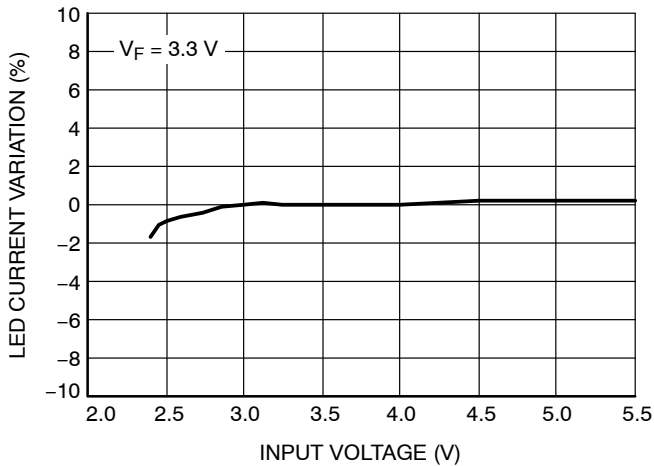


Figure 7. LED Current Change vs. Input Voltage

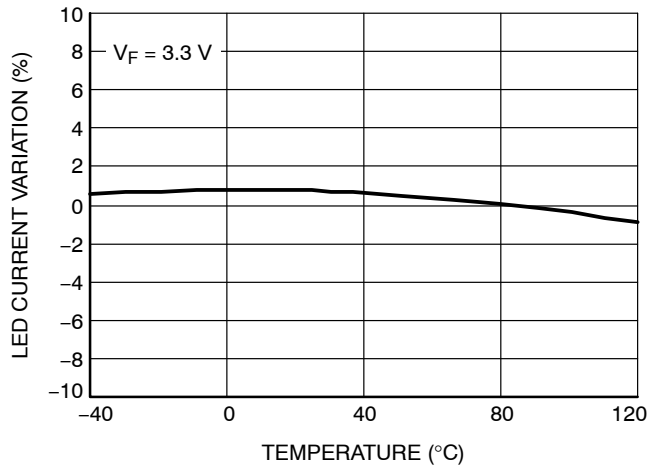


Figure 8. LED Current Change vs. Temperature

TYPICAL PERFORMANCE CHARACTERISTICS

( $V_{IN} = 3.6\text{ V}$ ,  $I_{OUT} = 60\text{ mA}$  (3 LEDs at 20 mA),  $C_{IN} = C_{OUT} = C_1 = C_2 = 1\text{ }\mu\text{F}$ ,  $T_{AMB} = 25^\circ\text{C}$  unless otherwise specified.)

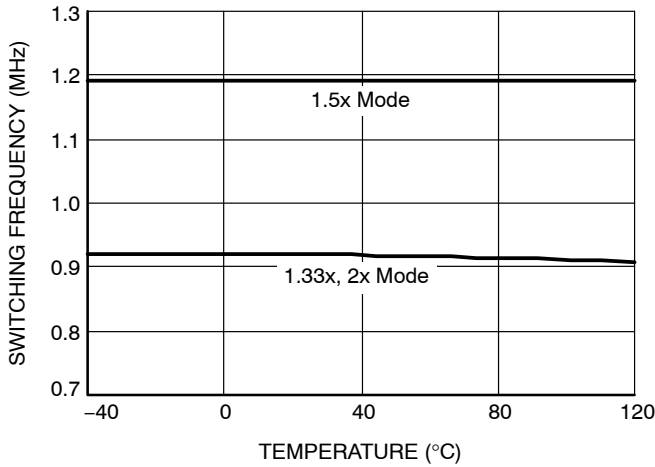


Figure 9. Switching Frequency vs. Temperature

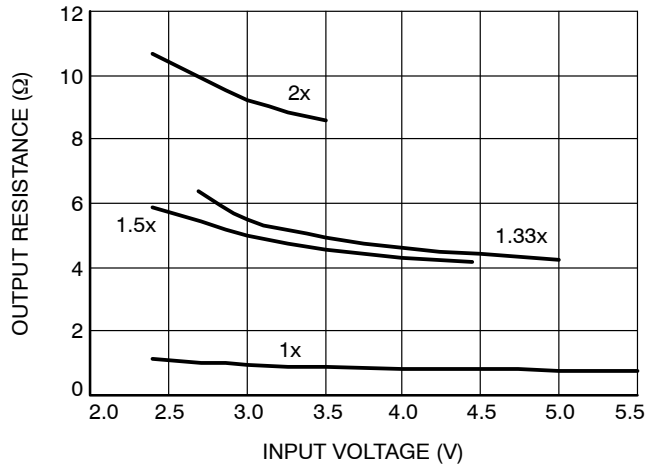


Figure 10. Output Resistance vs. Input Voltage

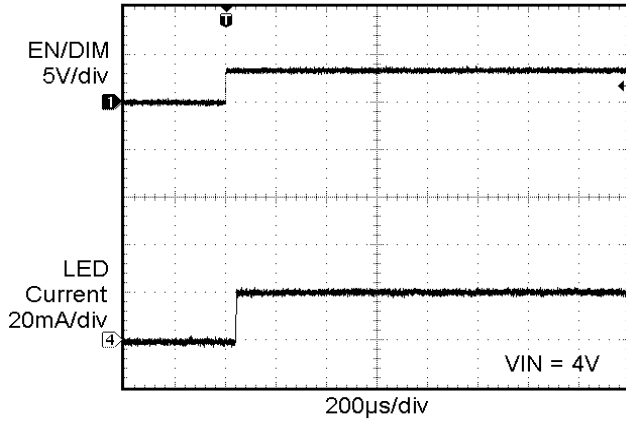


Figure 11. Power Up in 1x Mode

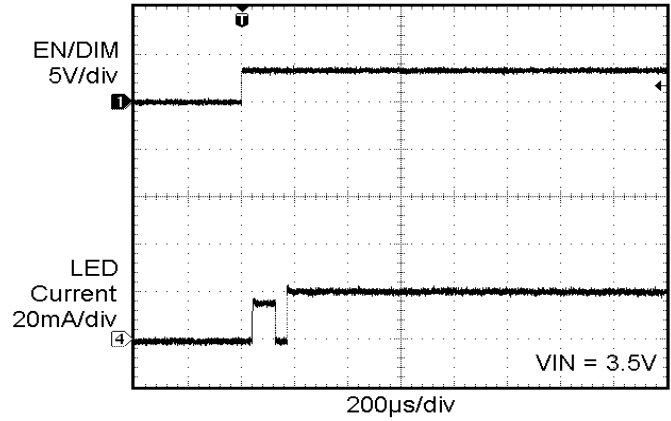


Figure 12. Power Up in 1.33x Mode

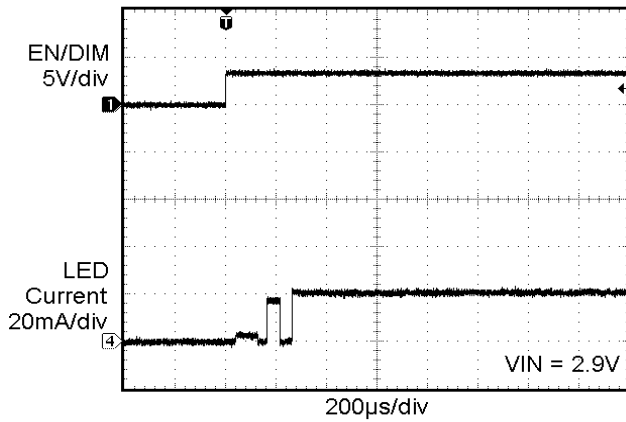


Figure 13. Power Up in 1.5x Mode

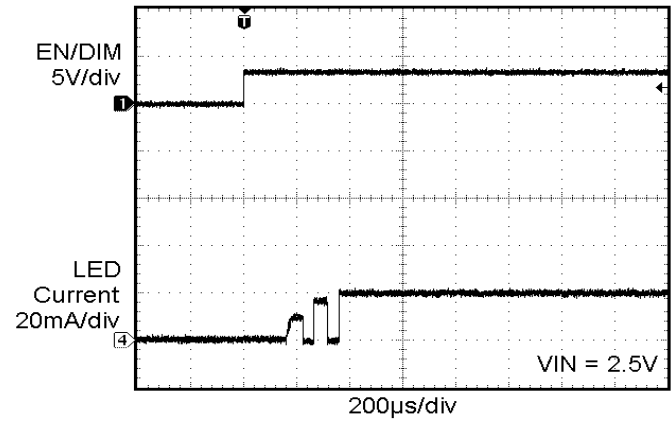


Figure 14. Power Up in 2x Mode

TYPICAL PERFORMANCE CHARACTERISTICS

( $V_{IN} = 3.6\text{ V}$ ,  $I_{OUT} = 60\text{ mA}$  (3 LEDs at 20 mA),  $C_{IN} = C_{OUT} = C_1 = C_2 = 1\ \mu\text{F}$ ,  $T_{AMB} = 25^\circ\text{C}$  unless otherwise specified.)

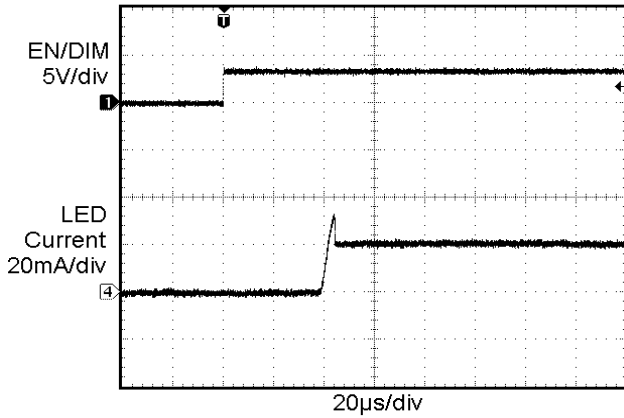


Figure 15. Power Up Delay (1x Mode)

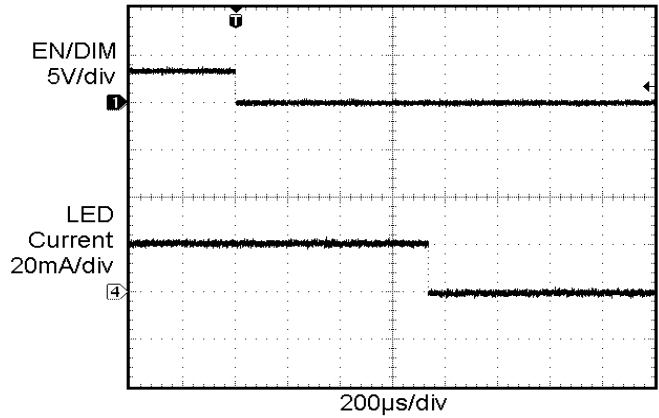


Figure 16. Power Down Delay (1x Mode)

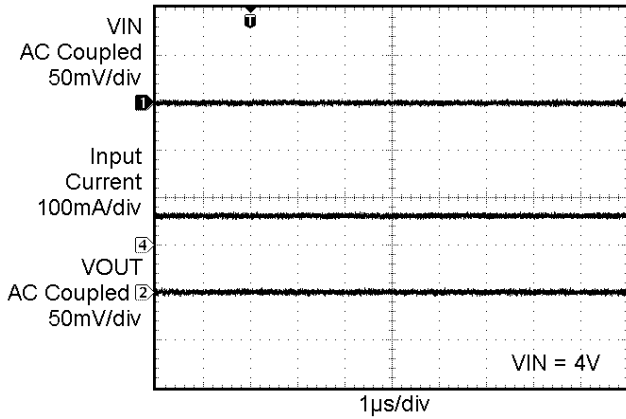


Figure 17. Operating Waveforms in 1x Mode

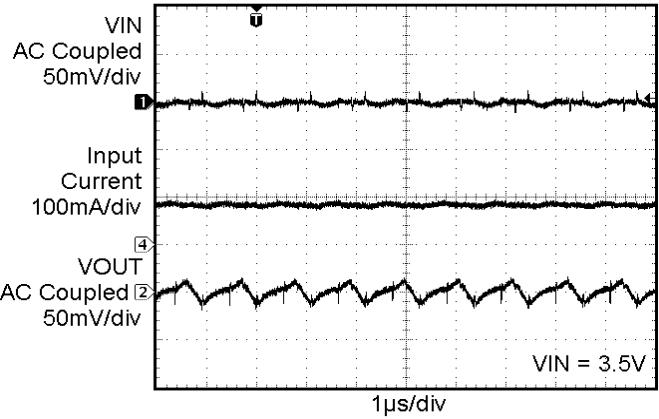


Figure 18. Switching Waveforms in 1.33x Mode

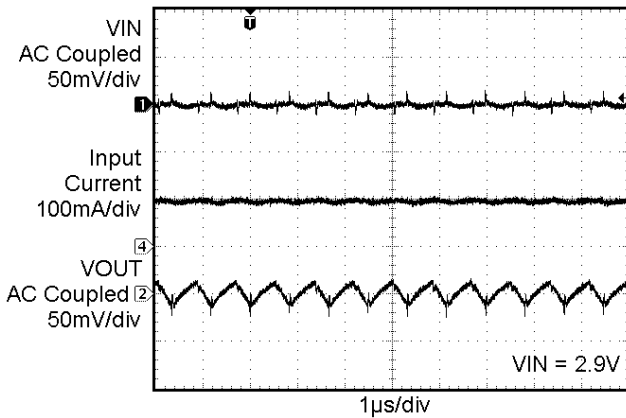


Figure 19. Switching Waveforms in 1.5x Mode

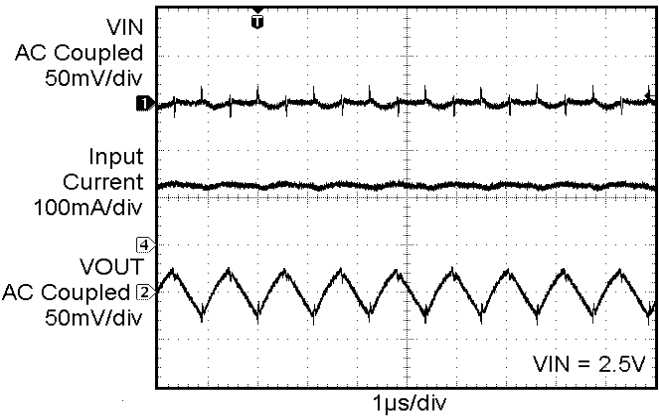


Figure 20. Switching Waveforms in 2x Mode

**TYPICAL PERFORMANCE CHARACTERISTICS**

( $V_{IN} = 3.6\text{ V}$ ,  $I_{OUT} = 60\text{ mA}$  (3 LEDs at 20 mA),  $C_{IN} = C_{OUT} = C_1 = C_2 = 1\ \mu\text{F}$ ,  $T_{AMB} = 25^\circ\text{C}$  unless otherwise specified.)

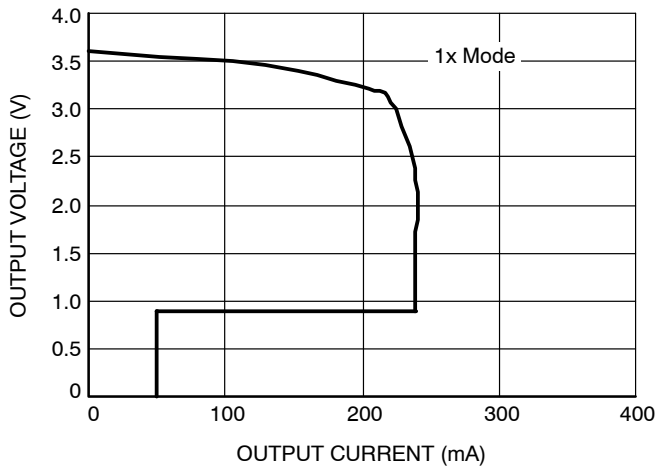


Figure 21. Foldback Current Limit

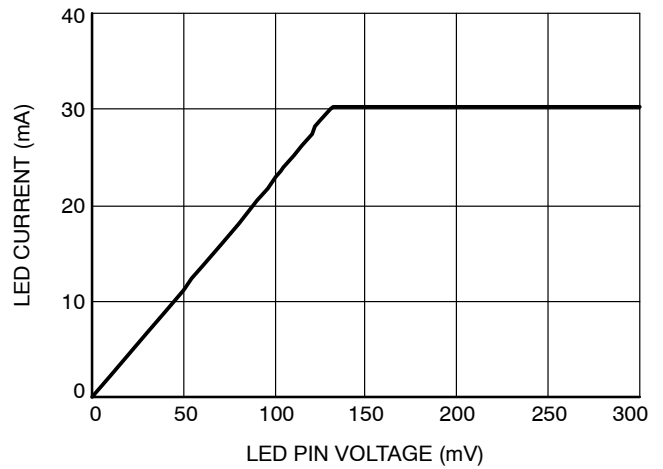


Figure 22. LED Current vs. LED Pin Voltage

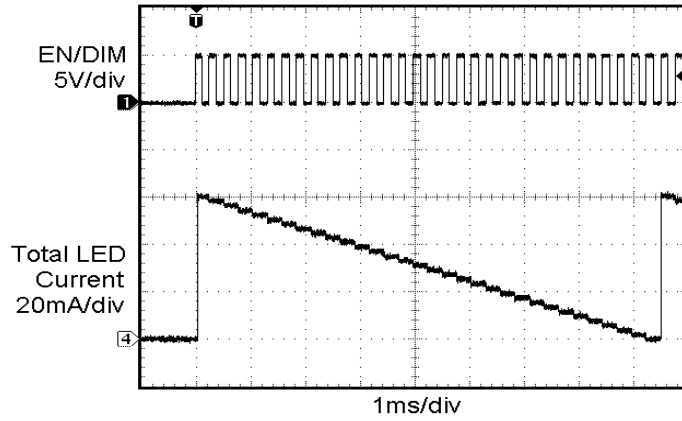


Figure 23. Dimming Waveform



Table 6. PIN DESCRIPTION

| Name   | Function   |
|--------|--|
| LED1   | LED1 cathode terminal.                           |
| LED2   | LED2 cathode terminal.                           |
| LED3   | LED3 cathode terminal.                           |
| RSET   | Connect resistor RSET to set the LED current.    |
| EN/DIM | Device enable (active high) and Dimming Control. |
| VOUT   | Charge pump output connected to the LED anodes.  |
| VIN    | Charge pump input, connect to battery or supply. |
| C1+    | Bucket capacitor 1 Positive terminal             |
| C1-    | Bucket capacitor 1 Negative terminal             |
| C2+    | Bucket capacitor 2 Positive terminal             |
| C2-    | Bucket capacitor 2 Negative terminal             |
| GND    | Ground Reference                                 |
| NC     | Not connected inside package.                    |
| GND    | Connect to GND on the PCB.                       |

**Pin Function**

**VIN** is the supply pin for the charge pump. A small 1  $\mu$ F ceramic bypass capacitor is required between the VIN pin and ground near the device. The operating input voltage range is from 2.5 V to 5.5 V. Whenever the input supply falls below the under-voltage threshold (1.8 V), all the LED channels are disabled and the device enters shutdown mode.

**EN/DIM** is the enable and one wire dimming input for all LED channels. Levels of logic high and logic low are set at 1.3 V and 0.4 V respectively. When EN/DIM is initially taken high, the device becomes enabled and all LED currents are set to the full scale according to the resistor R<sub>SET</sub>. To place the device into “zero current” shutdown mode, the EN/DIM pin must be held low for at least 1.5 ms.

**VOUT** is the charge pump output that is connected to the LED anodes. A small 1  $\mu$ F ceramic bypass capacitor is required between the VOUT pin and ground near the device.

**GND** is the ground reference for the charge pump. The pin must be connected to the ground plane on the PCB.

**C1+, C1-** are connected to each side of the ceramic bucket capacitor C<sub>1</sub>.

**C2+, C2-** are connected to each side of the ceramic bucket capacitor C<sub>2</sub>.

**LED1, LED2, LED3** provide the internal regulated current sources for each of the LED cathodes. These pins enter high-impedance zero current state whenever the device is placed in shutdown mode.

**TAB** is the exposed pad underneath the package. For best thermal performance, the tab should be soldered to the PCB and connected to the ground plane.

**RSET** is connected to the resistor (R<sub>SET</sub>) to set the full scale current for the LEDs. The voltage at this pin regulated to 0.6 V. The ground side of the external resistor should be star connected back to the GND of the PCB. In shutdown mode, RSET becomes high impedance.

Block Diagram

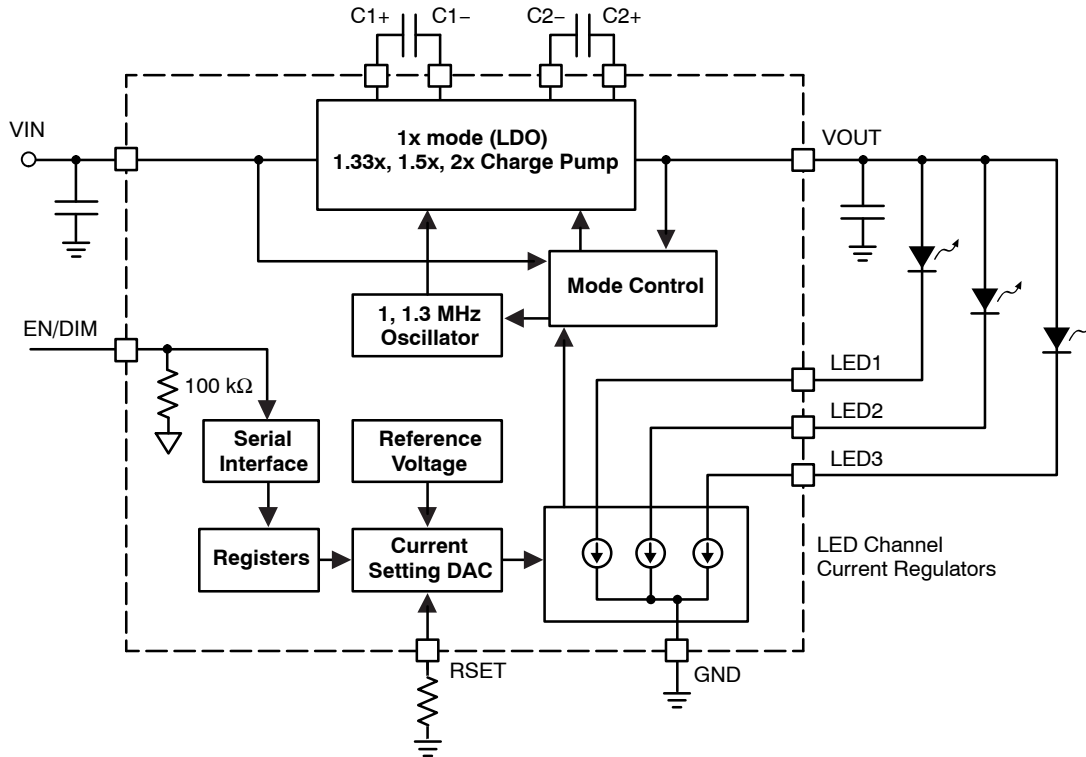


Figure 24. CAT3647 Functional Block Diagram

Basic Operation

At power-up, the CAT3647 starts operating in 1x mode where the output will be approximately equal to the input supply voltage (less any internal voltage losses). If the output voltage is sufficient to regulate all LED currents, the device remains in 1x operating mode.

If the input voltage is insufficient or falls to a level where the regulated currents cannot be maintained, the device automatically switches into 1.33x mode (after a fixed delay time of about 120  $\mu$ s). In 1.33x mode, the output voltage is approximately equal to 1.33 times the input supply voltage (less any internal voltage losses).

This sequence repeats in the 1.33x and 1.5x mode until the driver enters the 2x mode. In 1.5x mode, the output voltage is approximately equal to 1.5 times the input supply voltage. While in 2x mode, the output is approximately equal to 2 times the input supply voltage.

If the device detects a sufficient input voltage is present to drive all LED currents in 1x mode, it will change automatically back to 1x mode. This only applies for changing back to the 1x mode. The difference between the input voltage when exiting 1x mode and returning to 1x mode is called the 1x mode transition hysteresis ( $V_{HYS}$ ) and is about 400 mV.

**LED Current Selection**

After power-up, the LED current is set by the external resistor (R<sub>SET</sub>) value and the number of pulses (n) on the EN/DIM input as follows:

$$\text{LED current} = 125 \times \frac{0.6 \text{ V}}{R_{\text{SET}}} \times \left( \frac{31 - n}{31} \right)$$

The full scale current is calculated from the above formula with n equal to zero.

The EN/DIM pin has two primary functions. One function enables and disables the device. The other function is LED current dimming with 32 different levels by pulsing the input signal, as shown on Figure 25. On each consecutive pulse rising edge, the LED current is decreased by about 3.2% (1/31<sup>th</sup> of the full scale value). After 30 pulses, the LED current is 3.2% of the full scale current. On the 31<sup>st</sup> pulse, the current drops to zero, and then goes back to full scale on the following pulse.

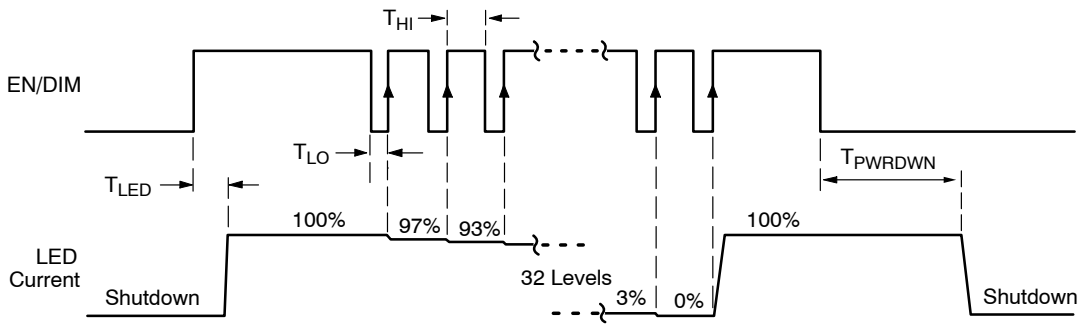
Each pulse width should be between 200 ns and 100 μs. Pulses faster than the minimum T<sub>LO</sub> may be ignored and filtered by the device. Pulses longer than the maximum T<sub>LO</sub> may shutdown the device. By pulsing the EN/DIM signal at high frequency, the LED current can quickly be set to zero.

The LED driver enters a “zero current” shutdown mode if EN/DIM is held low for 1.5 ms or more.

The dimming level is set by the number of pulses on the EN/DIM after the power-up, as shown in Table 7.

**Table 7. DIMMING LEVELS**

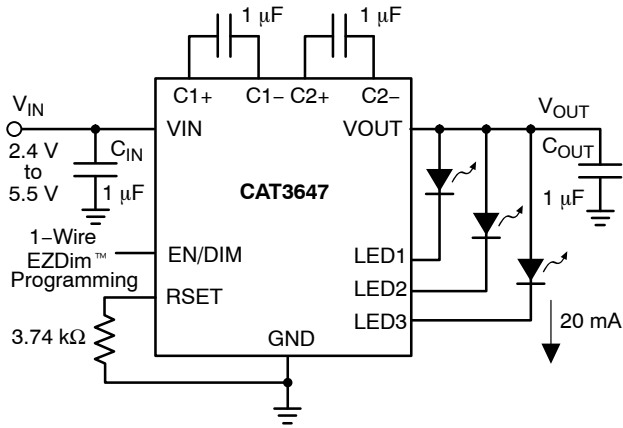
| Full Scale Current in % | Dimming Pulses [n] |
|-------------------------|--------------------|
| 100                     | 0                  |
| 97                      | 1                  |
| 94                      | 2                  |
| 90                      | 3                  |
| 87                      | 4                  |
| 84                      | 5                  |
| 81                      | 6                  |
| 77                      | 7                  |
| 74                      | 8                  |
| 71                      | 9                  |
| 68                      | 10                 |
| 65                      | 11                 |
| 61                      | 12                 |
| 58                      | 13                 |
| 55                      | 14                 |
| 52                      | 15                 |
| 48                      | 16                 |
| 45                      | 17                 |
| 42                      | 18                 |
| 39                      | 19                 |
| 35                      | 20                 |
| 32                      | 21                 |
| 29                      | 22                 |
| 26                      | 23                 |
| 23                      | 24                 |
| 19                      | 25                 |
| 16                      | 26                 |
| 13                      | 27                 |
| 10                      | 28                 |
| 6                       | 29                 |
| 3                       | 30                 |
| 0                       | 31                 |
| 100                     | 32                 |



**Figure 25. EN/DIM Digital Dimming Timing Diagram**

**Unused LED Channels**

For applications not requiring all the channels, it is recommended the unused LED pins be tied directly to VOUT (see Figure 26).



**Figure 26. Application with 2 LEDs**

**Protection Mode**

If an LED is disconnected, the driver senses that and automatically ignores that channel. When all LEDs are disconnected, the driver goes to 1x mode where the output is equal to the input voltage.

As soon as the output exceeds about 6 V, the driver resets itself and re-evaluates the mode.

If the die temperature exceeds +150°C, the driver will enter a thermal protection shutdown mode. When the device temperature drops by about 20°C, the device will resume normal operation.

**LED Selection**

LEDs with forward voltages ( $V_F$ ) ranging from 1.3 V to 4.3 V may be used. Selecting LEDs with lower  $V_F$  is recommended in order to improve the efficiency by keeping the driver in 1x mode longer as the battery voltage decreases.

For example, if a white LED with a  $V_F$  of 3.3 V is selected over one with  $V_F$  of 3.5 V, the driver will stay in 1x mode for lower supply voltage of 0.2 V. This helps improve the efficiency and extends battery life.

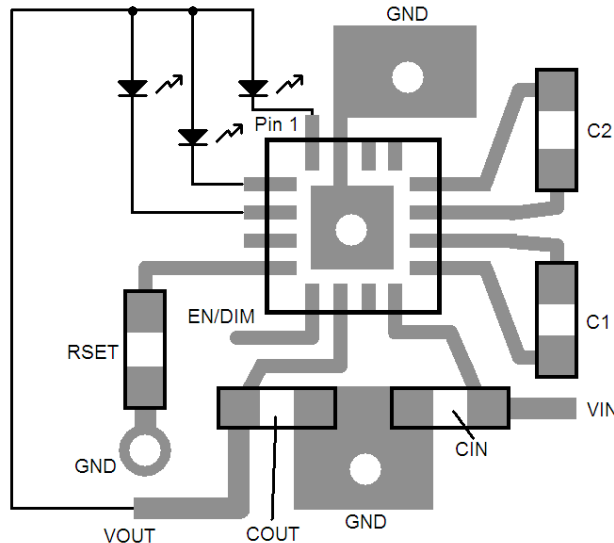
**External Components**

The driver requires four external 1 μF ceramic capacitors for decoupling input, output, and for the charge pump. Both capacitors type X5R and X7R are recommended for the LED driver application. In all charge pump modes, the input current ripple is kept very low by design and an input bypass capacitor of 1 μF is sufficient.

In 1x mode, the device operates in linear mode and does not introduce switching noise back onto the supply.

**Recommended Layout**

In charge pump mode, the driver switches internally at a high frequency. It is recommended to minimize trace length to all four capacitors. A ground plane should cover the area under the driver IC as well as the bypass capacitors. Short connection to ground on capacitors  $C_{IN}$  and  $C_{OUT}$  can be implemented with the use of multiple via. A copper area matching the TQFN exposed pad (TAB) must be connected to the ground plane underneath. The use of multiple via improves the package heat dissipation.



**Figure 27. TQFN-16 Recommended Layout**

# MECHANICAL CASE OUTLINE

## PACKAGE DIMENSIONS

ON Semiconductor®



TQFN16, 3x3  
CASE 510AD-01  
ISSUE A

DATE 19 MAR 2008



| SYMBOL | MIN      | NOM  | MAX  |
|--------|----------|------|------|
| A      | 0.70     | 0.75 | 0.80 |
| A1     | 0.00     | 0.02 | 0.05 |
| A3     | 0.20 REF |      |      |
| b      | 0.18     | 0.25 | 0.30 |
| D      | 2.90     | 3.00 | 3.10 |
| D2     | 1.40     | ---  | 1.80 |
| E      | 2.90     | 3.00 | 3.10 |
| E2     | 1.40     | ---  | 1.80 |
| e      | 0.50 BSC |      |      |
| L      | 0.30     | 0.40 | 0.50 |

**Notes:**

- (1) All dimensions are in millimeters.
- (2) Complies with JEDEC MO-220.

|                         |                    |   |
|-------------------------|--------------------|---|
| <b>DOCUMENT NUMBER:</b> | <b>98AON34373E</b> | Electronic versions are uncontrolled except when accessed directly from the Document Repository.<br>Printed versions are uncontrolled except when stamped "CONTROLLED COPY" in red. |
| <b>DESCRIPTION:</b>     | <b>TQFN16, 3X3</b> | <b>PAGE 1 OF 1</b>  |

ON Semiconductor and are trademarks of Semiconductor Components Industries, LLC dba ON Semiconductor or its subsidiaries in the United States and/or other countries. ON Semiconductor reserves the right to make changes without further notice to any products herein. ON Semiconductor makes no warranty, representation or guarantee regarding the suitability of its products for any particular purpose, nor does ON Semiconductor assume any liability arising out of the application or use of any product or circuit, and specifically disclaims any and all liability, including without limitation special, consequential or incidental damages. ON Semiconductor does not convey any license under its patent rights nor the rights of others.

**onsemi**, **Onsemi**, and other names, marks, and brands are registered and/or common law trademarks of Semiconductor Components Industries, LLC dba "**onsemi**" or its affiliates and/or subsidiaries in the United States and/or other countries. **onsemi** owns the rights to a number of patents, trademarks, copyrights, trade secrets, and other intellectual property. A listing of **onsemi**'s product/patent coverage may be accessed at [www.onsemi.com/site/pdf/Patent-Marking.pdf](http://www.onsemi.com/site/pdf/Patent-Marking.pdf). **onsemi** reserves the right to make changes at any time to any products or information herein, without notice. The information herein is provided "as-is" and **onsemi** makes no warranty, representation or guarantee regarding the accuracy of the information, product features, availability, functionality, or suitability of its products for any particular purpose, nor does **onsemi** assume any liability arising out of the application or use of any product or circuit, and specifically disclaims any and all liability, including without limitation special, consequential or incidental damages. Buyer is responsible for its products and applications using **onsemi** products, including compliance with all laws, regulations and safety requirements or standards, regardless of any support or applications information provided by **onsemi**. "Typical" parameters which may be provided in **onsemi** data sheets and/or specifications can and do vary in different applications and actual performance may vary over time. All operating parameters, including "Typicals" must be validated for each customer application by customer's technical experts. **onsemi** does not convey any license under any of its intellectual property rights nor the rights of others. **onsemi** products are not designed, intended, or authorized for use as a critical component in life support systems or any FDA Class 3 medical devices or medical devices with a same or similar classification in a foreign jurisdiction or any devices intended for implantation in the human body. Should Buyer purchase or use **onsemi** products for any such unintended or unauthorized application, Buyer shall indemnify and hold **onsemi** and its officers, employees, subsidiaries, affiliates, and distributors harmless against all claims, costs, damages, and expenses, and reasonable attorney fees arising out of, directly or indirectly, any claim of personal injury or death associated with such unintended or unauthorized use, even if such claim alleges that **onsemi** was negligent regarding the design or manufacture of the part. **onsemi** is an Equal Opportunity/Affirmative Action Employer. This literature is subject to all applicable copyright laws and is not for resale in any manner.

## ADDITIONAL INFORMATION

### TECHNICAL PUBLICATIONS:

Technical Library: [www.onsemi.com/design/resources/technical-documentation](http://www.onsemi.com/design/resources/technical-documentation)  
onsemi Website: [www.onsemi.com](http://www.onsemi.com)

### ONLINE SUPPORT: [www.onsemi.com/support](http://www.onsemi.com/support)

For additional information, please contact your local Sales Representative at [www.onsemi.com/support/sales](http://www.onsemi.com/support/sales)