



### Main

Range of Product	Harmony GTUX
Product or Component Type	EXtreme touchscreen panel
Terminal type	Touchscreen display
[Us] rated supply voltage	12 V DC power supply
Supply voltage limits	10.8...28.8 V
Power consumption in W	12.5 W
Inrush current	30 A

### Complementary

Touchscreen resolution	1024 x 1024
Pixel resolution	1280 x 800
Display size	12.1 inch
Aspect ratio	4:3
Display type	Colour TFT LCD
Display Resolution	1280 x 800 pixels WVGA
Display colour	262144 colors
Luminance	92.90 fc (1000 cd/m <sup>2</sup> )
Touch panel	Single touch analogue resistive
Type of cooling	Natural convection
Cut-out dimensions	295 (+ 1/- 0) x 217 (+ 1/- 0) mm
Width	12.15 in (308.5 mm)
Height	9.07 in (230.5 mm)
Depth	2.68 in (68 mm)
Net Weight	7.05 lb(US) (3.2 kg)

### Environment

IP degree of protection	IP66f IP67f Front panel Type 4X
Standards	UL 61010 UL 121201 CSA C22.2 No 213 CSA C22.2 No 61010-1 IEC 61132-2
Product Certifications	KC CE RCM EAC ATEX zone 2/22 IEC-Ex UL CSA
Ambient air temperature for operation	-22...158 °F (-30...70 °C) EN 61131-2
Ambient air temperature for storage	-22...158 °F (-30...70 °C)
Pollution degree	2
Environmental characteristic	Corrosive gas free UV resistant
Relative Humidity	10...90 % non-condensing

Operating altitude	6561.68 ft (2000 m)
Vibration resistance	7 mm constant amplitude 5...9 Hz) EN/IEC 61131-2 19.6 m/s <sup>2</sup> 9...150 Hz) EN/IEC 61131-2
Shock resistance	392 m/s <sup>2</sup> EN/IEC 61131-2
Electromagnetic compatibility	Electrostatic discharge immunity testlevel 3 EN/IEC 61000-4-2

## Ordering and shipping details

Category	22567-MAGELIS HMI GTU
Discount Schedule	MC2
GTIN	3606489747954
Nbr. of units in pkg.	1
Package weight(Lbs)	10.15 lb(US) (4.605 kg)
Returnability	Yes
Country of origin	US

## Packing Units

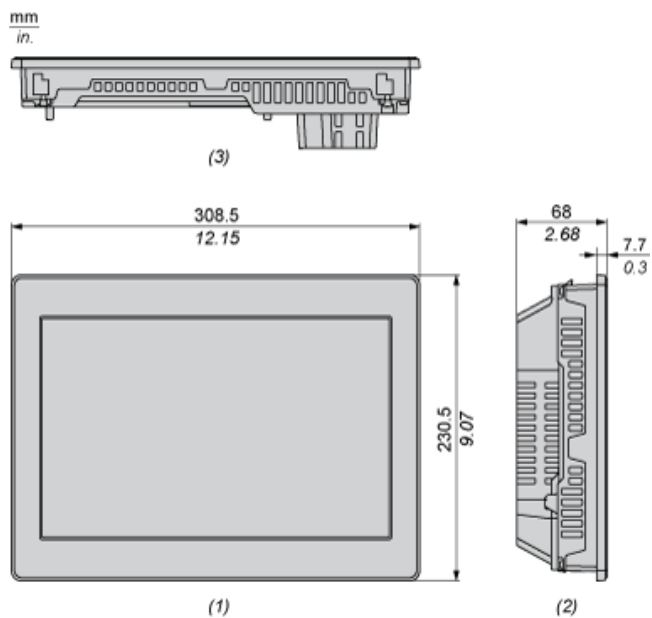
Unit Type of Package 1	PCE
Package 1 Height	7.32 in (18.6 cm)
Package 1 width	12.99 in (33 cm)
Package 1 Length	16.93 in (43 cm)
Unit Type of Package 2	P12
Number of Units in Package 2	10
Package 2 Weight	105.47 lb(US) (47.84 kg)
Package 2 Height	21.26 in (54 cm)
Package 2 width	31.50 in (80 cm)
Package 2 Length	47.24 in (120 cm)
Unit Type of Package 3	BB1
Number of Units in Package 3	2
Package 3 Weight	21.91 lb(US) (9.94 kg)
Package 3 Height	13.78 in (35 cm)
Package 3 width	16.54 in (42 cm)
Package 3 Length	17.72 in (45 cm)

## Offer Sustainability

California proposition 65	WARNING: This product can expose you to chemicals including: Lead and lead compounds, which is known to the State of California to cause cancer and birth defects or other reproductive harm. For more information go to <a href="http://www.P65Warnings.ca.gov">www.P65Warnings.ca.gov</a>
REACH Regulation	<a href="#">REACH Declaration</a>
REACH free of SVHC	Yes
EU RoHS Directive	Pro-active compliance (Product out of EU RoHS legal scope) <a href="#">EU RoHS Declaration</a>
Mercury free	Yes
RoHS exemption information	<a href="#">Yes</a>
China RoHS Regulation	<a href="#">China RoHS Declaration</a>

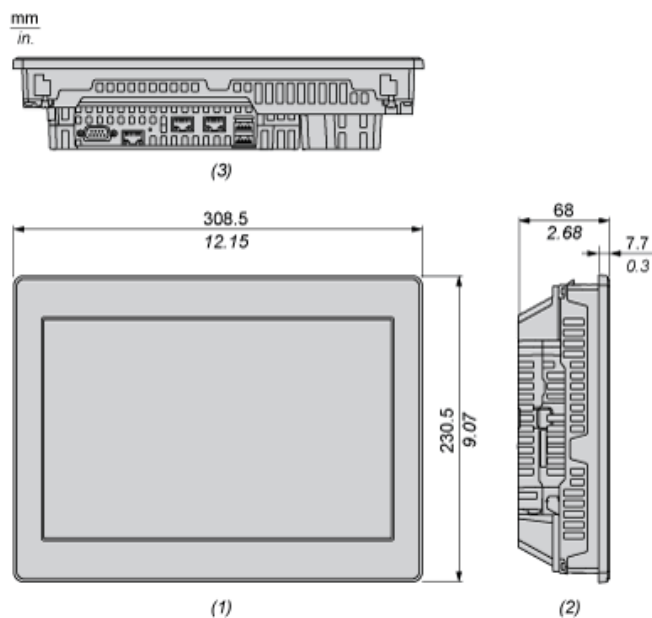
## External Dimensions

### Display Unit



- 1 : Front
- 2 : Left
- 3 : Bottom

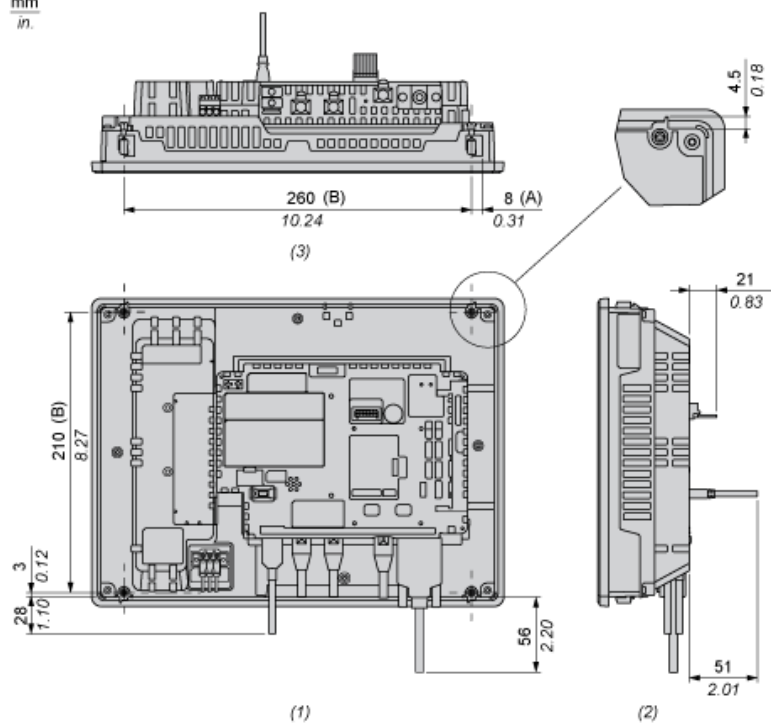
### Display Unit with Box Module



- 1 : Front
- 2 : Left
- 3 : Bottom

## Dimensions with Cables

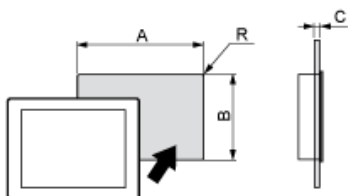
mm  
in.



- (A) : Rotation area of the fastener  
 (B) : Pitch of the enter of installation fastener screws  
 1 : Rear  
 2 : Right  
 3 : Bottom

Mounting and Clearance

Panel Cut Dimensions



Dimensions in mm

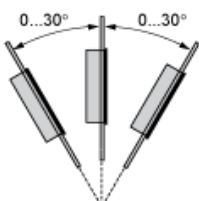
A	B	C	R
295 (+1/-0)	217 (+1/-0)	1.6...5	3 max.

Dimensions in in.

A	B	C	R
11.61 (+0.04/-0)	8.54 (+0.04/-0)	0.06...0.2	0.12 max.

Installation Requirements

Mounting Angle



When installing this product in a slanted position, the product face should not incline more that 30°.

Clearance

