

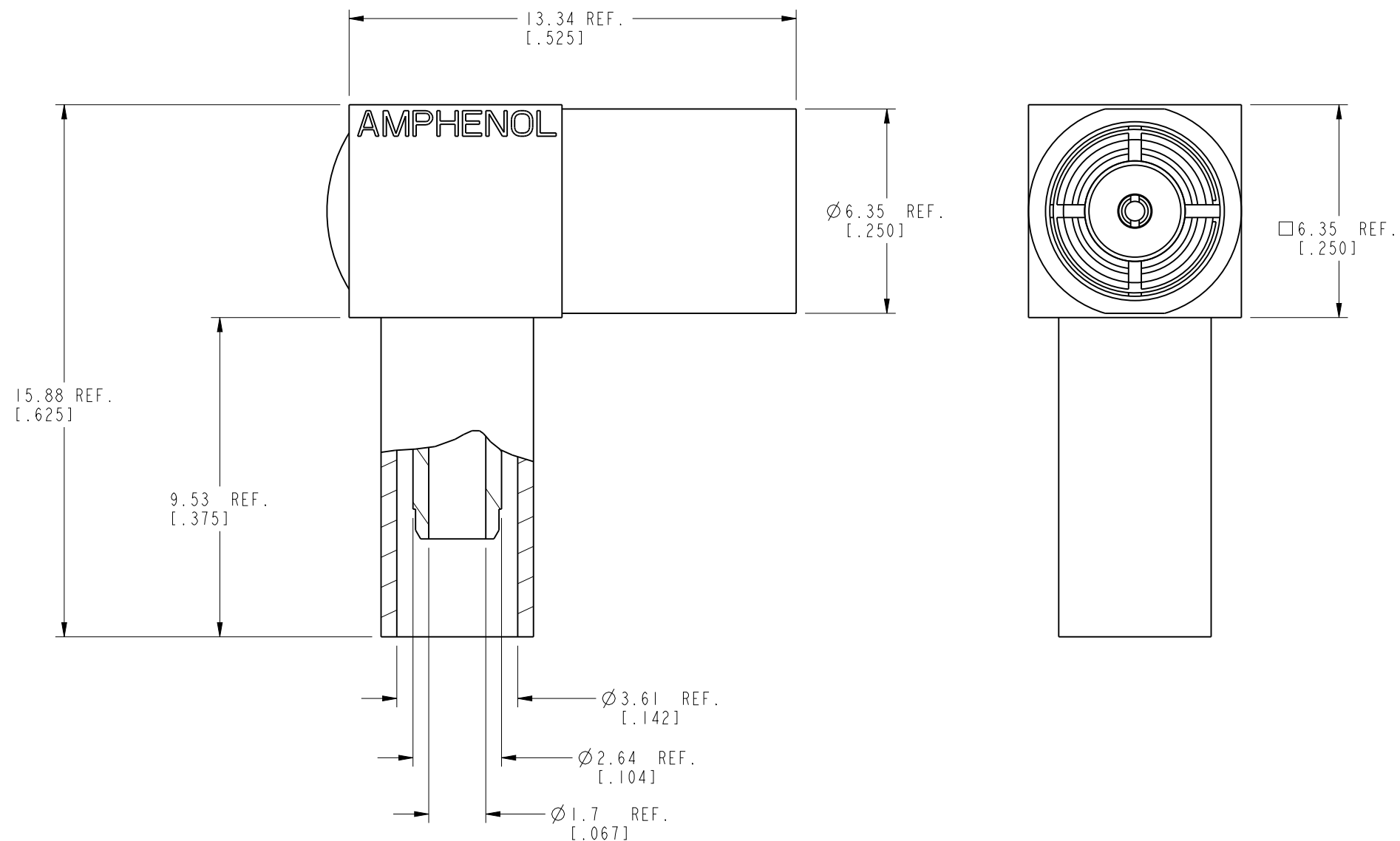
NOTES:

1. MATERIALS AND FINISHES:
 CUBE BODY - ZINC DIE CAST, NICKEL PLATING
 BODY & CAP - BRASS, NICKEL PLATING
 FEMALE CONTACT - BeCu, GOLD PLATING
 SPRING RING - BeCu, NICKEL PLATED
 FERRULE - COPPER, NICKEL PLATING
 INSULATOR - PTFE
2. ELECTRICAL:
 A. IMPEDANCE: 75 OHM
 B. FREQUENCY RANGE: DC - 2 GHz
 C. DIELECTRIC WITHSTANDING VOLTAGE: 750 VRMS, MIN.
3. MECHANICAL:
 A. DURABILITY: 500 CYCLES MIN.
 B. TEMPERATURE RANGE: -65° C TO 165° C
4. ASSEMBLY:
 SEE AMPHENOL SPEC 349-50521, SHEET 3
5. PACKAGING:
 A. QUANTITY: SINGLE PACK
 B. MARKING: PACKAGING TO BE MARKED
 "AMPHENOL RF, 903-599P-71A, AND DATE CODE"

THIRD ANGLE PROJ.

REVISIONS

REV	DESCRIPTION	DATE	ECN	APPR
A	RELEASE TO MFG.	3/1/01	43690	CPM
B	RE-DRAW IN PRO-E	31-Oct-17	05671	KCE



CUSTOMER OUTLINE DRAWING
 ALL OTHER SHEETS ARE FOR INTERNAL USE ONLY

UNLESS OTHERWISE SPECIFIED, DIMENSIONS ARE IN METRIC AND TOLERANCES ARE: <0.5mm ±0.05mm 0.5 - 6mm ±0.1mm 6 - 30mm ±0.2mm 30 - 120mm ±0.3mm ANGLES ±1°	MATERIAL	DRAWN	DATE	TITLE	Amphenol RF www.amphenolrf.com
	REFERENCE	C. McGRATH	13-Feb-01		
NOTICE - These drawings, specifications, or other data (1) are, and remain the property of Amphenol corp. (2) must be returned upon request; and (3) are confidential and not to be disclosed to any person other than those to whom they are given by Amphenol Corp. the furnishing of these drawings, specifications, or other data by Amphenol Corp., or to any other person to anyone for any purpose is not to be regarded by implication or otherwise in any manner licensing, granting rights to permitting such holder or any other person to manufacture, use or sell any product, process or design, patented or otherwise, that may in any way be related to or disclosed by said drawings, specifications, or other data.	EAR# 161	ENGINEER	DATE	SCALE: 4.0:1.0 SHEET 2 OF 2	DRAWING NO. 903-599P-71A
	REF: GEN# ASSYM12-SMB	O. BARTHELMES	13-Feb-01		O. BARTHELMES
CONFIGURATION LEVEL: In Work	FINISH	CAD FILE	DATE	DWG SIZE	PART NO. 903-599P-71A
			2/14/01	B	
				REV	
				B	