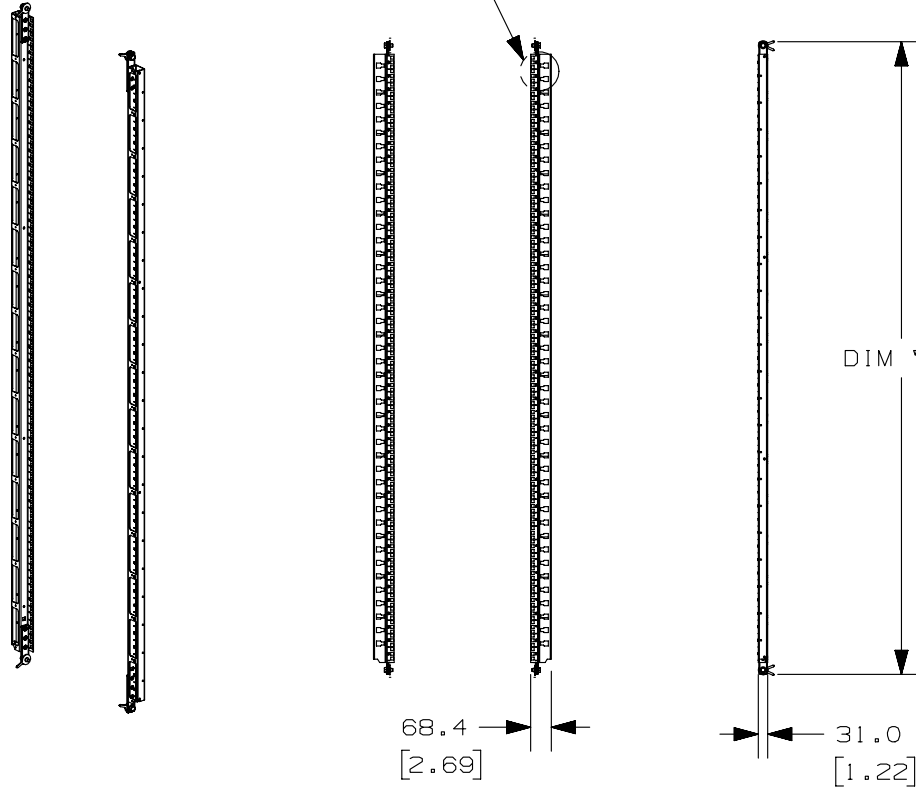


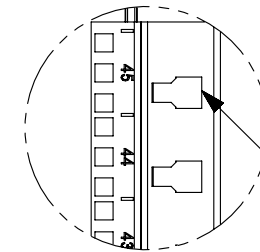
THIS COPY IS PROVIDED ON A RESTRICTED BASIS AND IS NOT TO BE USED IN ANY WAY DETRIMENTAL TO THE INTERESTS OF PANDUIT CORP.

SEE DETAIL A



| PART NO. | DESCRIPTION | DIM "A" | "HH" | WEIGHT |
|----------|---|---------------------|------|------------------------------------|
| SN2RC | N-TYPE AND S-TYPE CABINET 42RU CAGE NUT EQUIPMENT RAIL | 1879.3 [73.99] | 42 | 15.86 Kg/EACH [35.0 LBS/EACH] |
| SN5RC | N-TYPE AND S-TYPE CABINET 45RU CAGE NUT EQUIPMENT RAIL | 2012.6 [79.24] | 45 | 16.78 Kg/EACH [37.0 LBS/EACH] |
| SN8RC | N-TYPE AND S-TYPE CABINET 48RU CAGE NUT EQUIPMENT RAIL | 2146.0 [84.49] | 48 | 17.69 Kg/EACH [39.0 LBS/EACH] |
| SN1RC | N-TYPE AND S-TYPE CABINET 51RU CAGE NUT EQUIPMENT RAIL | 2279.3 [89.74] | 51 | 18.60 Kg/EACH [41.0 LBS/EACH] |

- VISIT OUR ON-LINE CATALOG AT WWW.PANDUIT.COM FOR A LIST OF CURRENT PARTS APPLICABLE FOR USE WITH THIS PRODUCT.
- PARTS SUPPLIED:
 - 1- SET CAGE NUT EQUIPMENT RAILS
 - 1- HARDWARE KIT
 - 1- INSTRUCTION SHEET
- PRIMARY DIMENSIONS ARE IN MILLIMETERS.



COMPATIBLE WITH
SN15F AND SN25F
CABLE MANAGEMENT
FINGERS

DETAIL A
SCALE 1 : 4

| REV | DATE | BY | CHK | APR | DESCRIPTION | ECN |
|-----|---------|-----|------|------|------------------------|----------|
| 00A | 2-04-15 | PBS | RCHA | RCHA | RELEASED TO PRODUCTION | V09000DJ |

| | | |
|---|-----------------|------------------|
| TITLE SN*RC NET-ACCESS N-TYPE AND S-TYPE CABINET FAMILY CAGE NUT EQUIPMENT RAILS CUSTOMER DRAWING | | PANDUIT |
| ITEM REVISION NAME 13V398ZY/00.PRT | | |
| DATASET FILE NAME 13V398ZY_DC/00A.PRT | | |
| DRAWING NUMBER: 13V398ZY-DC | | MATERIAL: N/A |
| THIRD ANGLE PROJECTION | | |
| DRAWN BY PBS | DATE 2-04-15 | CHK RCHA |
| SCALE NONE | | SIZE A |