

Product: [GDM21FA-V44-10D](#)

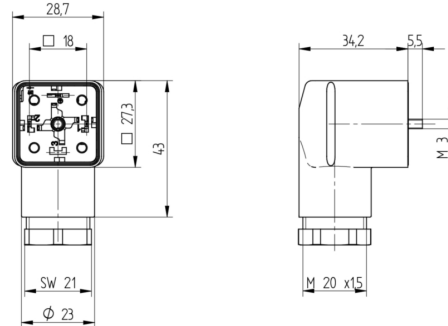
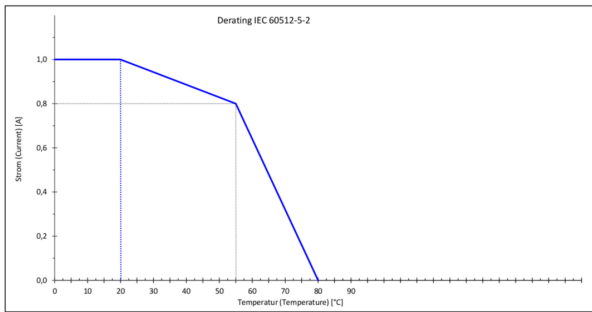


GDM Standard DIN Standard Field Attachable Connector: Form A, 3-pin (2+1PE; PE across cable outlet), transparent housing, screw type, M20; with bridge rectifier, varistor and yellow LED, 24 V AC/DC, 1 A

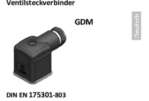
Product Description

GDM Standard DIN Standard Field Attachable Connector: Form A, 3-pin (2+1PE; PE across cable outlet), transparent housing, screw type, M20; with bridge rectifier, varistor and yellow LED, 24 V AC/DC, 1 A

Technical Drawing



Montageanleitung
Ventilsteckverbinder



DIN EN 175305-803
PEL, IP 67
Kabeldurchmesser: 6,0 bis 8,0 mm / Ø 0 bis 30,0 mm
Leitungsquerschnitt: AWG 20 – AWG 14

Achtung!
Steckverbinder nicht unter Last oder Spannung stecken / wesen!

Bei Fehler des Herstellers ist die Druckkraft auf die Steckverbindung mit der Hochdruckpumpe nicht zulässig. Bei Beschädigung des Steckverbinders durch mechanische Beanspruchung sind geeignete Vorkehrungen zu treffen. Bei Beschädigung des Steckverbinders durch mechanische Beanspruchung sind geeignete Vorkehrungen zu treffen. Bei Beschädigung des Steckverbinders durch mechanische Beanspruchung sind geeignete Vorkehrungen zu treffen.

Technische Zeichnung

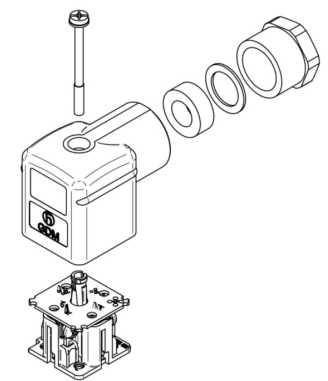
Die Zeichnung zeigt die Draufsicht auf die Steckverbindung mit der Hochdruckpumpe. Die Draufsicht zeigt die Positionen der drei Kontakte (PE, L, N) und die Abstände zwischen den Kontakten. Die Draufsicht zeigt die Positionen der drei Kontakte (PE, L, N) und die Abstände zwischen den Kontakten.

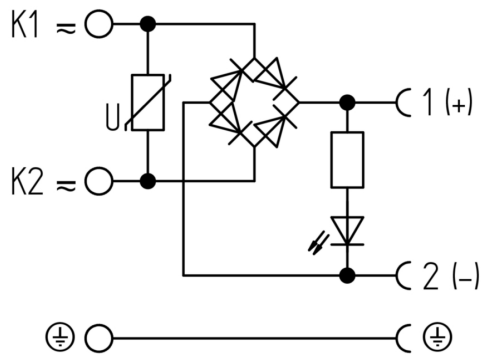
Leitungsbezeichnung

Leitungsbezeichnung	Abstand	Leitungsquerschnitt
GDM200	10,5 - 12,5 mm	150 Nm
GDM201	10,5 - 12,5 mm	150 Nm
GDM202	10,5 - 12,5 mm	150 Nm
GDM203	10,5 - 12,5 mm	150 Nm
GDM204	10,5 - 12,5 mm	150 Nm
GDM205	10,5 - 12,5 mm	150 Nm
GDM206	10,5 - 12,5 mm	150 Nm
GDM207	10,5 - 12,5 mm	150 Nm
GDM208	10,5 - 12,5 mm	150 Nm
GDM209	10,5 - 12,5 mm	150 Nm
GDM210	10,5 - 12,5 mm	150 Nm

Leitungsbezeichnung

Leitungsbezeichnung	Abstand	Leitungsquerschnitt
GDM211	10,5 - 12,5 mm	150 Nm
GDM212	10,5 - 12,5 mm	150 Nm
GDM213	10,5 - 12,5 mm	150 Nm
GDM214	10,5 - 12,5 mm	150 Nm
GDM215	10,5 - 12,5 mm	150 Nm
GDM216	10,5 - 12,5 mm	150 Nm
GDM217	10,5 - 12,5 mm	150 Nm
GDM218	10,5 - 12,5 mm	150 Nm
GDM219	10,5 - 12,5 mm	150 Nm
GDM220	10,5 - 12,5 mm	150 Nm





Technical Specifications

Technical Data

Product Family:	Valve Connectors
Product Sub Family:	GDM Standard
Brand:	Hirschmann
Connector Type:	Field attachable
Type of Contact / Gender:	Female
Connector Design:	Angled
Number of Pins:	2+PE (PE across cable outlet)
Coding:	A
Shielding:	Unshielded
Attachment Type:	Central Screw
Rated Impulse Voltage:	4.0 kV (PCBA 2.0 kV)
Operating Voltage:	24 V AC/DC
Rated Current*:	1 A
Contact Resistance:	≤ 10 mOhm
Insulation Resistance:	> 10 ⁹ Ohm
Mating Cycles:	≤ 50
Type of Connection:	Screw
Cable Gland:	M20
Conductor Cross Section:	0.25 - 1.5 mm ²
Suitable Cables:	Ø 4.5 - 11 mm
Ambient Temperature (Operation)*:	-25°C to +80°C
Protection Degree / IP Rating**:	IP65
Design Standard:	DIN EN 175301-803-A, ISO 4400
Pollution Degree:	3 acc. to DIN EN 60664-1 (VDE 0110-1)
Clearance / Creepage Distance:	DIN EN 60664-1 (2008/01); VDE 0110-1
Overvoltage Category:	III acc. to DIN EN 60664-1 (VDE 0110-1)

Materials

Contact Base Material:	CuZn
Contact Plating:	Cu/Sn
Contact Bearer Material:	PA GF
Contact Bearer Color:	black
Flammability Class (Contact Bearer):	UL 94 HB
Housing Material:	PA GF
Housing Color:	Translucent
Flammability Class (Housing):	UL 94 HB
Cable Gland Material:	PA GF
Cable Gland Gasket:	NBR
Cable Gland Color:	Black

Attachment Material:	Steel, Philips combi slot
Gasket Material:	Sold separately

Protection Circuitry

Function Indicator:	Yellow LED
Bridge Rectifier:	yes
Protective Circuit:	Varistor

Additional Technical Data

Fastening Torque (Contact Screw):	M3: (25-30) Ncm
Fastening Torque (Cable Gland):	(150-200) Ncm
Fastening Torque (Attachment):	(50-60) Ncm

Approvals

VDE:	yes
SEV:	yes

Safety & Environmental Compliance

RoHS Compliant:	yes
-----------------	-----

Notes

Note Derating:	Notice derating
Protection Degree / IP Rating Note:	** only if mounted and locked in combination with Hirschmann / Lumberg Automation connector.
Note:	Do not connect or disconnect under load.

Variants

Item #	Item Description
934888075	GDM21FA-V44-10D

© 2023 Belden, Inc

All Rights Reserved.

Although Belden makes every reasonable effort to ensure their accuracy at the time of this publication, information and specifications described here in are subject to error or omission and to change without notice, and the listing of such information and specifications does not ensure product availability.

Belden provides the information and specifications herein on an "ASIS" basis, with no representations or warranties, whether express, statutory or implied. In no event will Belden be liable for any damages (including consequential, indirect, incidental, special, punitive, or exemplary damages) whatsoever, even if Belden has been advised of the possibility of such damages, whether in an action under contract, negligence or any other theory, arising out of or in connection with the use, or inability to use, the information or specifications described herein.

All sales of Belden products are subject to Belden's standard terms and conditions of sale.

Belden believes this product to be in compliance with all applicable environmental programs as listed in the data sheet. The information provided is correct to the best of Belden's knowledge, information and belief at the date of its publication. This information is designed only as a general guide for the safe handling, storage, and any other operation of the product itself or the one that it becomes a part of. The Product Disclosure is not to be considered a warranty or quality specification. Regulatory information is for guidance purposes only. Product users are responsible for determining the applicability of legislation and regulations based on their individual usage of the product.