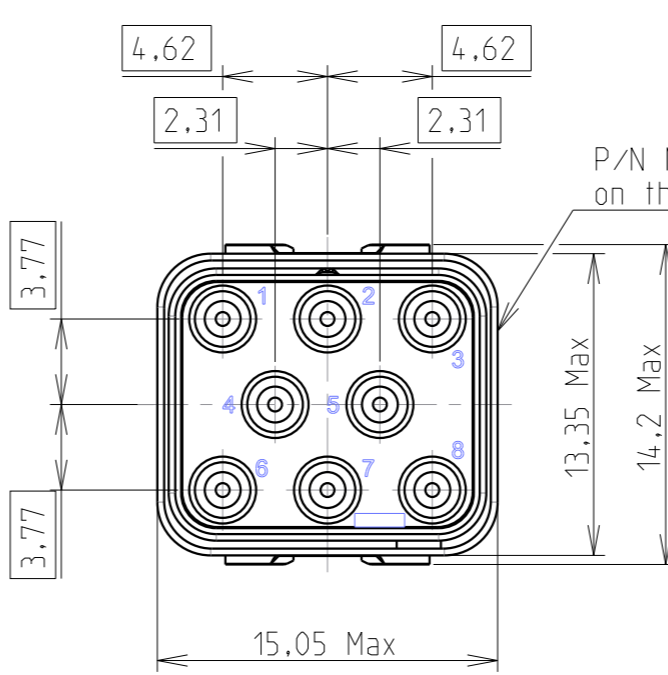
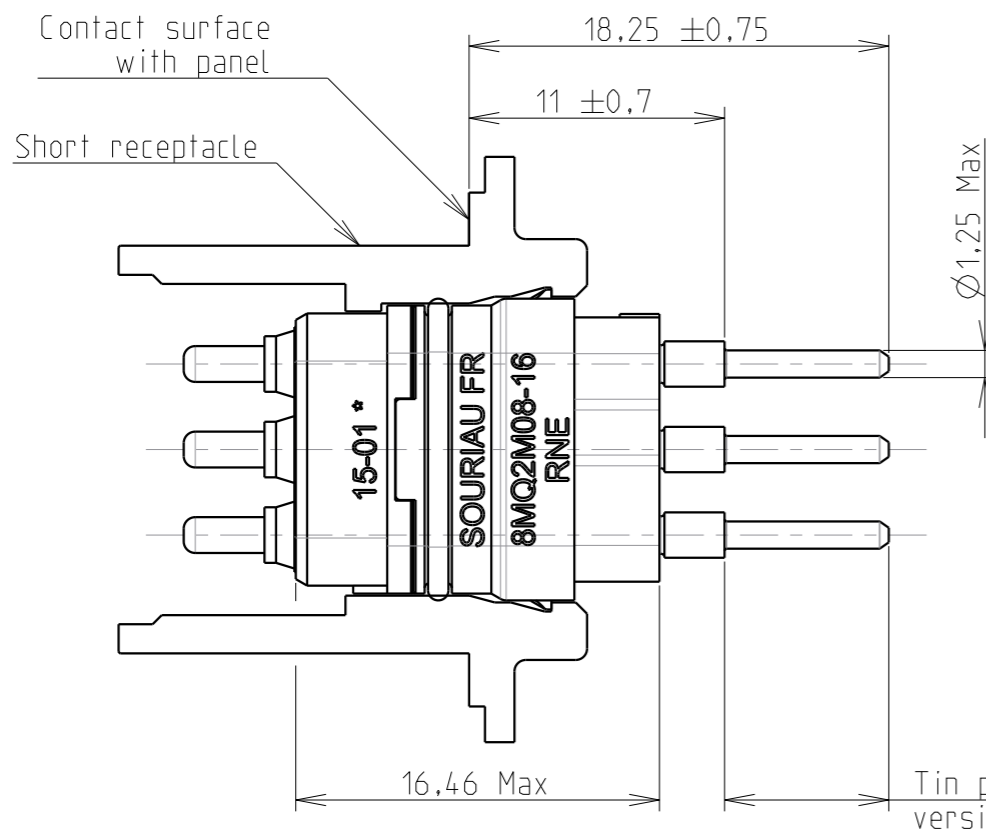
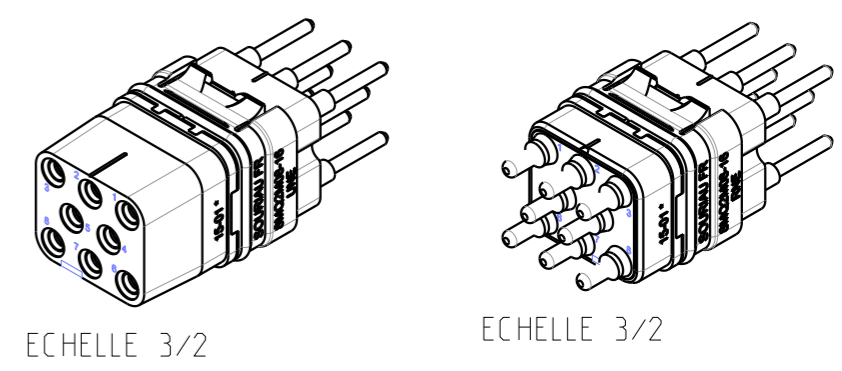


H G F E D C B A



|               |      |
|---------------|------|
| MASS ± 5% (g) |      |
| Male module   | 8.6  |
| Female module | 10.3 |



| Technical requirements |   |
|------------------------|---|
| 1-                     | According to EN4165                                       |
| 2-                     | Voltage proof test (Sea level) :<br>- #16 > 1500 V r.m.s. |
| 3-                     | Insulation resistance > 5000 MΩ                           |
| 4-                     | Climatic sequence : -55 °C / +175 °C                      |
| 5-                     | Fluid resistance : See standard<br>EN 4165-001 (table 40) |
| 6-                     | Contact retention in insert :<br>- #16 = 110 N            |
| 7-                     | Materials : Thermoplastic and silicone                    |
| 8-                     | Delivered with protection cap                             |

|         |                             |
|---------|-----------------------------|
| Country | Jurisdiction & Control List |
| FR      | NOT LISTED                  |

P/N : SEE TABLE

|              |  |                                    |   |
|--------------|--|------------------------------------|---|
| ISS          | 04/10/18   | Update of contact position         | 23536BH   |
| DATE         | ---  | Latest modification - by: H.SIMIER | MOD N°  |
| Designed by: | N.AUFFRET  | Date:30/03/17                      | CUSTOMER DRAWING  |
| TITLE        | MODULES WITH STRAIGHT PCB CONTACTS - LAYOUT 08-16<br>GAMME 8MQ |                                    |   |
| Scale        | 3/1  | General linear Tolerances: ± --    | NPRDS / PROJECT BE164803A   |
|              |  | WWW.SOURIAU.COM                    | This document is the property of SOURIAU. It must not be reproduced or communicated without permission. |
| FORMAT       | A3   | SOURIAU DRG N° C011-8MQ-A          | SHEET 1 / 1   |

|   |     |   |   |   |   |  |   |   |   |
|---|-----|---|---|---|---|--|---|---|---|
| BASIC SERIE                                   | 8MQ | 2   | M | 08-16   | R | N  | E | S | - |
| 2 = Serie 2                                   |     | M = Module                                      |   | Layout  |   | Dash = No grounding                                |   |   |   |
| R = Male module delivered with contacts       |     | U = Female module delivered with contacts       |   | N, A, B, C, D = polarization                      |   |  |   |   |   |
| None = Without peripheral sealing             |     | E = With peripheral sealing                     |   | S = Delivered with protection cap                 |   |  |   |   |   |
| None = Pin contact : Gold plated, 0.8 μm mini |     | 046 = Pin contact : Tin plated over gold - SnPb |   | 046E = Pin contact : Tin plated over gold - Sn100 |   | 046S = Pin contact : Tin plated over gold - SAC305 |   |   |   |

SOURIAU shall not be liable for any non-conformity or damage due to a use of the Products which does not comply with the Specifications issued by either of the Parties or by a third party (professional recommendation, technical notice.)

C.2: Validé

4  
3  
2  
1

4  
3  
2  
1

