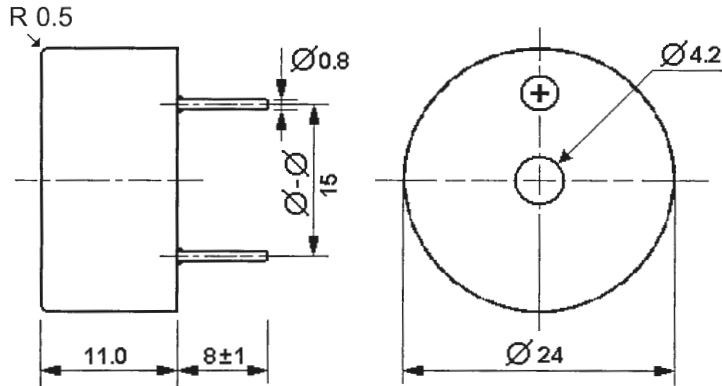


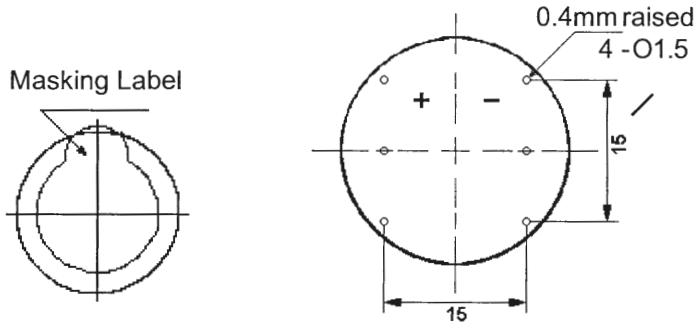
INTERVOX PIEZO BUZZER

BRP2411P-12-CFS

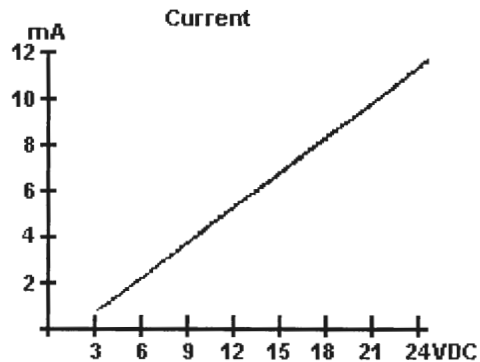
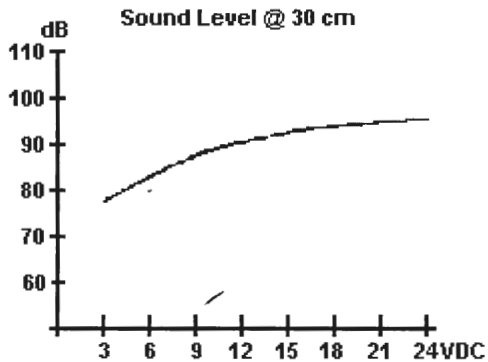
RoHS Compliant



Standard Spacing 15.0 - Available 17.5



DIMENSIONS IN MM. - TOLERANCE ± 0.2 MM



SPECIFICATIONS:

Model No.	BRP2411P-12-CFS
Operating Voltage (VDC)	3 ~ 15
Frequency (Hz)	3800 \pm 500
Current @ 12 Vdc (mA MAX)	10
Sound Output @ 30 cm (dB)	85
Operating Temperature (C)	-30 ~ +110

Wave solderable and washable.

INTERVOX
International ©

International Components Corporation

215 McCormick Drive, Bohemia, NY 11716 631-952-9595 FAX 631-952-9597 www.icc107.com

Title:

Piezo Buzzer with Internal Circuitry

Intervox Model #

BRP2411P-12-CFS

Rev

A

Scale: mm

Date: 10/2/2002

Sheet 1 of 1