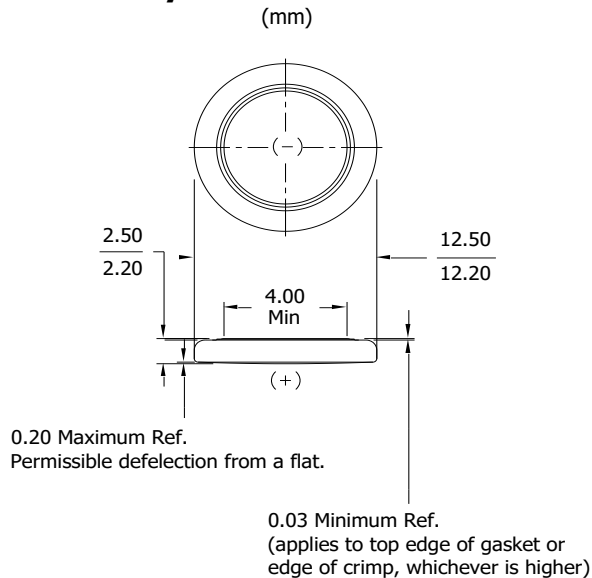


ENERGIZER NO. BR1225

LITHIUM COIN



Industry Standard Dimensions



Specifications

Classification:	"Lithium Coin"
Chemical System:	Lithium / Poly-Carbon Monofluoride (Li/CFx)
Designation:	IEC-BR1225
Nominal Voltage:	3.0 Volts
Typical Capacity:	48 mAh (to 2.0 volts) (Rated at 30K ohms at 21°C)
Typical Weight:	0.8 grams
Typical Volume:	0.3 cubic centimeters
Max Rev Charge:	1 microampere
Energy Density:	174 milliwatt hr/g, 432 milliwatt hr/cc
Operating Temp:	-30C to 80C
Self Discharge:	~1% / year

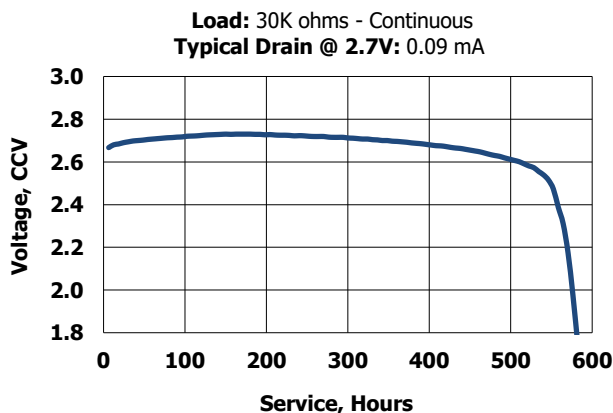
Safety:



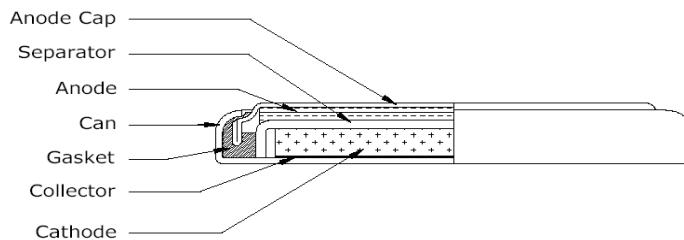
(1) KEEP OUT OF REACH OF CHILDREN. Swallowing may lead to serious injury or death in as little as 2 hours due to chemical burns and potential perforation of the esophagus. **Immediately see doctor; have doctor phone (800) 498-8666.**

(2) Battery compartment design. To prevent children from removing batteries, battery compartments should be designed with one of the following methods: a) a tool such as screwdriver or coin is required to open battery compartment or b) the battery compartment door/cover requires the application of a minimum of two independent and simultaneous movements of the securing mechanism to open by hand. Screws should remain captive with the battery door or cover.

Typical Discharge Characteristics



Cross Section



Simulated Application test

Typical Performance at 21°C (70°F)

Schedule:	Typical Drains: at 2.7V (mA)	Load (ohms)	Cutoff 2.0V (hours)
Continuous	0.09	30,000	575

Important Notice

This datasheet contains typical information specific to products manufactured at the time of its publication. **Contents herein do not constitute a warranty and are for reference only.**