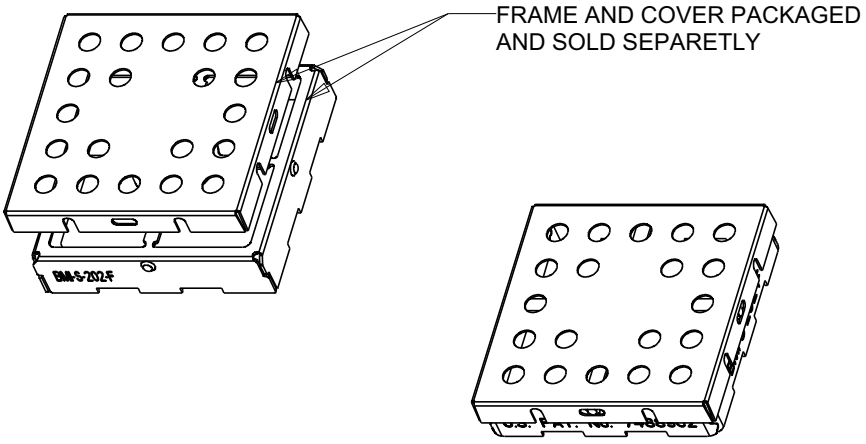
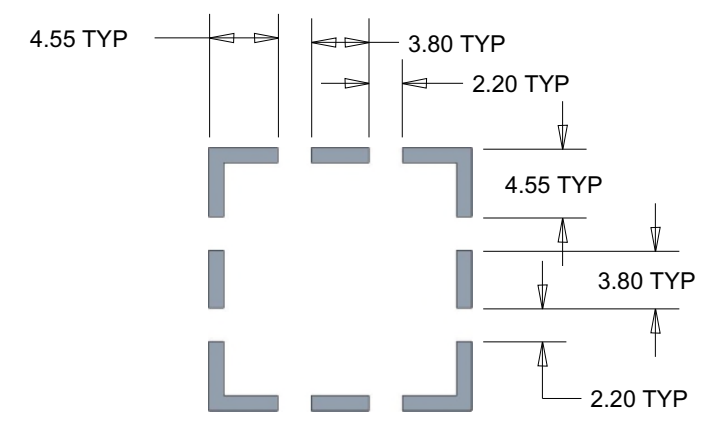
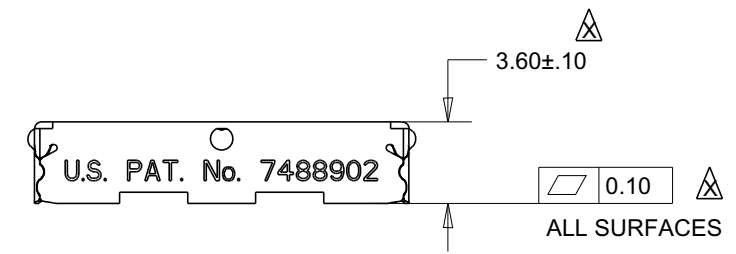
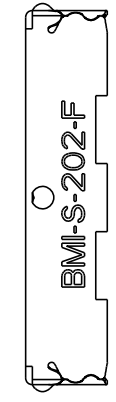
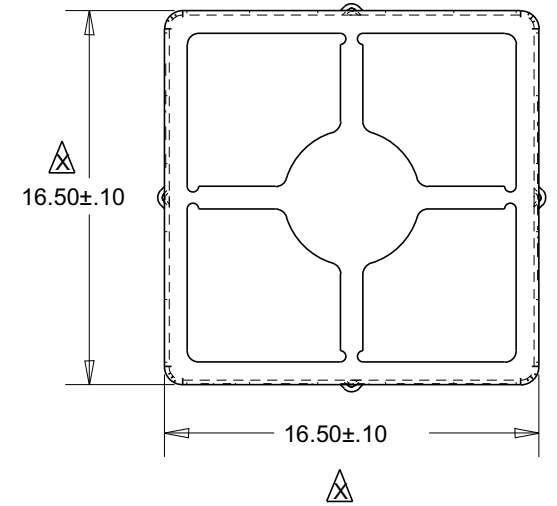
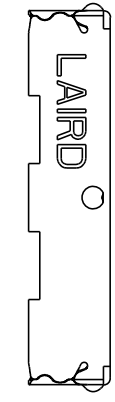
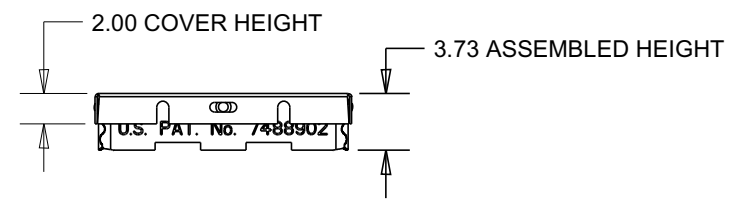
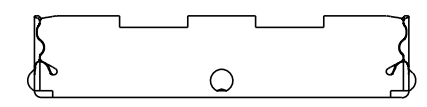


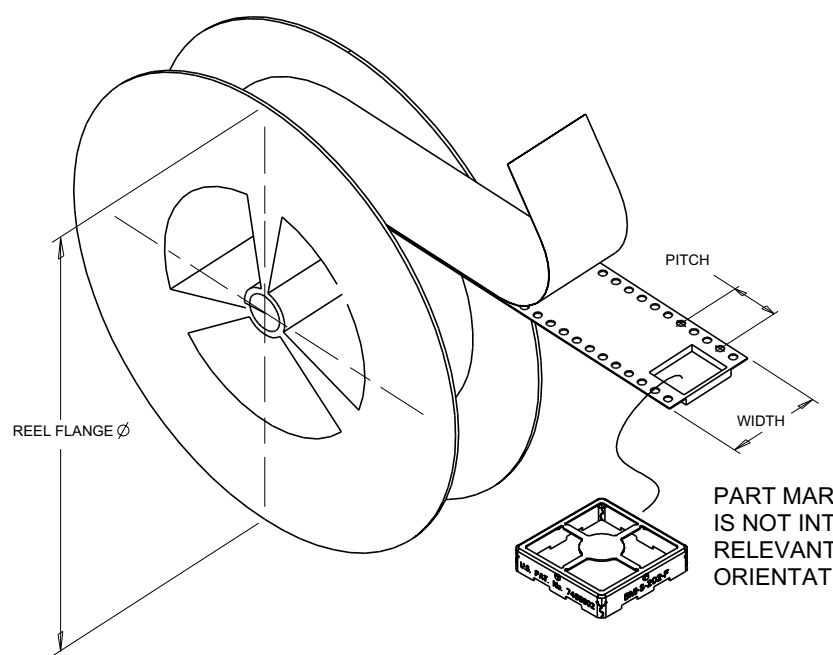
| FUNCTION | PART NUMBER | MATERIAL / FINISH | PACKAGING | | | |
|----------|-------------|--|---------------|------------|-------|----------|
| | | | TAPE AND REEL | | | |
| FENCE | BMI-S-202-F | .20MM 1008/1010 PRE-PLATED COLD ROLLED STEEL 1/2 HARD 1.25-5.00 MICRONS 100% MATTE TIN | REEL DIAMETER | TAPE WIDTH | PITCH | QUANTITY |
| | | | 380MM | 32MM | 24MM | 700 |
| COVER | BMI-S-202-C | .13MM 1008/1010 PRE-PLATED COLD ROLLED STEEL 1/2 HARD 1.25-5.00 MICRONS 100% MATTE TIN | BULK PACK | | | |



- NOTES:
- OTHER MATERIAL OPTIONS MAY BE AVAILABLE, CONSULT SALES.
 - OTHER PACKAGING OPTIONS MAY BE AVAILABLE, CONSULT SALES.



FOOTPRINT
SCALE 2.000



PART MARKING ON SIDES IS NOT INTENDED TO BE RELEVANT TO PART ORIENTATION IN CARRIER TAPE.

CRITICAL DIMENSIONS ARE DESIGNATED BY

| | | | | | |
|--------------------------|--------------|--|-----------|--|-------------------|
| | | PART DESCRIPTION: BOARD LEVEL SHIELD | | PART NUMBER: BMI-S-202-SALES | |
| | | CUSTOMER: LAIRD CATALOG | | | |
| 3RD ANGLE PROJECTION | | PROGRAM NAME: STANDARDS | | MODELED BY: TIM WRONA | DATE: 05/10/12 |
| DESIGNED IN PRO/ENGINEER | | CUSTOMER PART NUMBER: N/A | REV: - | APPROVED BY: X | DATE: XX/XX/XX |
| SCALE: 4.000 | SHEET 1 OF 1 | INFORMATION CONTAINED IN THIS DOCUMENT IS CONFIDENTIAL AND PROPRIETARY TO LAIRD TECHNOLOGIES. IT MAY NOT BE DISCLOSED TO ANYONE WITHOUT WRITTEN AUTHORIZATION FROM LAIRD TECHNOLOGIES. | | SALES | |