

6

5

4

3

2

1

APPROVED: _____

DATE: _____ TITLE: _____

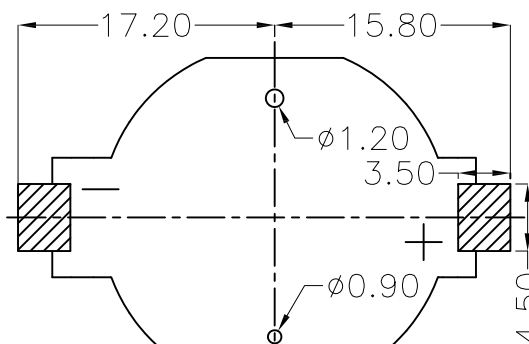
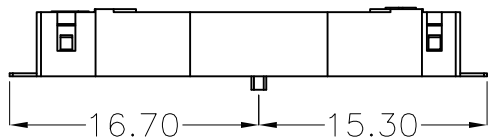
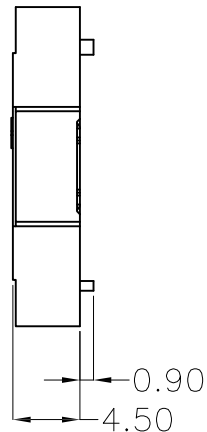
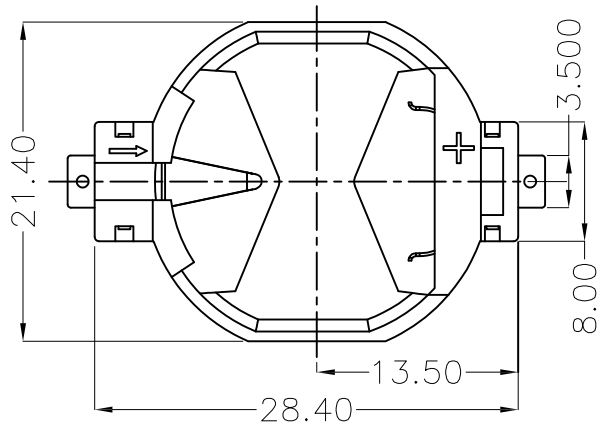
Rev	AWO #	Description	Date	Appr
-		RELEASED	3/17/20	

D

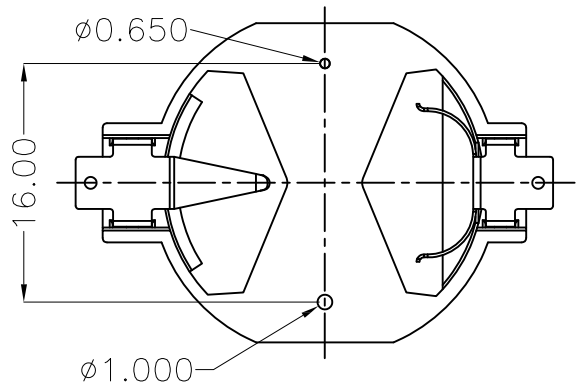
C

B

A



RECOMMENDED PCB LAYOUT



SPECIFICATIONS:

Material:
Housing: Hi-Temp Thermoplastic, rated UL94V-0, Color: White
Contact: Phosphor Bronze, Gold plated
Electrical:
Contact resistance: 30 Milliohms max
Insulation resistance: 1,000 Megaohms ohms min
Dielectric Voltage: 500 VAC @ sea level
Temperature Rating:
Operating temperature: -25°C to +85°C
Environmental:
Lead free, RoHS compliant



UNLESS OTHERWISE SPECIFIED
ALL DIMENSIONS ARE MILLIMETERS
TOLERANCES: EXCEPT AS NOTED
MM ANGLE
X ± 0.30 X ± 1°
X.X ± 0.25 X.X ± 0.5°
X.XX ± 0.20
X.XXX ± 0.10

ADAM TECH
INTERCONNECTS
909 Rahway Avenue,
Union, NJ 07083
Phone: 908-687-5000
Fax: 908-687-5710

APPROVALS		DATE
DRAWN	LH	3/17/20
CHECKED	MY	3/17/20
APPROVED		

TITLE BATTERY HOLDER, PCB THRU HOLE FOR 2032, SMT TYPE		
SIZE X	PART NO. BH-92A-5	REV. -
REF: S00136C	SCALE: NTS	SHEET 1 OF 1

6

5

4

3

2

1