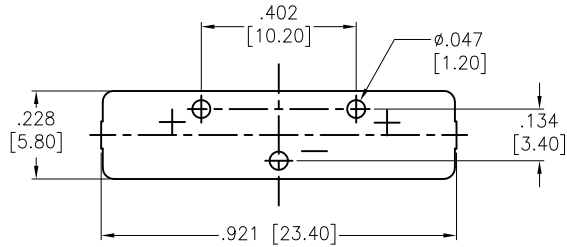
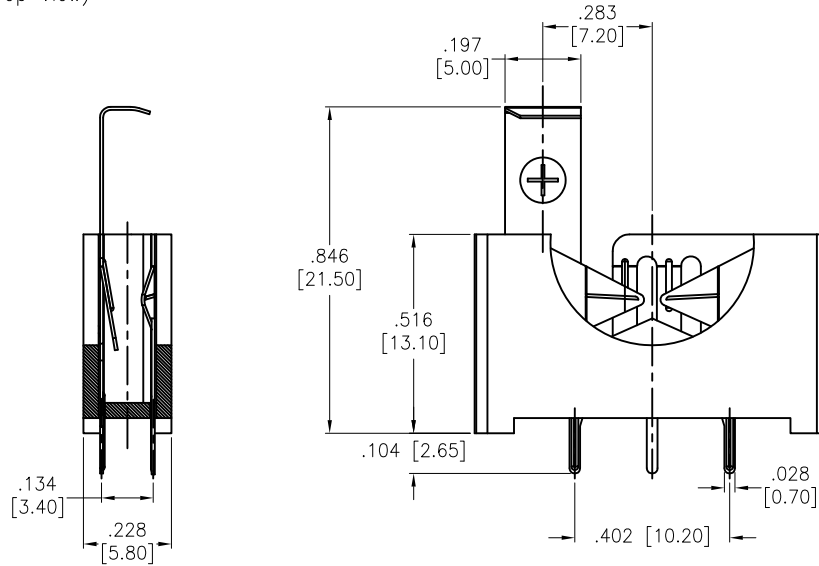
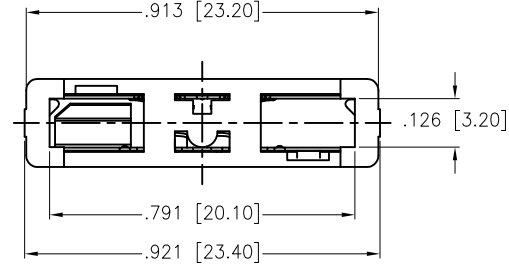


APPROVED: _____
 DATE: _____ TITLE: _____

Rev	AWO #	Description	Date	Appr
-		RELEASED	8/11/16	
A		UPDATE DRAWING	4/22/19	OW/IL



RECOMMENDED PCB LAYOUT
(Top View)



SPECIFICATIONS:

Material:
 Housing: PBT, rated UL94V-0, Color: Black
 Contact: Phosphor Bronze, Tin plated
 Electrical:
 Contact resistance: 30 mohms max
 Insulation resistance: 1,000 Mohms min
 Dielectric Voltage: 500 VAC one sec level
 Temperature Rating:
 Operating temperature: -25°C to +85°C.
 Environmental:
 Lead free, RoHS compliant



UNLESS OTHERWISE SPECIFIED ALL DIMENSIONS ARE INCHES [MM] TOLERANCES: EXCEPT AS NOTED		
INCHES HOLES		
.X ± .10	Ø.X ± .10	
.XX ± .020	Ø.XX ± .015	
.XXX ± .015	Ø.XXX ± .010	
APPROVALS		DATE
DRAWN	HR	8/11/16
CHECKED	LW	8/11/16
APPROVED		

ADAM TECH
INTERCONNECTS
 909 Rahway Avenue,
 Union, NJ 07083
 Phone: 908-687-5000
 Fax: 908-687-5710

TITLE BATTERY HOLDER, PCB THRU HOLE VERTICAL, FOR CR2032, BLACK		
SIZE X	PART NO. BH-91-1	REV. A
REF: S00136C	SCALE: NTS	SHEET 1 OF 1