

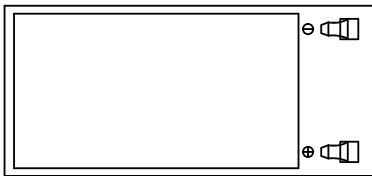
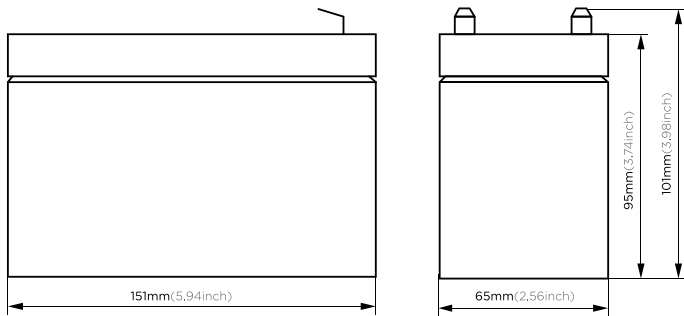
BGH-1290F2

(12V 9Ah)

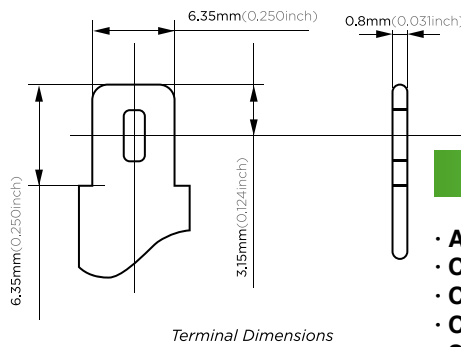
Rechargeable Sealed Lead Acid Battery (High Rate Series)



Technical Specification Sheet



General Series Valve Regulated Lead Acid batteries are designed with AGM (Absorbent Glass Mat) technology, high performance plates and electrolyte to gain extra power output for many commonly used applications. Special one-way valves allow excessive gases to escape but otherwise the battery is completely sealed and therefore maintenance-free, leak proof and usable in any position



Application

- Alarm System
- Cable Television
- Communication Equipment
- Control Equipment
- Security System
- Medical Equipment
- UPS
- Emergency Power System
- Toys

Performance Characteristics

| | | | | |
|--|---|-------------------|----------------------|-----------------|
| Designed Floating Life | 5 Years | | | |
| Capacity (25°C) | 20HR(0.5A,1.75V) | 10HR(0.95A,1.75V) | 5HR(1.7A,1.75V) | 1HR(6.3A,1.75V) |
| | 9.2AH | 9AH | 8AH | 6AH |
| Dimensions | Length | Width | Height | Total Height |
| | 151mm(5.94inch) | 65mm(2.56inch) | 95mm(3.74inch) | 101mm(3.78inch) |
| Approx. Weight | 2.55kg(5.62lbs) | | | |
| Internal Resistance | Full charged at 25°C: 0.017 Ohm | | | |
| Self Discharge | 3% of capacity declined per month at (25°C) | | | |
| Capacity Affected by Temp. (20HR) | 40°C | 25°C | 0°C | -15°C |
| | 102% | 100% | 85% | 65% |
| Charge Voltage (25°C) | Cycle use | | Float use | |
| | 14.4-15V(-30mV/°C), max. Current: 2.7A | | 13.6-13.8V(-20mV/°C) | |

General Features

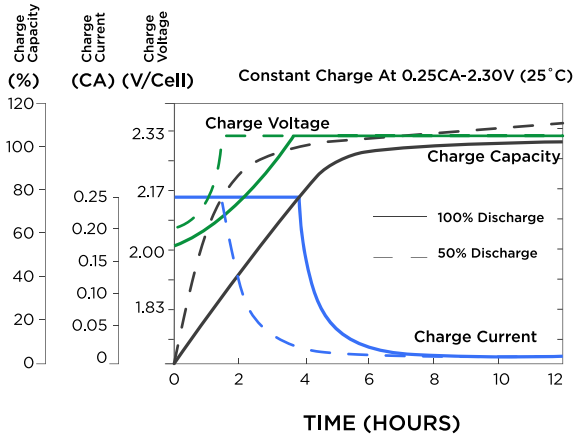
- Superb high-rate discharge characteristics that ensure reliable performance in UPS applications.
- Sealed non-spillable maintenance free operation.
- Flexible installation in any position.
- ABS containers and covers (UL94HB, UL94V0) optional.
- VRLA Absorbent Glass Mat (AGM) Technology guarantees safe operation without maintenance.
- Approved for transport by air. D.O.T., I.A.T.A. and F.A.A. certified.
- High quality and high reliability.
- Exceptional deep discharge recovery performance.
- Low self-discharge characteristics

Battery Construction

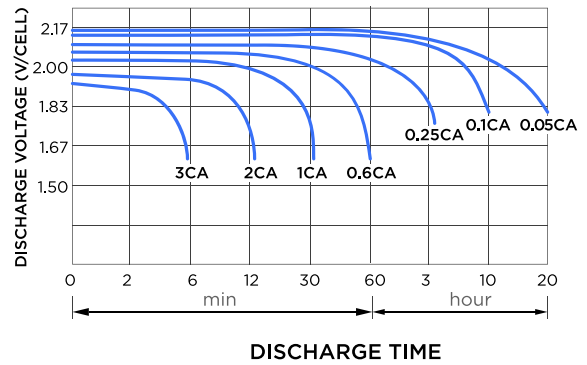
| Component | Positive plate | Negative plate | Container | Cover | Safety valve | Terminal | Separator | Electrolyte |
|--------------|----------------|----------------|-----------|-------|--------------|----------|------------|---------------|
| Raw material | Lead dioxide | Lead | ABS | ABS | Rubber | Copper | Fiberglass | Sulfuric acid |



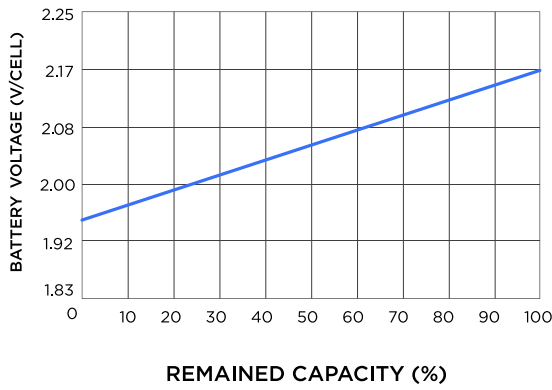
Charge characteristic



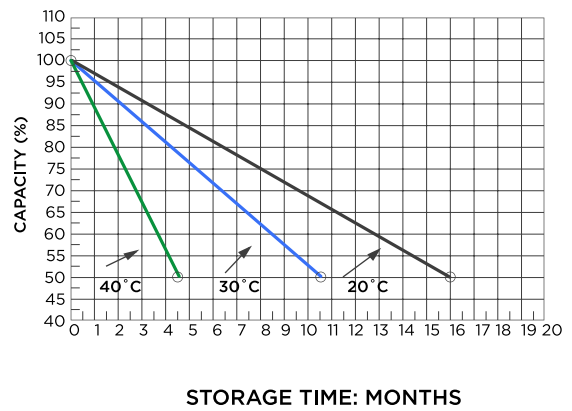
Discharge characteristic (25°C)



Relationship of OCV and state of charge



Self-discharge characteristic



Constant current discharge ratings (Amperes at 77°F 25°C)

| F. V / T i m e | 5 min | 10 min | 15 min | 30 min | 1HR | 3HR | 5HR | 10HR | 20HR |
|----------------|-------|--------|--------|--------|------|------|------|------|------|
| 1.60V | 49.6 | 30.9 | 23.3 | 14.2 | 7.11 | 3.12 | 1.91 | 1.04 | 0.56 |
| 1.67V | 46.6 | 29.3 | 22.4 | 13.6 | 7.01 | 3.00 | 1.87 | 1.03 | 0.54 |
| 1.70V | 42.7 | 28.2 | 21.9 | 12.4 | 6.80 | 2.80 | 1.83 | 1.02 | 0.53 |
| 1.75V | 41.8 | 27.4 | 21.2 | 11.7 | 6.48 | 2.71 | 1.79 | 1.02 | 0.52 |
| 1.80V | 37.4 | 26.1 | 19.2 | 10.9 | 6.07 | 2.60 | 1.68 | 1.00 | 0.51 |
| 1.85V | 33.0 | 24.9 | 17.3 | 10.0 | 5.65 | 2.51 | 1.57 | 0.99 | 0.49 |

Constant power discharge ratings (Watts at 77°F 25°C)

| F. V / T i m e | 5 min | 10 min | 15 min | 30 min | 1HR | 3HR | 5HR | 10HR | 20HR |
|----------------|-------|--------|--------|--------|------|------|------|------|------|
| 1.60V | 87.1 | 55.8 | 42.5 | 25.6 | 12.8 | 5.53 | 3.22 | 2.13 | 1.12 |
| 1.67V | 84.0 | 54.4 | 42.0 | 25.1 | 12.7 | 5.36 | 3.21 | 2.12 | 1.08 |
| 1.70V | 79.1 | 53.8 | 41.6 | 23.5 | 12.5 | 5.12 | 3.17 | 2.11 | 1.07 |
| 1.75V | 79.6 | 53.6 | 41.3 | 22.8 | 12.3 | 5.00 | 3.14 | 2.08 | 1.04 |
| 1.80V | 72.8 | 52.9 | 38.3 | 21.7 | 11.6 | 4.85 | 3.04 | 2.05 | 1.01 |
| 1.85V | 66.1 | 50.1 | 34.7 | 20.3 | 10.9 | 4.71 | 2.94 | 2.03 | 0.97 |