



Specifications

Electrical

Input Voltage: Up to 240VAC, 1Ø, 50/60Hz.
Capacitance: 0.47 microfarads, ±10%
Resistance: 22 to 680 ohms, ±10%, 0.5 watt
Varistors:

Voltage Code	Max. Allowable AC Voltage	Max. Clamping Voltage	Energy (Joules)
1	130VAC	340V @ 10A	10
2	130VAC	340V @ 10A	10
3	250VAC	650V @ 10A	17
7	150VAC	395V @ 25A	25

Power Consumption: 10VA @ 240VAC

Physical

Termination:
 #18 Stranded Wire Leads or
 #20 Solid Wire Leads
Packaging: Epoxy Filled
Weight: 1 Oz.

Ambient Temperatures

Operating: -40°C to 85°C
Storage: -40°C to 85°C

- 120 & 240 Volt Ratings
- Single Phase (1Ø) Applications
- Varistor Options
- Stranded Wire or Solid Wire Leads

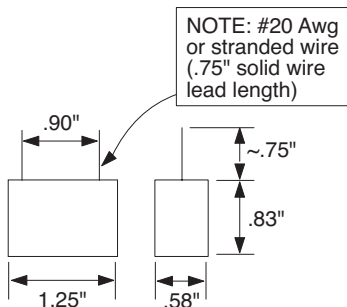


Operation

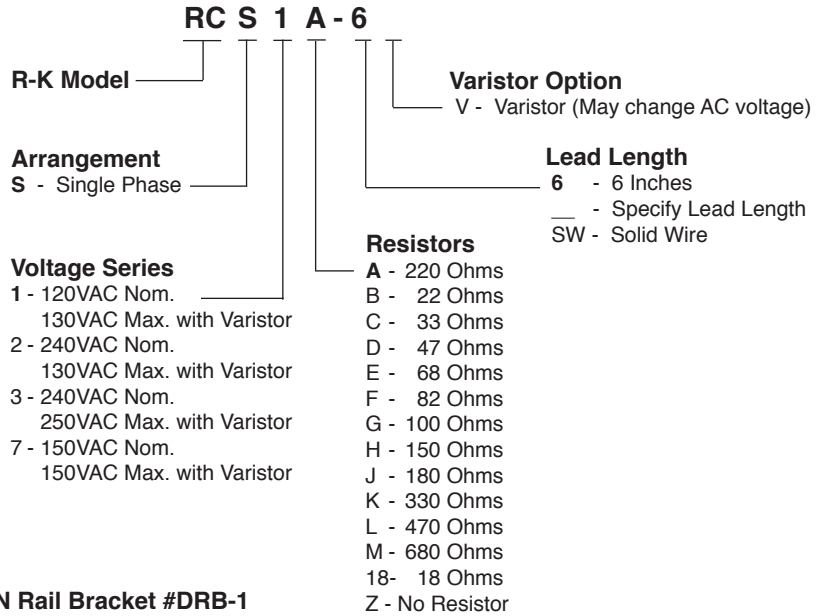
Transient Voltage Filters

R-C networks (Resistance-Capacitance) are applied to circuits where transient electrical voltages can cause a malfunction or damage in solid state controls or control systems (PLCs, CNCs, NCs, Solid State Counters, etc.) The RCSs are typically applied in parallel with single phase inductive loads (motor starter coils, contactor coils, solenoid valves, etc.) to absorb the transients generated when the load is de-energized.

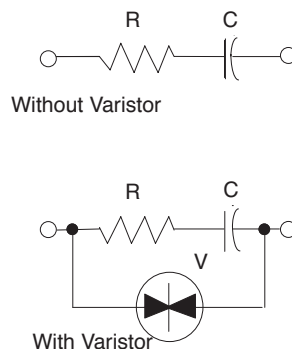
Dimensions



Ordering Information



Connections



Hook-Up Example

MS = Motor Starter SV = Solenoid Valve
 C1 = Contact C2 = Contact
 RCS = R-D Network

