



Changeover operating mechanism for contactors 3RT106, 3RT146 AC (50...60 Hz) / DC operation, 96 ... 127 V Operating mechanism: electronic with PLC input 24 V DC Screw terminal

General technical data	
product brand name	SIRIUS
product designation	Magnet coil
Control circuit	
type of voltage of the control supply voltage	AC/DC
control supply voltage	
<ul style="list-style-type: none"> <li>• 2 at AC                             <ul style="list-style-type: none"> <li>— at 50 Hz rated value 127 V</li> <li>— at 60 Hz rated value 127 V</li> </ul> </li> </ul>	
control supply voltage	
<ul style="list-style-type: none"> <li>• 2 at DC rated value 127 V</li> </ul>	

Certificates/ approvals	
General Product Approval	EMC Declaration of Conformity



[Confirmation](#)



Declaration of Conformity	Test Certificates	Marine / Shipping
---------------------------	-------------------	-------------------



[Special Test Certificate](#)

[Type Test Certificates/Test Report](#)



Marine / Shipping	other	Railway
-------------------	-------	---------



[Confirmation](#)

[Miscellaneous](#)

[Special Test Certificate](#)

**Further information**

Information- and Downloadcenter (Catalogs, Brochures,...)

<https://www.siemens.com/ic10>

Industry Mall (Online ordering system)

<https://mall.industry.siemens.com/mall/en/en/Catalog/product?mlfb=3RT1965-5NF31>

Cax online generator

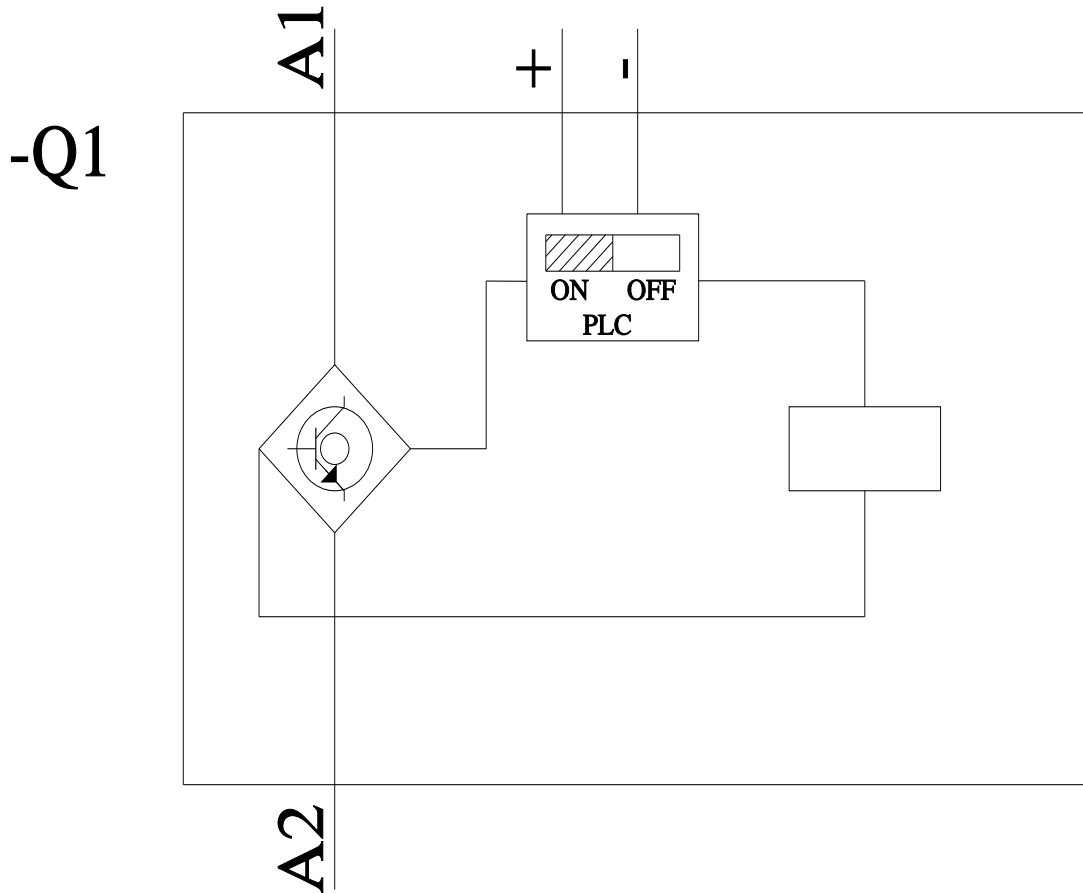
<http://support.automation.siemens.com/WW/CAXorder/default.aspx?lang=en&mlfb=3RT1965-5NF31>

Service&Support (Manuals, Certificates, Characteristics, FAQs,...)

<https://support.industry.siemens.com/cs/ww/en/ps/3RT1965-5NF31>

Image database (product images, 2D dimension drawings, 3D models, device circuit diagrams, EPLAN macros, ...)

[http://www.automation.siemens.com/bilddb/cax\\_de.aspx?mlfb=3RT1965-5NF31&lang=en](http://www.automation.siemens.com/bilddb/cax_de.aspx?mlfb=3RT1965-5NF31&lang=en)



last modified:

1/18/2021 