

touch protection cover for 3RU21 on the infeed side Size S00
 Main circuit: ring cable lug Connection Contactor overload relay



General technical data		
product brand name		SIRIUS
product designation		terminal cover
design of the product		shock protection for ring cable lug connection
ambient temperature		
• during storage	°C	-55 ... +80
• during operation	°C	-20 ... +60
Installation/ mounting/ dimensions		
fastening method		clip-on
width	mm	45
height	mm	14
depth	mm	9
Further information		

Information- and Downloadcenter (Catalogs, Brochures,...)

<https://www.siemens.com/ic10>

Industry Mall (Online ordering system)

<https://mall.industry.siemens.com/mall/en/en/Catalog/product?mfb=3RU2916-3BJ21>

Cax online generator

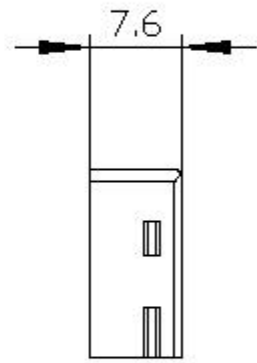
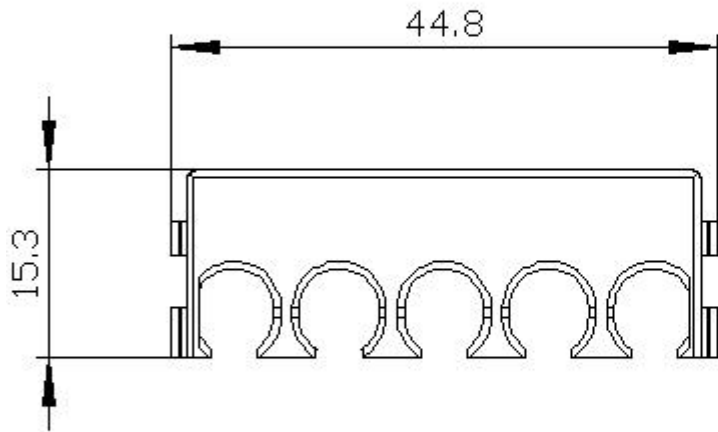
<http://support.automation.siemens.com/WW/CAXorder/default.aspx?lang=en&mfb=3RU2916-3BJ21>

Service&Support (Manuals, Certificates, Characteristics, FAQs,...)

<https://support.industry.siemens.com/cs/ww/en/ps/3RU2916-3BJ21>

Image database (product images, 2D dimension drawings, 3D models, device circuit diagrams, EPLAN macros, ...)

http://www.automation.siemens.com/bilddb/cax_de.aspx?mfb=3RU2916-3BJ21&lang=en



last modified:

5/15/2020 