

ZART12DM

Harmony eXLhoist, standard, Remote control, display, 6 motion push buttons, 6 auxiliary push buttons, MBC (tandem)



Main

| | |
|---------------------------|---|
| Range of Product | Harmony eXLhoist |
| Product or Component Type | Hand-held remote control |
| Device short name | ZART |
| Control Button Type | 6 configurable motion push-button 6 configurable auxiliary push-button |

Complementary

| | |
|----------------------------|---|
| Device application | Master in multiple bridge control (tandem) Slave in multiple bridge control (tandem) Master and slave in multiple bridge control (tandem) |
| Material | Enclosure PC (polycarbonate) Enclosure PBT (polybutylene terephthalate) Cover PP (polypropylene) Protective cover EPDM rubber |
| Function Available | Accelerometer function Vibrator function |
| Display type | LCD display 34 x 42 mm |
| Operating Distance | 50 m |
| Mechanical robustness | Free fall resistance 4.5 m IEC 60068-2-27 |
| Communication network type | Wireless bluetooth low energy |
| Transmission frequency | 2.4 GHz |
| Maximum sensing distance | 328.08 ft (100 m) in free field |
| Response time | < 300 ms full duplex |
| Charging time | 900 s |
| Autonomy | 30 h |
| Mechanical durability | 5000000 cycles |
| Service Life | 5 year(s) |
| Width | 3.94 in (100 mm) |
| Height | 13.39 in (340 mm) |
| Depth | 3.54 in (90 mm) |
| Net Weight | 1.43 lb(US) (0.65 kg) |

Environment

| | |
|---------------------------------------|---|
| Radio agreement | ANATEL ICASA RSS FCC ARIB SRRC |
| IP degree of protection | IP65 |
| NEMA degree of protection | NEMA 4 |
| Ambient Air Temperature for Operation | -4...140 °F (-20...60 °C) |
| Ambient Air Temperature for Storage | -4...113 °F (-20...45 °C) |

| | |
|------------------------|---|
| Operating altitude | 0...6561.68 ft (0...2000 m) |
| Storage altitude | 0.00...9842.52 ft (0...3000 m) |
| Vibration resistance | 0.075 mm 10...55 Hz)IEC 60068-2-6 |
| Shock resistance | 100 gn IEC 60068-2-27 |
| Relative humidity | 0...95 % -4...140 °F (-20...60 °C) operating |
| Product Certifications | JIS CE CSA UL C-tick KC EAC |

Ordering and shipping details

| | |
|-----------------------|--|
| Category | 22479-EXL HOIST WIRELESS PENDANT & ACC |
| Discount Schedule | CS2 |
| GTIN | 3606481138286 |
| Nbr. of units in pkg. | 1 |
| Package weight(Lbs) | 25.82 oz (732.0 g) |
| Returnability | No |

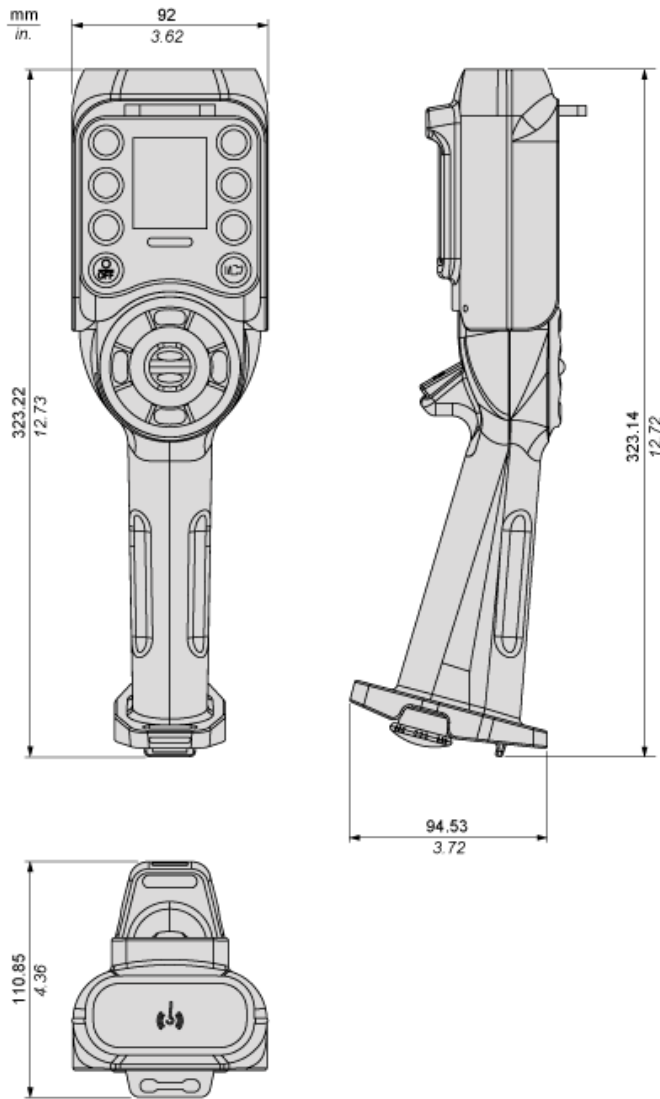
Packing Units

| | |
|------------------------------|-------------------------|
| Unit Type of Package 1 | PCE |
| Package 1 Height | 4.21 in (10.7 cm) |
| Package 1 width | 4.02 in (10.2 cm) |
| Package 1 Length | 13.27 in (33.7 cm) |
| Unit Type of Package 2 | CAR |
| Number of Units in Package 2 | 1 |
| Package 2 Weight | 3.73 lb(US) (1.693 kg) |
| Package 2 Height | 4.02 in (10.2 cm) |
| Package 2 width | 11.42 in (29 cm) |
| Package 2 Length | 11.89 in (30.2 cm) |
| Unit Type of Package 3 | S04 |
| Number of Units in Package 3 | 4 |
| Package 3 Weight | 17.69 lb(US) (8.024 kg) |
| Package 3 Height | 11.81 in (30 cm) |
| Package 3 width | 15.75 in (40 cm) |
| Package 3 Length | 23.62 in (60 cm) |

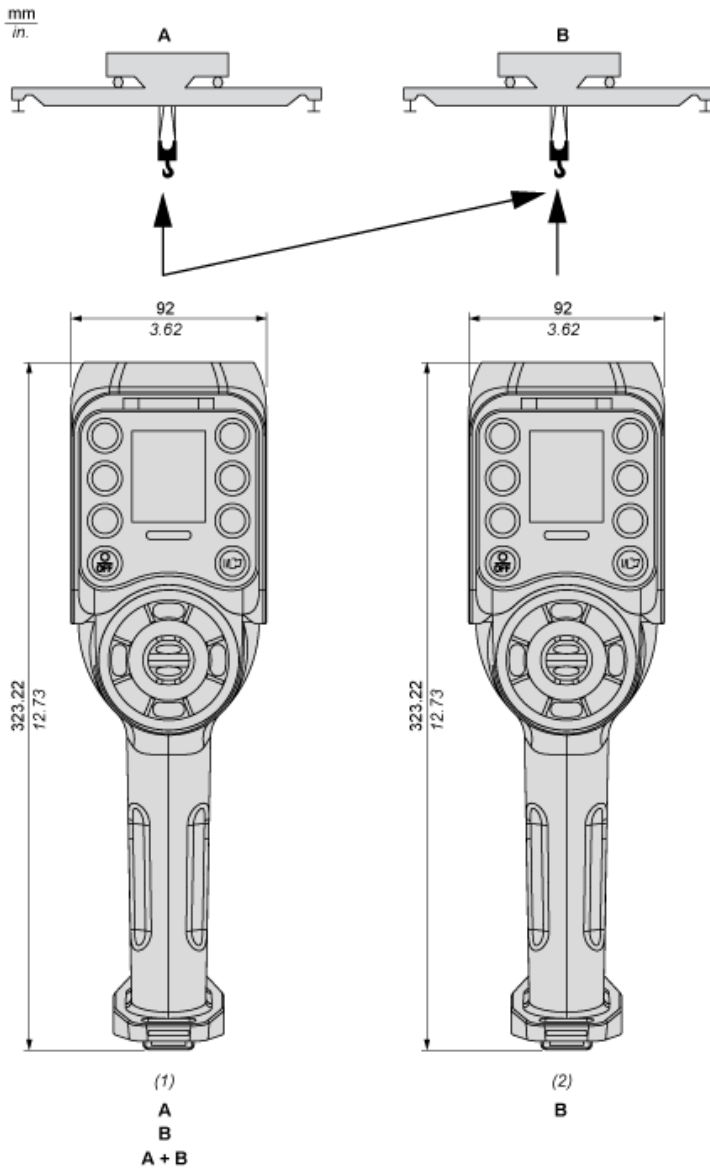
Offer Sustainability

| | |
|----------------------------|--|
| California proposition 65 | WARNING: This product can expose you to chemicals including: Nickel compounds, which is known to the State of California to cause cancer, and Di-isodecyl phthalate (DIDP), which is known to the State of California to cause birth defects or other reproductive harm. For more information go to www.P65Warnings.ca.gov |
| EU RoHS Directive | Pro-active compliance (Product out of EU RoHS legal scope)  EU RoHS Declaration |
| Mercury free | Yes |
| RoHS exemption information |  Yes |
| China RoHS Regulation |  China RoHS Declaration |
| WEEE | The product must be disposed on European Union markets following specific waste collection and never end up in rubbish bins. |

Dimensions



Multiple Bridge Control



- A : Bridge 1
- B : Bridge 2
- (1) Master
- (2) Slave