






links for paralleling without connection terminal, 3-pole for 3RT202.. Spring-type terminal



Certificates/ approvals

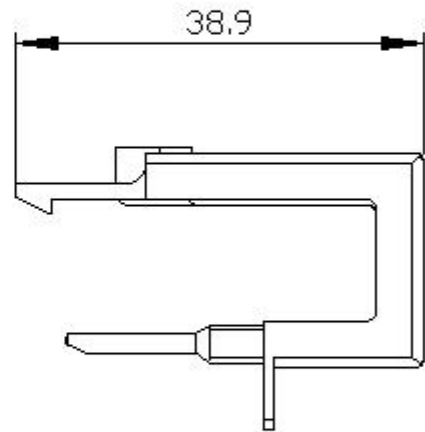
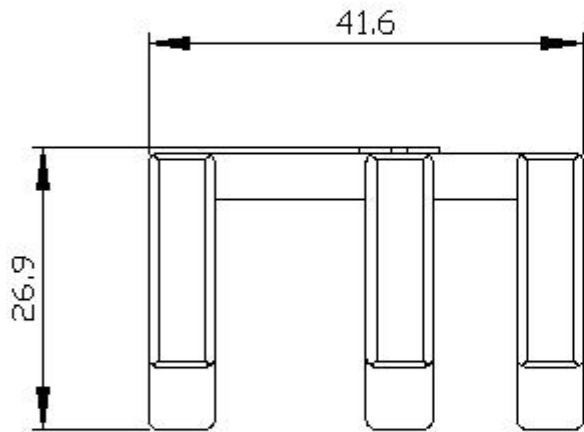
| General Product Approval | | EMC | Declaration of Conformity | | |
|--|--|--|--|--|-------------------------------|
|  |  |  |  |  | Miscellaneous |

| Test Certificates | Shipping Approval | | | other | |
|--|---|---|---|---|------------------------------|
| Type Test Certificates/Test Report |  |  |  |  | Confirmation |

| other |
|---|
|  |

Further information

- Information- and Downloadcenter (Catalogs, Brochures,...)
<https://www.siemens.com/ic10>
- Industry Mall (Online ordering system)
<https://mall.industry.siemens.com/mall/en/en/Catalog/product?mlfb=3RT2926-4BA32>
- Cax online generator
<http://support.automation.siemens.com/WW/CAXorder/default.aspx?lang=en&mlfb=3RT2926-4BA32>
- Service&Support (Manuals, Certificates, Characteristics, FAQs,...)
<https://support.industry.siemens.com/cs/ww/en/ps/3RT2926-4BA32>
- Image database (product images, 2D dimension drawings, 3D models, device circuit diagrams, EPLAN macros, ...)
http://www.automation.siemens.com/bilddb/cax_de.aspx?mlfb=3RT2926-4BA32&lang=en



last modified:

11/4/2020 