

1. Features :

- Low Voltage Dataline filter design to provide clean power into Shielded / MRI rooms. The filters are designed with minimum leakage current to ground and provide 100dB attenuation from 1MHz to 10GHz, Pass Band 0-100KHz.
- Voltage Rating: 120V/240V
- Current Rated: 2.5-5.0 Amp
- Frequency: DC to 60Hz
- Hi-Pot: Line to Ground: 1000VDC for 2 sec
Line to Line: VDC for 2 sec
- Ambient Temperature Range: -25°C To +85°C
- Filter components are encapsulated in a plated metal enclosure
- Ideal for Fire Alarm, LED Lighting, Datalines and other low power applications
- Leakage Current: 5mA @ 120VAC 60Hz
- The filters comply with UL and cUL construction requirements

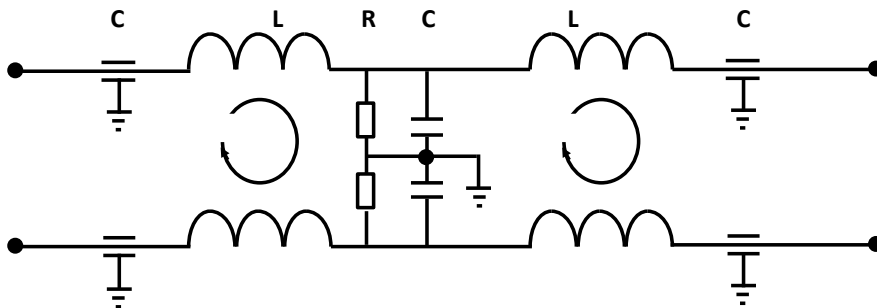


2. Electrical Characteristics :

ITG Part Number	Operating Current (A) at 60°C	Output terminal(AWG)	Output Lines
F2779Y002L-011	2.5	20	2
F2779Y002L-013	2.5	20	6
F2779Y002L-014	2.5	20	8
F2779Y005L-011	5.0	16	2
F2779Y005L-013	5.0	16	6
F2779Y005L-014	5.0	16	8

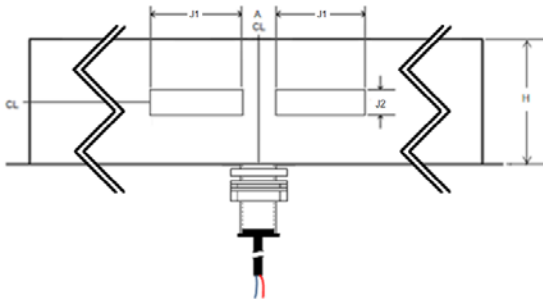
3. Schematic:

Per Channel



4. Mechanical Dimensions in mm, $\pm 2\text{mm}$:

ITG Part Number	L	W1	W2	W3	H	J1	J2	K
F2779Y00XL-011	155.0	70.0	80.0	100.0	45.0	5.0	7.0	18.0
F2779Y00XL-013	155.0	210.0	220.0	240.0	45.0	5.0	7.0	18.0
F2779Y00XL-014	155.0	280.0	290.0	310.0	45.0	5.0	7.0	18.0



Installation Guide

