

- ATQ2716 Package
- 7 Pin Through Hole Design
- Industrial Operating Temp Range: -40°C to +85°C

Electrical Specification @ 25°C						
Inductance @100KHz, 1.0V	Leakage Inductance @100KHz, 1.0V	DCR (mΩ) max				
(4 - 5)	(4 - 5) (Short FL1, FL2, FL3)	(4 - 5)	(1 - 2)	(2 - 3)	(FL2 - FL1)	(FL3 - FL2)
210μH±5%	9.0μH Max	150	150	115	8.0	120

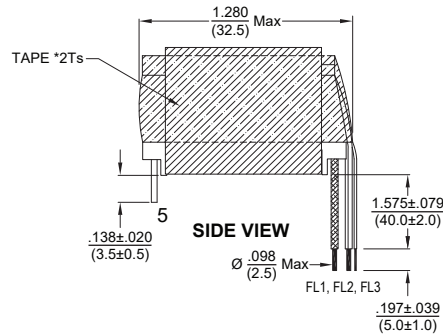
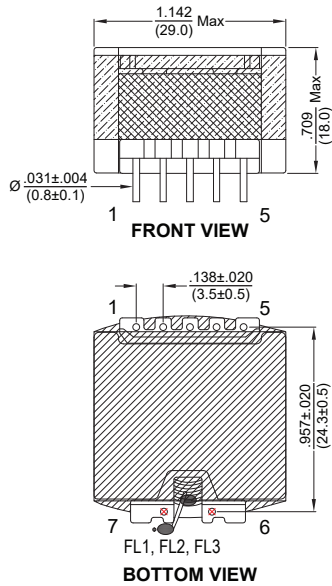
  

Turns Ratio @ 15.75KHz, 1.0V	Hi-Pot (50/60Hz) VAC / 5mA / 3Sec			Insulation Resistance 100MΩ min		
(4-5):(1-2):(2-3):(FL2-FL1):(FL3-FL2)	Pri - Sec	Pri - Core	Sec - Core	Pri - Sec	Pri - Core	Sec - Core
1 : .182 : .136 : .136 : .136	1500	1000	1000	500V	500V	500V

All specifications subject to change without notice.

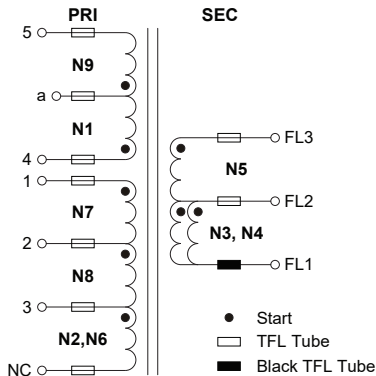
**MECHANICAL**

DIMENSIONS:  $\frac{\text{inch}}{\text{mm}}$



NOTE: Pins 6 & 7 removed

**SCHEMATICS**



**WINDING CONSTRUCTION**

