



- RM6 Core Design
- Made with UL Approved Materials
- Operating Temperature Range: -40°C to +85°C

Electrical Specifications @ 25°C

Inductance @ 1KHz, 1V	Leakage Inductance @ 100KHz, 1V	DC Resistance (mΩ) Max				Turns Ratio
		1 - 2	4 - 3	6 - 5	8 - 7	
1 - 2	1 - 2 (short other pins)	1 - 2	4 - 3	6 - 5	8 - 7	(1-2):(4-3):(6-5):(8-7)
157μH ±10%	4.0μH Max	205	420	35	215	1 : .206 : .206 : .103

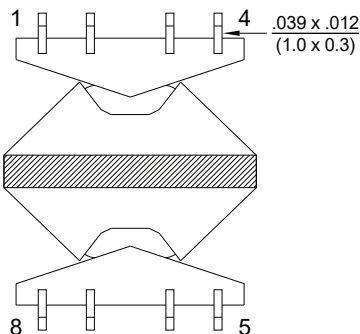
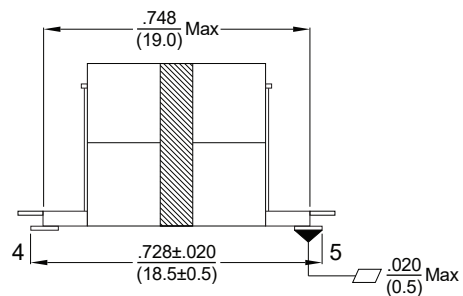
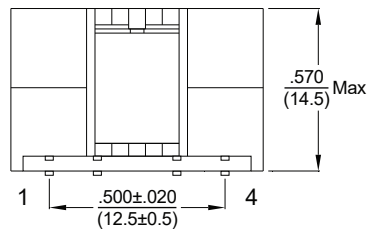
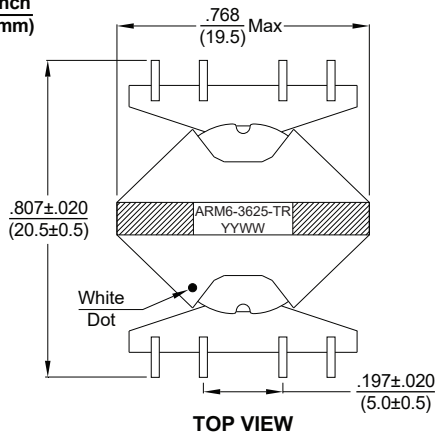
Electrical Specifications @ 25°C

Hi Pot 50Hz / 60Hz 5mA / 60Sec			Insulation Resistance (VDC) 100MΩ Min		
Pir - Sec	Pri - Core	Sec - Core	Pir - Sec	Pri - Core	Sec - Core
1500Vac	1500Vac	1500Vac	500	500	500

All specifications subject to change without notice.

MECHANICAL

DIMENSIONS: $\frac{\text{inch}}{\text{mm}}$



SCHEMATIC

