

# RM10 PFC Choke

# ARM10-4734

- RM10 Core Design
- Made with UL Approved Materials
- Industrial Operating Temp Range: -40°C to +85°C

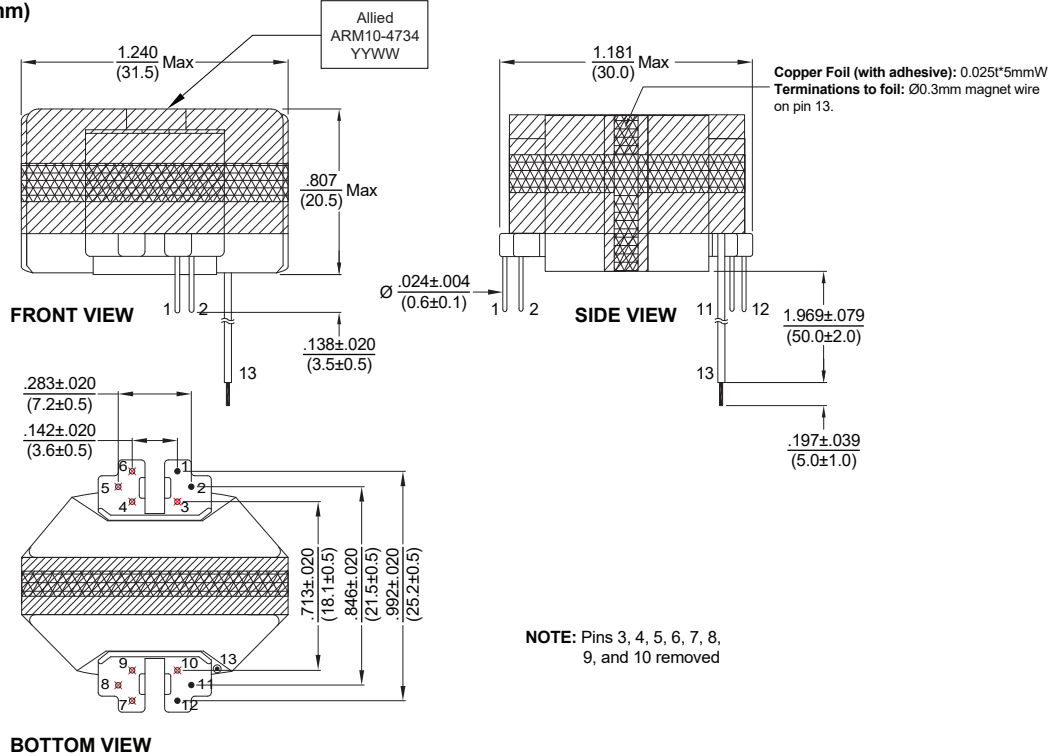


Primary Electrical Specifications @ 25°C					
Inductance @ 10KHz, 1.0Vrms	DC Resistance (mΩ) Max	Rated Current (A)	HI-POT (50Hz) VAC/5mA/3SEC		Insulation Resistance VDC (100MΩ min)
			Coil - Core	Shield - Core	
(11,12 - 1,2)	(11,12 - 1,2)	2.8	600	600	500
200μH ±5%	115				

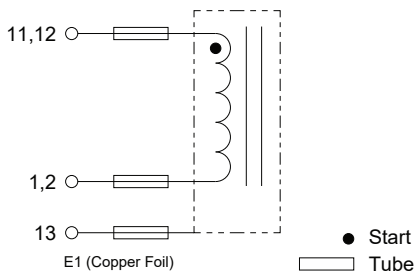
All specifications subject to change without notice.

## MECHANICAL

DIMENSIONS:  $\frac{\text{inch}}{\text{mm}}$



## SCHEMATIC



## WINDING CONSTRUCTION

