



2x4 RJ45 With Integrated Magnetics

AR24-4464I

- 10/100/1000 Gigabit Base-T
- For PoE+ IEEE 802.3at Applications
- Balanced DC Current: 720mA Max @ 57V (Continuous)
- RJ45 Cavities conform to FC Rules and Regulation Part 68
- Industrial Temp: 40°C to ± 85°C
- The part is recommended for wave soldering process, peak soldering temperature is 260°C Max, 10 Sec Max



Electrical Specifications @ 25°C

OCL(µH Min) @100KHz, 0.1V		Turns Ratio @100KHz	DC Resistance	Insertion Loss (dB Max)	
With 8mA DC Bias	With 21mA DC Bias			1-100 MHz	100-125MHz
350	120	1:1 ±5%	1.2Ω Max	-1.0	-1.2

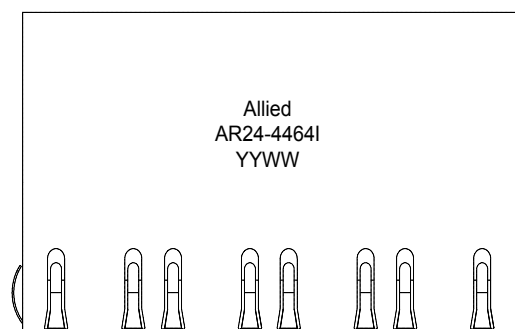
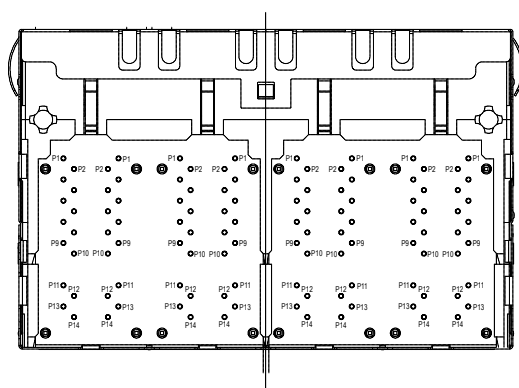
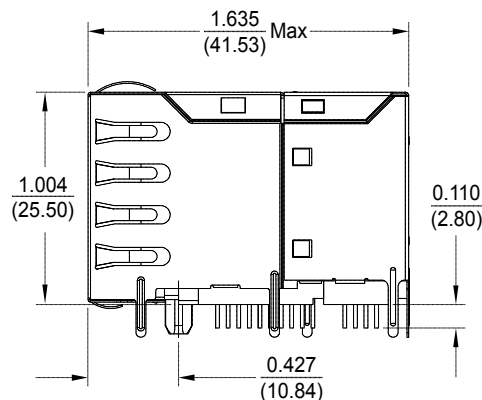
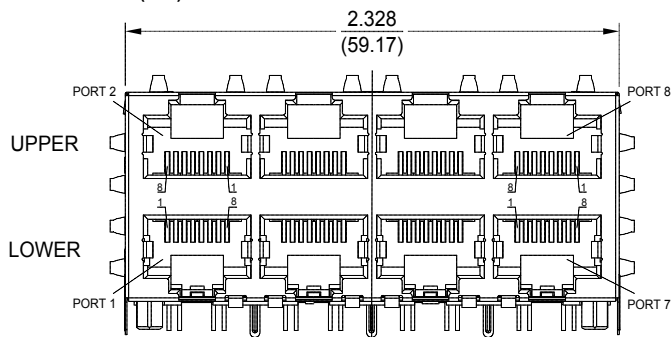
Electrical Specifications @ 25°C

Cross Talk (dB Min)	Return Loss (dB Min)				Common to Common Mode Attenuation (dB Min)	Isolation PHY Side to Line Side
1-100MHz	1-40MHz	40-60MHz	60-80MHz	80-100MHz	1-100 MHz	
-30	-16	-12	-10	-8	-30	2250VDC

All specifications subject to change without notice.

MECHANICAL

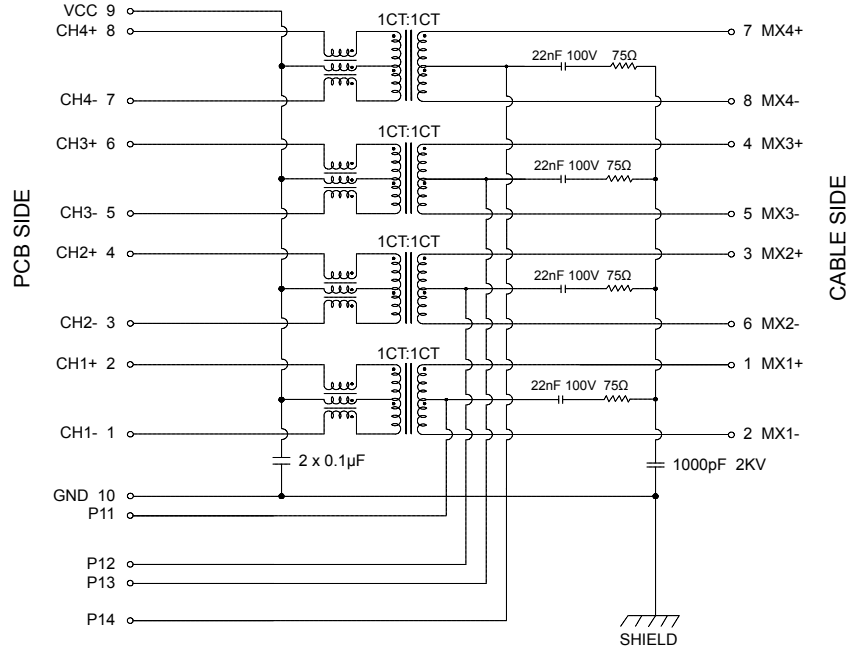
DIMENSIONS: $\frac{\text{inch}}{\text{(mm)}}$



Unless otherwise specified, all dimensions tolerances are ±0.010 (.254)

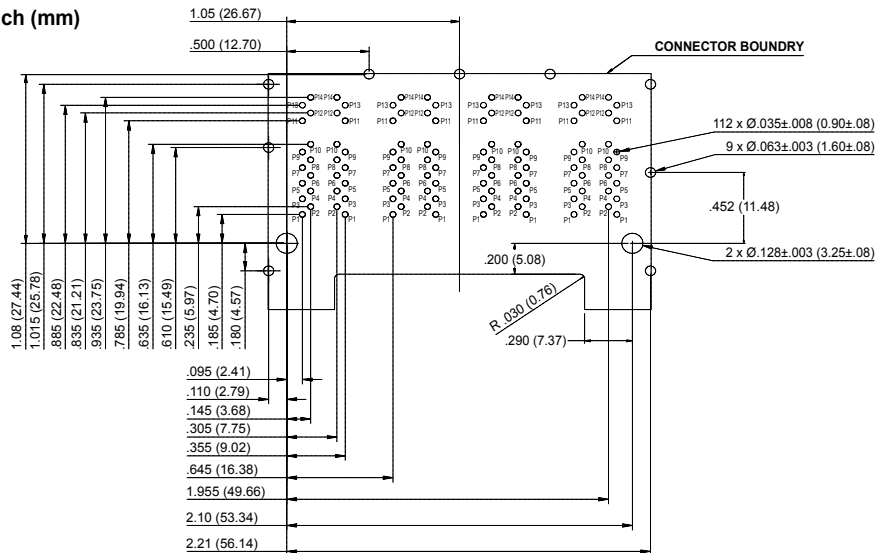


SCHEMATICS



PCB LAYOUT

DIMENSIONS: inch (mm)



NOTES

Unless otherwise specified, all dimensions tolerances are ±0.004 (.100)

- CONNECTOR MATERIAL:
HOUSING: LCP BLACK UL94V-0
SHIELD: BRASS
SHIELD PLATING: NICKEL
CONTACT: PHOSPHOR BRONZE
CONTACT PLATING: GOLD, 6µ" MIN IN CONTACT AREA
- PINS NOT ELECTRICALLY CONNECTED MAY BE OMITTED. SEE SCHEMATIC FOR OMITTED PINS