



- Industrial Operating Temp: -40°C to +85°C
- Storage Temperature: -40°C to +85°C

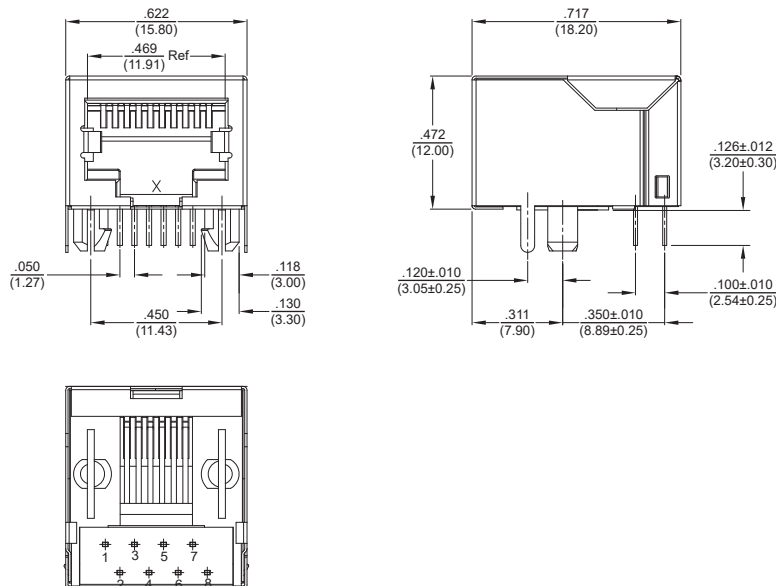
Electrical Specifications @ 25°C

Voltage Rating (VAC RMS)	Current Rating (Amp)	Contact Resistance (Max)	Insulation Resistance (Min @ 500 VDC)	Dielectric Strength @ .5mA 50Hz or 60Hz / 60Sec
150	1.5	30mΩ	500MΩ	1000VAC or 750VAC (With PCB)

All specifications subject to change without notice.

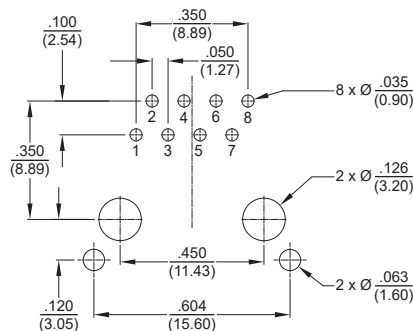
MECHANICAL

Dimensions: $\frac{\text{inch}}{\text{(mm)}}$



PCB LAYOUT

Dimensions: $\frac{\text{inch}}{\text{(mm)}}$



Tolerance ±.002 (0.05)

NOTES

- 1. Housing & Insert Material:** Thermoplastic (UL94 V-0)
- 2. Contact:** Copper Alloy, T=0.35mm Nickel 50µ" Min Under Plating Overall. Gold Plated 15µ" On Contact Area
- 3. Pins:** 100µ" Min Plated Solder Tail.
- 3. Shield:** Copper Alloy With Nickel Plating, T=0.2mm