



Single Port RJ45 Connector

AR11-4616I



- 100/1000 Base-T Gigabit Ethernet Application
- RJ45 jack cavity conforms to FCC rules and regulations Part 68, SUB Part F
- Storage Temp: -40°C to +85°C
- Operating Temp: -40°C to +85°C

Electrical Specifications @ 25°C

OCL(μH Min) @ 100kHz, 0.1V	Turns Ratio @100kHz, (±5%)				Insertion Loss (dB Max)		CrossTalk (dB Min)
With 8mA DC Bias	P3-P4 : J7-J8	P5-P6 : J4-J5	P7-P8 : J3-J6	P9-P10 : J1-J2	1-100MHz	100-125MHz	1-100MHz
350	1 : 1	1 : 1	1 : 1	1 : 1	-1.0	-1.2	-30

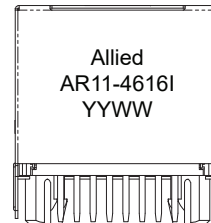
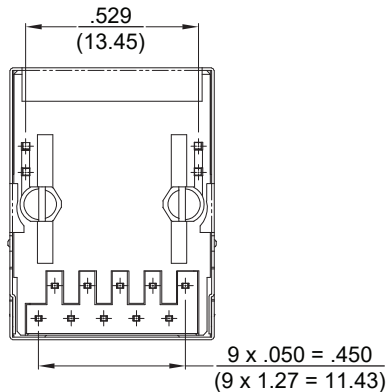
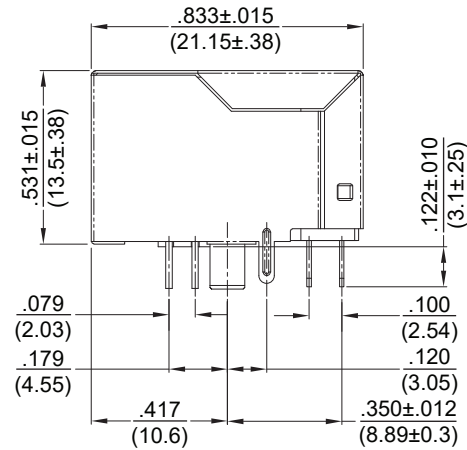
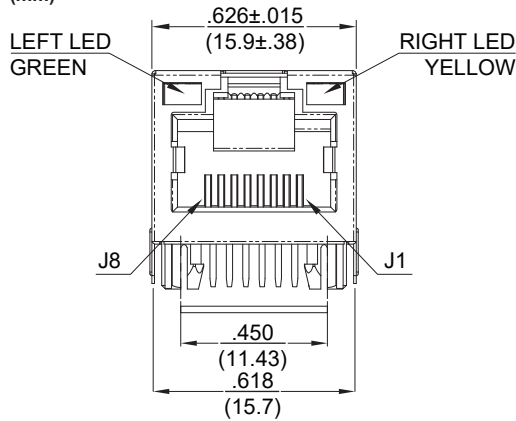
Electrical Specifications @ 25°C

Return Loss (dB Min)				CMR (dB Min)	HI-POT INPUT-OUTPUT 1.0mA/60Sec. 1500VAC
1-30MHz	30-60MHz	60-80MHz	80-100MHz	1-100MHz	
-18	-16	-12	-10	-30	

All specifications subject to change without notice.

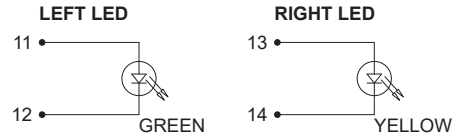
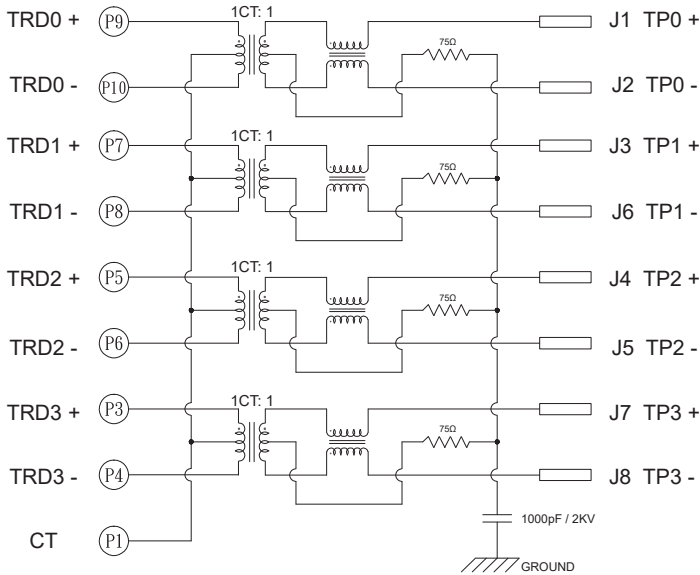
MECHANICAL

DIMENSIONS: ^{inch}
(mm)





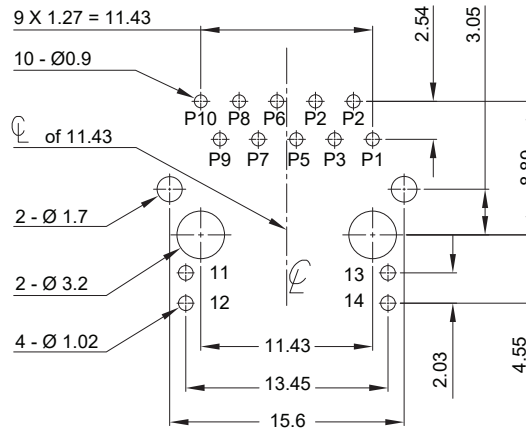
SCHEMATICS



STANDARD LED	WAVELENGTH	FORWARD VOLTAGE
GREEN	565nm	2.5V Max
YELLOW	585nm	2.5V Max

With a forward current of 20mA.

PCB LAYOUT



NOTES

1. Shielded - 0.20mm Thickness Brass C2680H
Plating Nichel 20µ" Min.
2. Housing - Plastic: Nylon 66, Glass Fiber Filled
UL94V-0 Standard Color Black
3. Contact Pin - Plastic: Nylon 66, Glass Fiber Filled
UL94V-0 Standard Color Black
Pin: 0.35mm Thickness Phosphor Bronze C5210 EH
Plating: Nickel 30µ"-60µ" for all and Sn 100%
and Gold Plating 6µ"
4. Insert Pin - Plastic: Nylon 66, Glass Fiber Filled
UL94V-0 Standard Color Black
Pin: 0.35mm Thickness SUS430
Plating: 120µ" Min Sn All Over 30µ"-60µ" Nickel