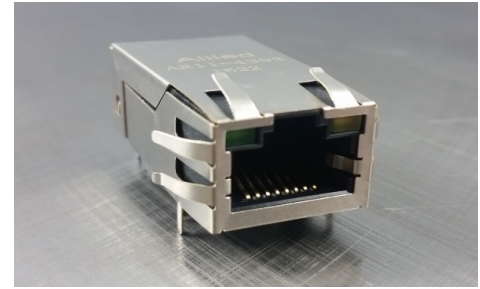




Single Port RJ45 Connector

AR11-4393

- 10G Base-T for LAN and other Ethernet Applications
- Designed to meet IEEE802.3
- Standard Temp Range: 0°C to +70°C

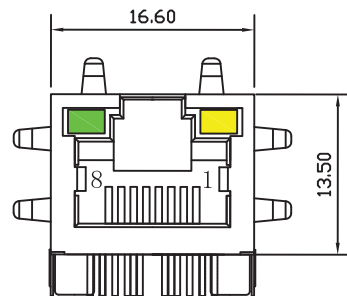


Electrical Specifications @ 25°C						
Part Number	OCL(uH Min) @ 100kHz With 0.1V	Turns Ratio (± 3%) Pri: Sec	Cross Talk (dB Min)		CMR (dB Min)	
			1-100MHz	100-500MHz	1-250MHz	250-500MHz
AR11-4393	120	1CT:1CT	-40	-30	-30	-22

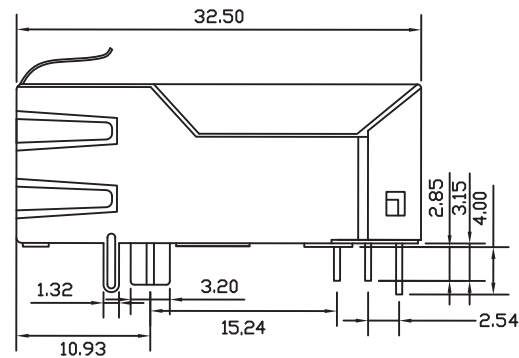
Electrical Specifications @ 25°C						
Part Number	Insertion Loss (dB Max)		Return Loss (dB Min)			HI-POT (Test)
	1-300MHz	300-500MHz	1-40MHz	40-400MHz	400-500MHz	(Vrms Min)
AR11-4393	-1.0	-2.0	-18	-8	-5	1500

All specifications subject to change without notice.

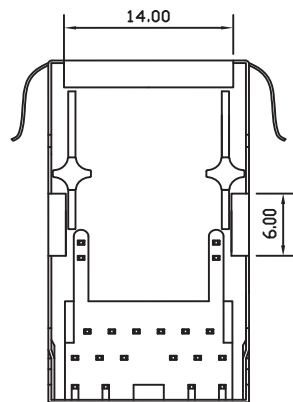
MECHANICAL



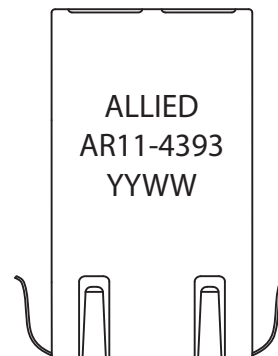
Front Side View



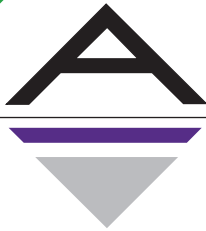
Left Side View



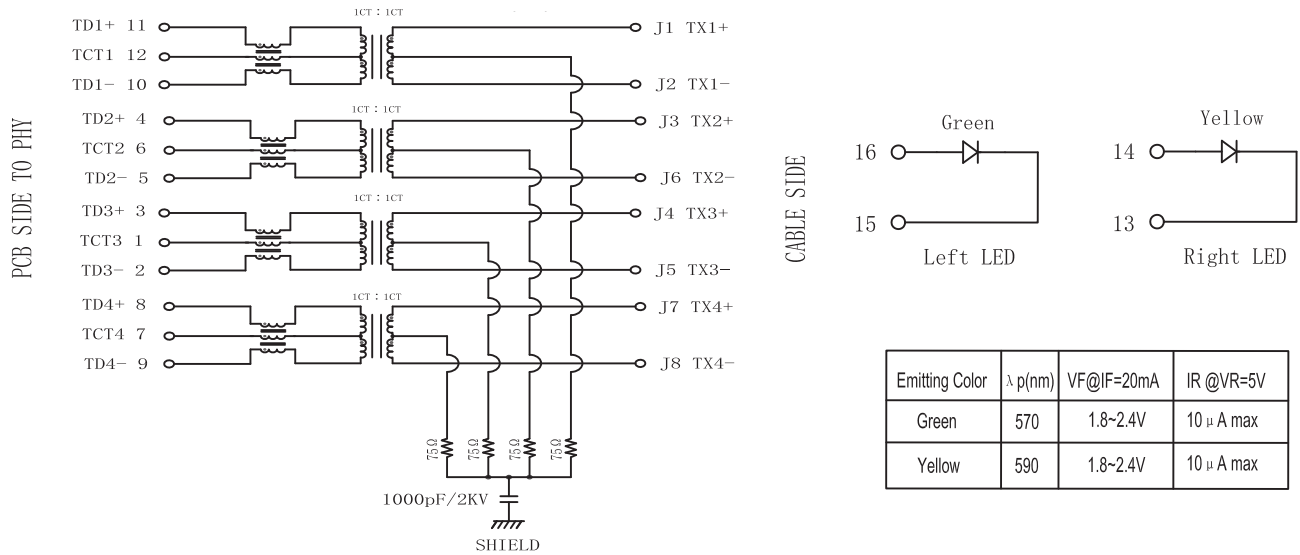
Bottom Side View



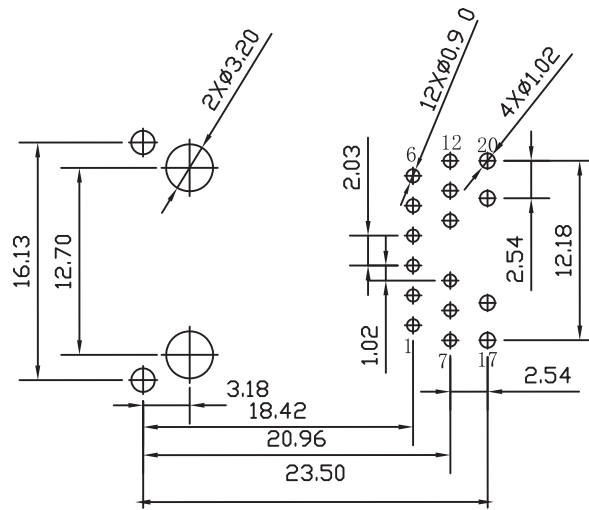
Top Side View



**SCHEMATICS**



**PCB LAYOUT**



**NOTES**

- Connector Materials:  
 Housing: Thermoplastic UL94V-0  
 Contact/Shield: Copper alloy  
 Shield plating: Nickel  
 Contact plating: Gold 6 micro-inches min. In contact area.
- Wave solder tip temperature: 265°C Max, 5 Sec Max