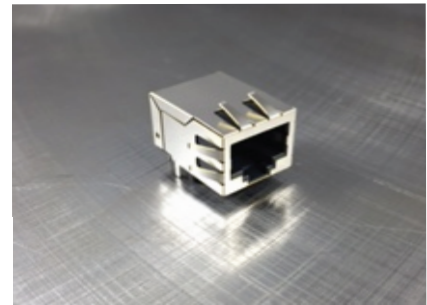




Single Port RJ45 Connector

AR11-4361I

- 10/100 BaseT for LAN and other Ethernet Applications
- Transmit open circuit inductance (OCL): 350µH (MIN) @ 100KHz, 0.1VRMS with 8mA DC Bias
- RJ45 Jack cavity conforms to FCC rules and regulations Part 68, SUB Part F
- Industrial Temp: -40°C to +85°C



Electrical Specifications @ 25°C

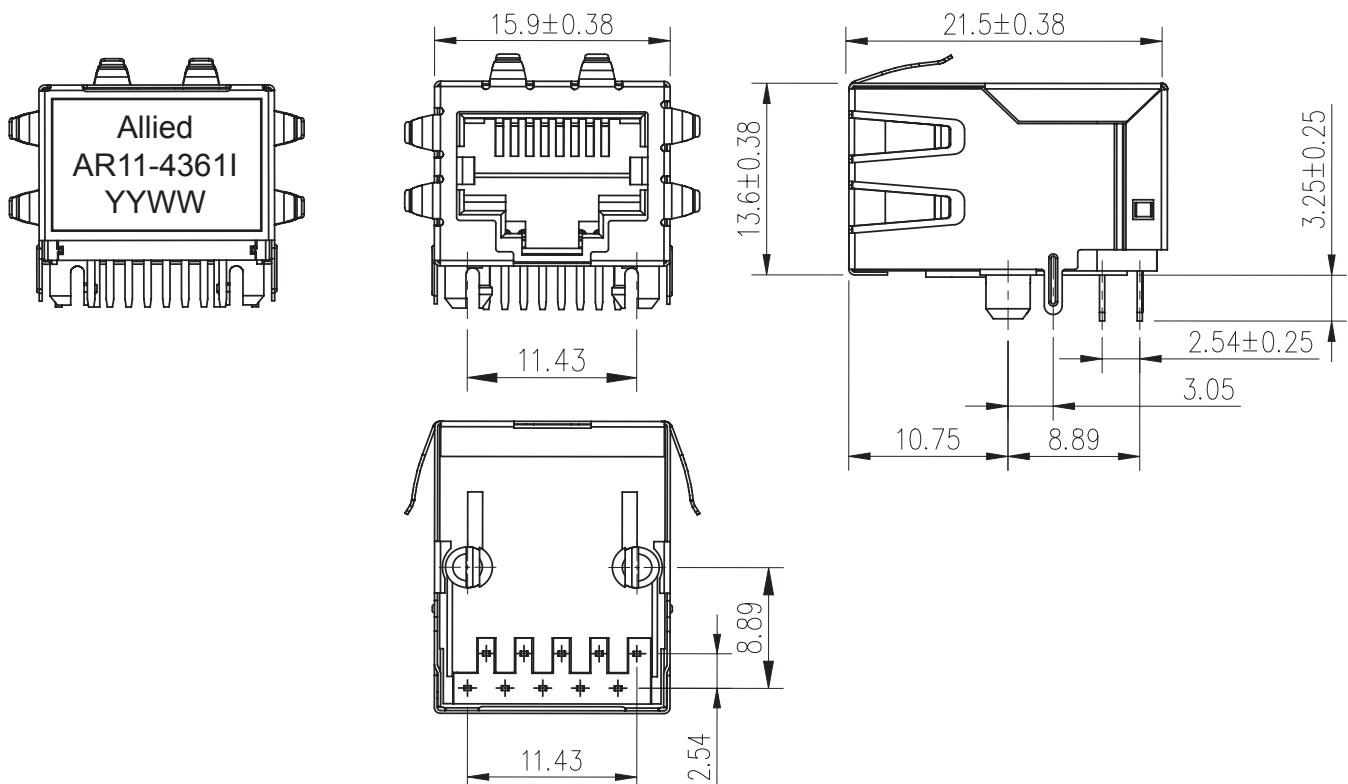
Part Number	OCL(µH Min) @ 100KHz, 0.1V With 8mA DC Bias	Turns Ratio chip: cable (±5%)	Insertion Loss (dB Max)		Cross Talk (dB Min) 1~100MHz
			1-100MHz	100-125MHz	
AR11-4361I	350	1CT:1CT	-1.0	-1.2	-30

Electrical Specifications @ 25°C

Part Number	Return Loss (dB Min)				Common Mode Rejection (dB Min) 1-100MHz	Hi-Pot Test 1mA, 60S 1500Vrms
	1-30MHz	30-60MHz	60-80MHz	80-100MHz		
AR11-4361I	-18	-16	-12	-10	-30	1500Vrms

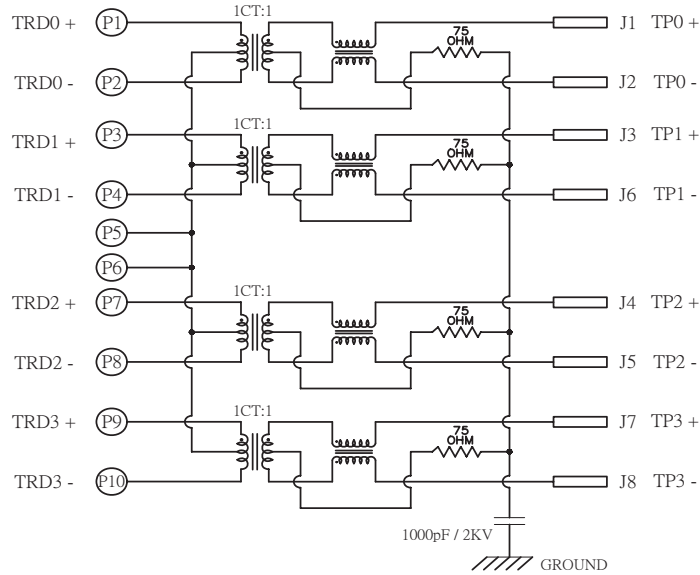
All specifications subject to change without notice.

MECHANICAL

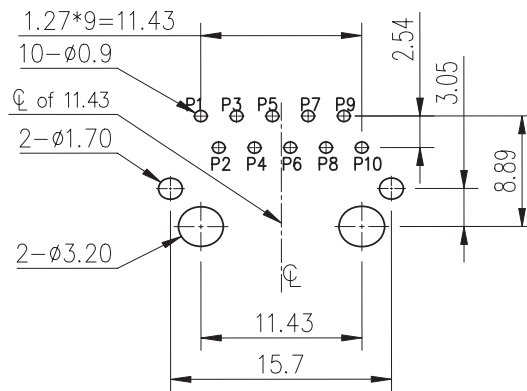




SCHEMATICS



PCB LAYOUT



RECOMMENDED PCB LAYOUT
TOLERANCE $\pm 0.05\text{mm}$ (T=1.6mm)

NOTES

1. Shielded - 0.20mm Thickness Brass C2680 H.
Plating Nickel 20u"MIN.
2. Housing- Plastic: Nylon 66, Glass Fiber Filled
Polyester UL94V-0 Standard Color Black.
3. Contact Pin- Plastic: Nylon 66, Glass Fiber Filled
Polyester UL94V-0 Standard Color Black.
Pin: 0.35mm Thickness Phosphor Bronze C5210 EH.
Plating: Nickel 30u"~60u" For All And Sn 100%,
And Gold Plating 6u".
4. Insert Pin- Plastic: Nylon 66, Glass Fiber Filled
Polyester UL94V-0 Standard Color Black.
Pin: 0.35mm Thickness SUS430.
Plating: Sn All Over 30u"~60u" Nickel