

SINGLE PORT RJ45 CONNECTOR

AR11-4316

- 100/1000 Base-T Gigabit for LAN and other Ethernet Applications
- Transmit open circuit inductance (OCL): 350uH (MIN) @100KHz,0.1VRMS with 8mA DC Bias
- RJ45 jack cavity conforms to FCC rules and regulations Part 68, SUB Part F
- Standard operating temp: 0°C to +70°C



Electrical Specifications @ 25°C

Part Number	OCL(uH Min) @ 100kHz, 0.1V	Turns Ratio: @100KHz,0.1V				Cross Talk (dB Min)	HI-POT 1.0mA 60s
	With 8mA DC Bias	P2-P3: J1-J2	P4-P5: J3-J6	P6-P7: J4-J5	P8-P9: J7-J8	1-100MHz	INPUT TO OUTPUT
AR11-4316	350	1:1±5%	1:1±5%	1:1±5%	1:1±5%	-30	1500VAC

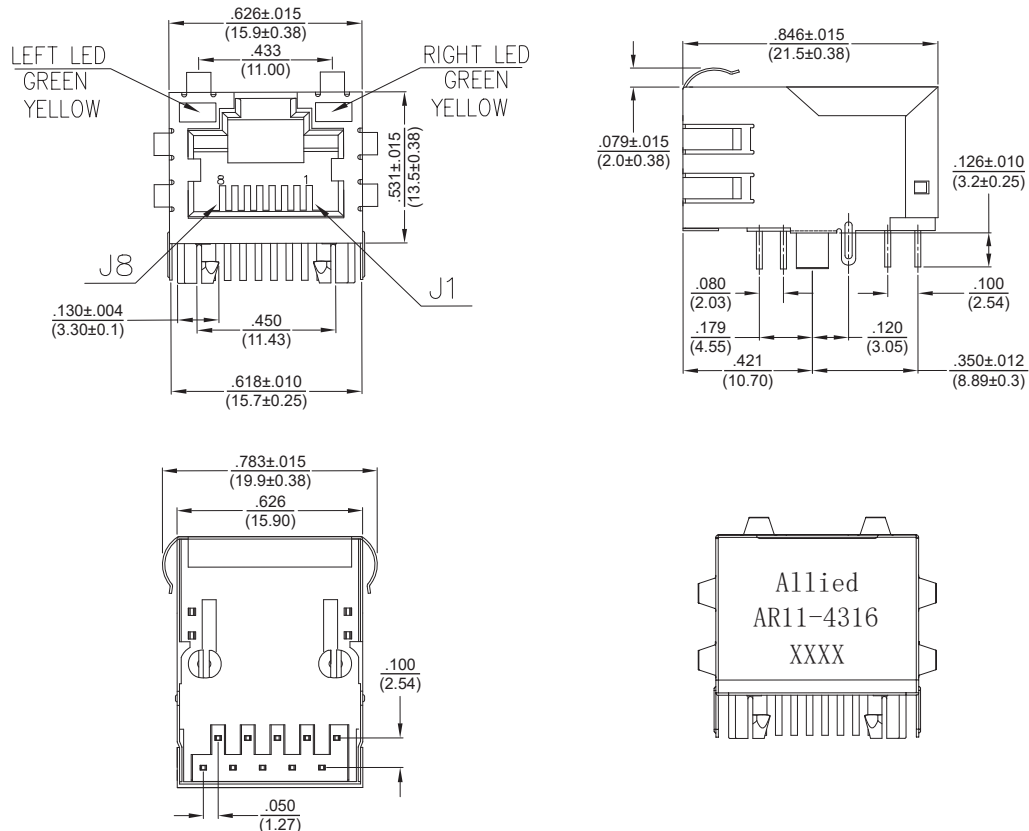
Electrical Specifications @ 25°C

Part Number	Insertion Loss (dB Max)		Return Loss (dB Min) @ Load 100 Ohm				CMR (dB Min)
	1-100MHz	100-125MHz	1-30MHz	30-60MHz	60-80MHz	80-100MHz	1-100MHz
AR11-4316	-1.0	-1.2	-18	-16	-12	-10	-30

All specifications subject to change without notice.

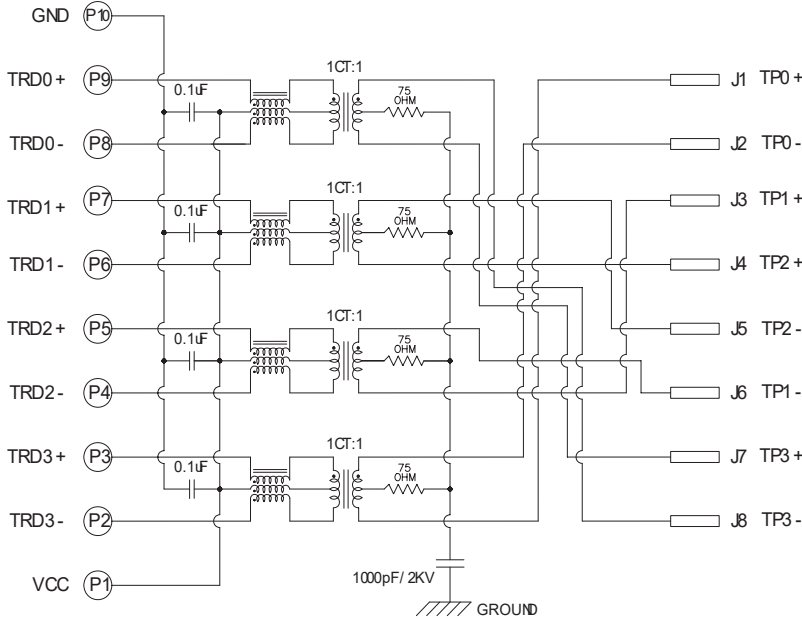
MECHANICAL

Dimensions: $\frac{\text{inch}}{\text{mm}}$

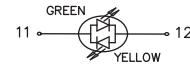




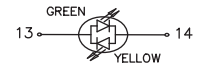
SCHEMATICS



LEFT LED
11+ 12- GREEN
11- 12+ YELLOW



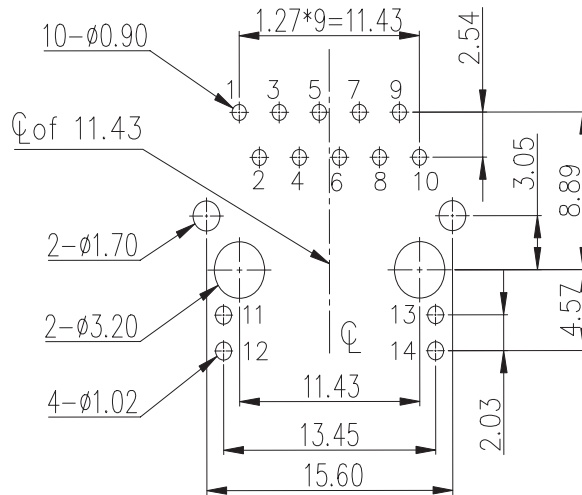
LEFT LED
13+ 14- GREEN
13- 14+ YELLOW



STANDARD LED	WAVELENGTH	FORWARD VOLTAGE
GREEN	565nm	2.5V MAX
YELLOW	585nm	2.5V MAX

With a forward current of 20mA

PCB LAYOUT



NOTES

- Shielded - 0.20mm THICKNESS BRASS C2680 H. PLATING NICKEL 20u"Min.
- Housing- Standard Material Nylon66,Glass Filled Polyester UL94V-0 Standed Color Black.
- Contact Pin- Plastic:Nylon66 UL94V-0,Standard Color Black. Pin:0.35mm Thickness Phos-Bronze C5210 EH. Plating:Nickel30u"~60u" for all and Sn 100%, and Gold Plating 50u".
- Insert Pin- Plastic:Nylon66,Glass Filled,UL94V-0, Standard Color Black. Pin:0.35mm Thickness SUS430. Plating:Nickel30u"~60u" for all and Sn 100%.