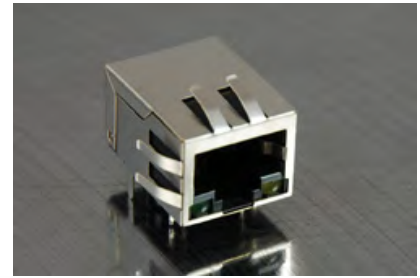




- 10/100/1000 Base-T for Ethernet Applications
- Standard operating temp: 0°C to +70°C
- Transmit open circuit inductance (OCL): 350uH (MIN)
@ 100KHz, 0.1Vrms with 8mA DC Bias
- RJ45 jack cavity conforms to FCC rules and regulations Part 68, SUB Part F



Electrical Specifications @ 25°C

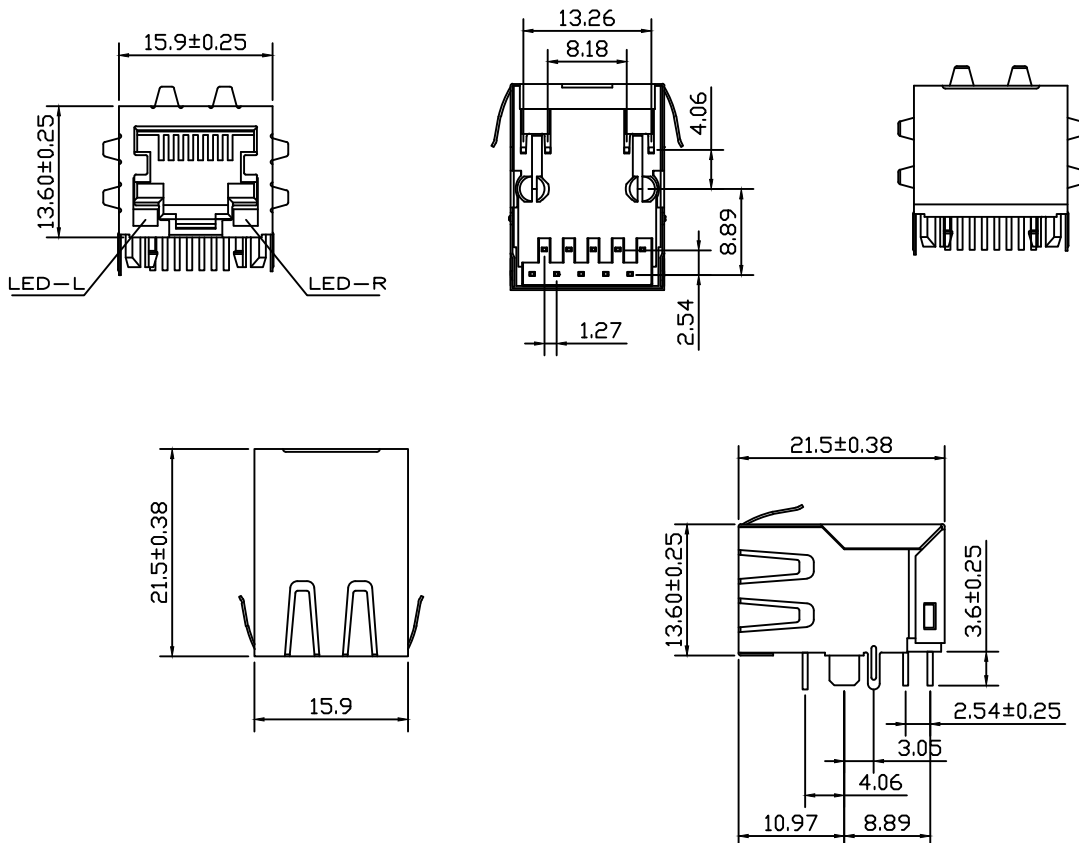
Part Number	OCL(uH Min) @ 100kHz, 0.1V With 8mA DC Bias	Turns Ratio chip: cable (± 2%)	Cross Talk (dB Min)				HI-POT Test
			0.5-10MHz	30MHz	50MHz	100MHz	
AR11-4184	350	1CT:1CT	-50	-40	-35	-30	1500 Vrms / 1.0mA @ 3 sec

Electrical Specifications @ 25°C

CMR (dB Max)					CDMR (dB Min) @ Load 100 Ohm				
0.3-1MHz	10MHz	30MHz	60MHz	100MHz	0.3-1MHz	10MHz	30MHz	60MHz	100MHz
-50	-47	-42	-37	-30	-50	-50	-50	-45	-40

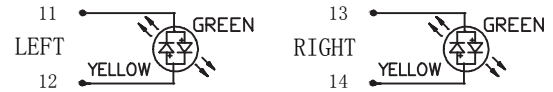
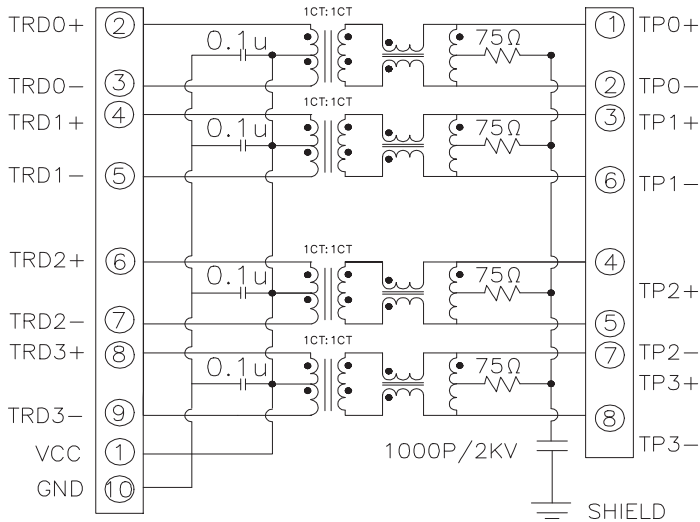
All specifications subject to change without notice.

MECHANICAL





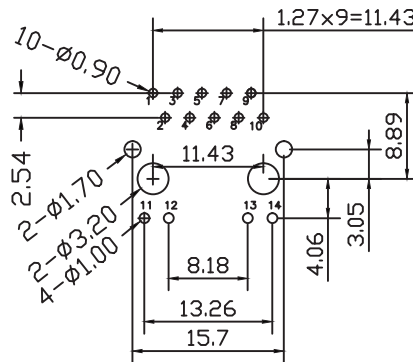
SCHEMATICS



Standard LED	Wavelength	Forward*V(MAX)	TYP
Green	565nm	2.5v	2.2v
Yellow	565nm	2.5v	2.1v

With a forward current of 20mA

PCB LAYOUT



NOTES

- Shield- 0.20mm THICKNESS BRASS C2680 H. PLATING NICKEL 20u" Min.
- Housing- Standard Material Nylon66, Glass filled Polyester UL94V-0 Standard Color Black.
- RJ Terminal- Plastic: Nylon66, UL94V-0, Standard Color Black.
Pin: 0.35mm Thickness Phos-Bronze C5210 EH. Plating: Nickel 40u"-60u" for all and Sn 100%, and 30u" Gold Plating.
- Input Terminal: Plastic Nylon66, Glass Filled, UL94V-0, Standard Color Black.
Pin: 0.35mm Thickness SUS430. Plating: Nickel 40u"-60u" for all and Sn 100%.