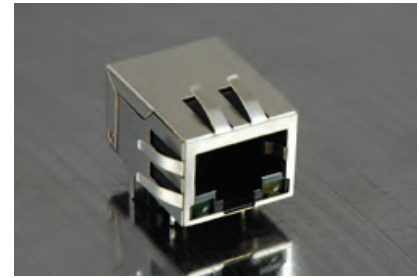




- 1000 Base-T for Ethernet Applications
- Designed to meet IEEE802.3af standards
- Industrial Temp: -40°C to + 85°C
- Contact Factory Standard Operating Temp.



Electrical Specifications @ 25°C

Part Number	OCL(uH Min) @ 100kHz, 0.1V	Turns Ratio chip: cable (± 5%)	Cross Talk (dB Min)	CMR (dB Min)	Isolation (dB Min)
	With 8mA DC Bias		1-100MHz	1-100MHz	PHY Side to Line Side
AR11-4161I	350	1CT:1CT	-30	-30	1500VAC

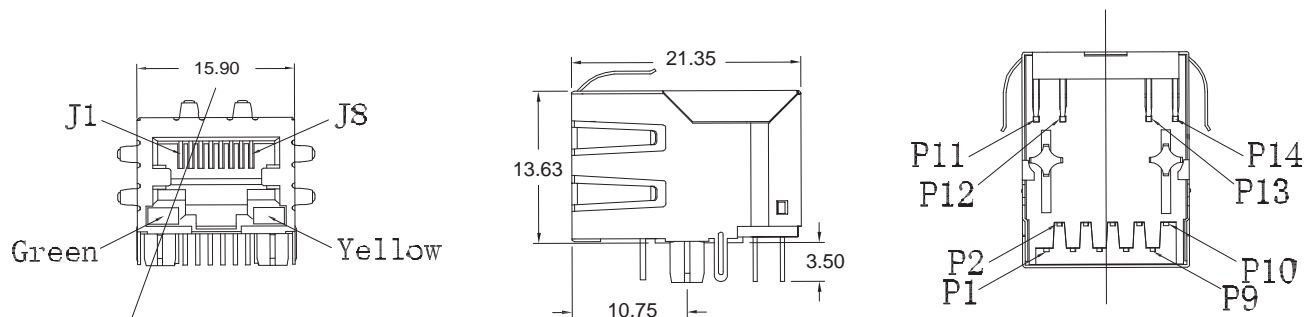
Electrical Specifications @ 25°C

Part Number	Insertion Loss (dB Max)		Return Loss (dB Min) @ Load 100 Ohm			
	1-100MHz	100-125 MHz	1-40MHz	40-60MHz	60-80MHz	80-100MHz
AR11-4161I	-1.0	-1.2	-16	-12	-10	-8

All specifications subject to change without notice.

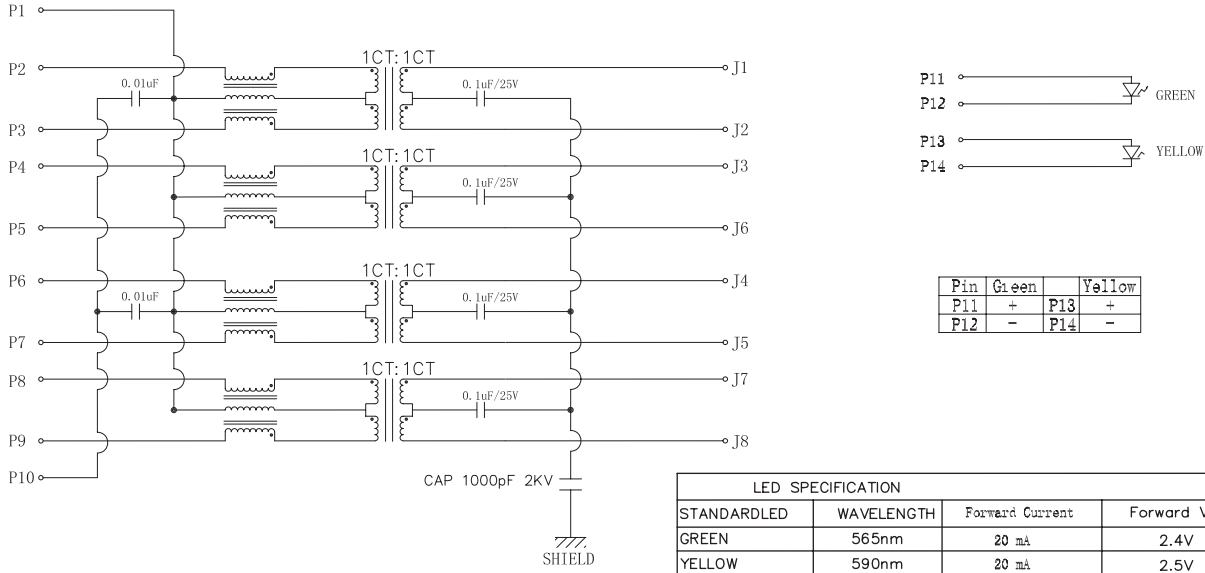
MECHANICAL

UNIT : mm

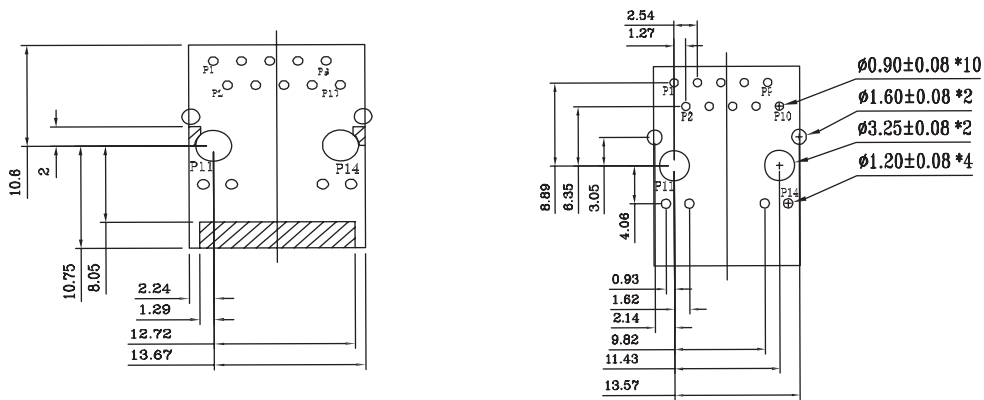




SCHEMATICS



PCB LAYOUT



NOTES

CONTACT MATERIAL:
 HOUSING: THERMOPLASTIC BLACK UL94 V-0
 SHIELD: BRASS
 SHIELD PLATING: NICKEL
 CONTACT: PHOSPHOR BRONZE
 CONTACT PLATING: SELECTIVE GOLD, 6 MICRO INCHES IN CONTACT AREA