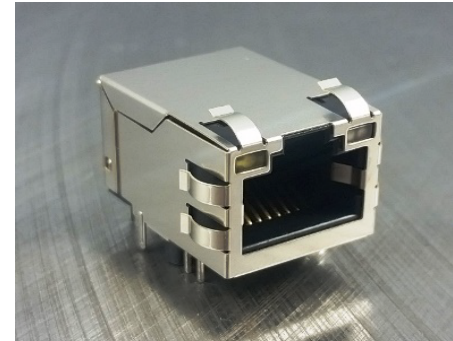




Single Port RJ45 Connector

AR11-3847I

- 10/100/1000 Base-T Gigabit for Ethernet Application
- Impedance: 100OHMS
- RJ45 jack cavity conforms to FCC rules and regulations Part 68, SUB Part F
- Industrial Temp: -40°C to +85°C
- Contact Factory for Standard Temp.
- Available in other Circuit Designs
- Optional Gold Plating Thickness



Electrical Specifications @ 25°C

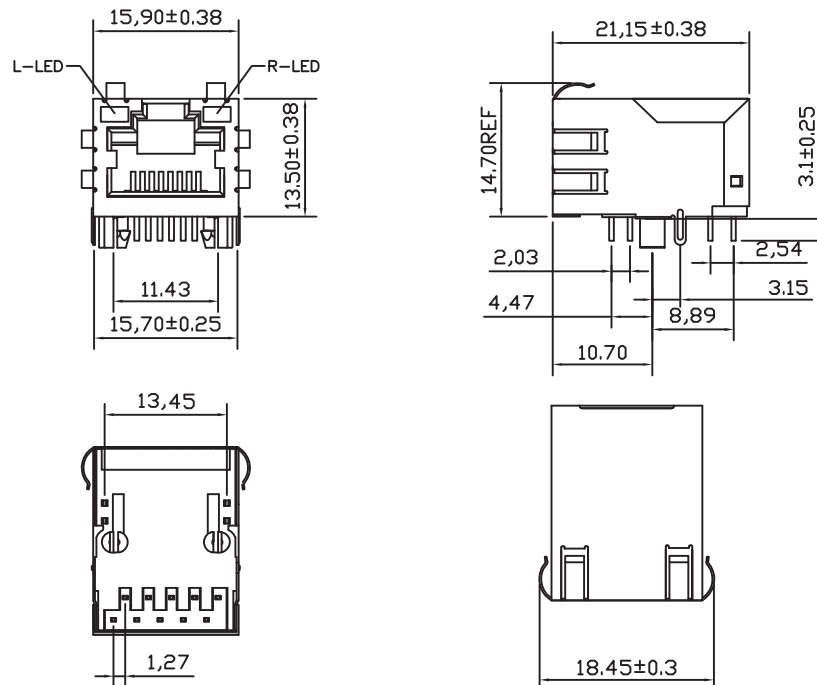
Part Number	OCL(uH Min) @ 100kHz, 0.1V With 8mA DC Bias	Turns Ratio chip: cable (±2%)	Insertion Loss (dB Max)	Return Loss (dB Min)		
	1-100MHz		1-30MHz	30-60MHz	60-80MHz	
AR11-3847I	350	1CT:1CT	-1.0	-18	-18-20Log(F/30MHz)	-12

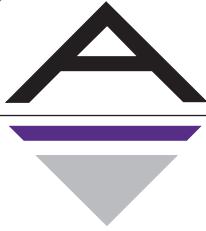
Electrical Specifications @ 25°C

Cross Talk (dB Min)					CMR (dB Min)					CDMR (dB Min)					HI-POT (Vrms) 0.5mA/2Sec.
0.5-1MHz	10MHz	30MHz	50MHz	100MHz	0.3-1MHz	10MHz	30MHz	60MHz	100MHz	0.3-1MHz	10MHz	30MHz	60MHz	100MHz	
-50	-50	-40	-35	-30	-50	-47	-42	-37	-30	-50	-50	-50	-45	-40	1500

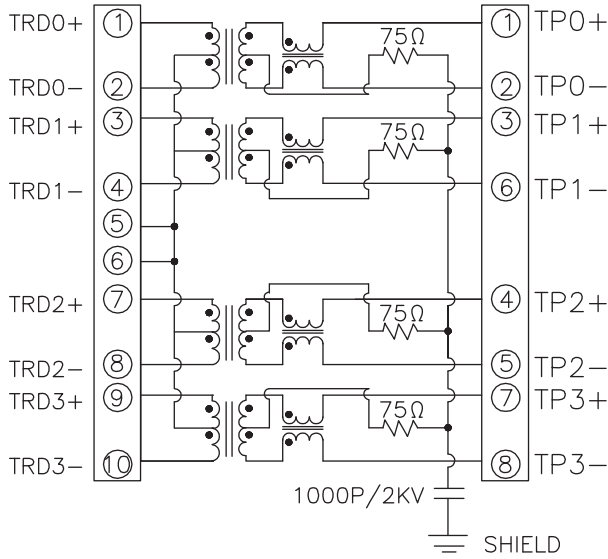
All specifications subject to change without notice.

MECHANICAL





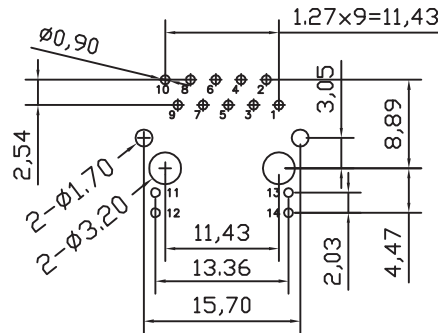
SCHEMATICS



LED Schematic Code:
L
(See chart below)

LED Code				
	Left LED		Right LED	
	+11, -12	-11, +12	+13, -14	-13, +14
A	Green	-	Yellow	-
B	Yellow	-	Green	-
C	Green	-	Green	-
D	-	Green	-	Yellow
E	-	Yellow		Green
F	Yellow	-	Orange	Green
G	Orange	Green	Yellow	-
H	Green	Yellow	Green	-
I	Green	Orange	Yellow	-
J	Green	Yellow	Green	Yellow
K	Green	-	Green	Yellow
L	Yellow	-	Green	Orange
M	Green	Orange	Green	-

PCB LAYOUT



NOTES

- Shield- 0.20mm THICKNESS BRASS C2680 H. PLATING NICKEL 20u"Min.
- Housing- Standard Material Nylon 66, Glass filled Polyester UL94V-0 Standard Color Black.
- RJ Terminal- Plastic: Nylon 66, UL94V-0, Standard Color Black.
Pin: 0.35mm Thickness Phos-Bronze C5210 EH.
Plating: Nickel 40u"-60u" for all and Sn 100%, and 6u" Gold Plating.
- Input Terminal: Plastic Nylon 66, Glass Filled, UL94V-0, Standard Color Black.
Pin: 0.35mm Thickness Phos-Bronze SUS430.
Plating: Nickel 30u"-60u" for all and Sn 100%.