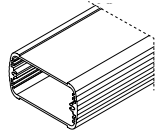
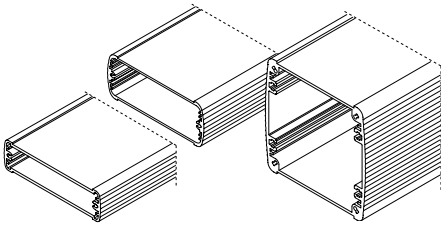


Profile cross-sections

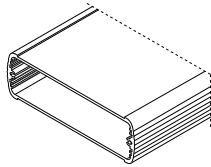
AB...600



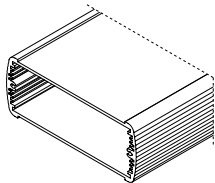
AB...820 / AB...800 / AB...880



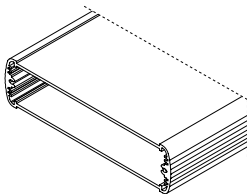
AB...1000



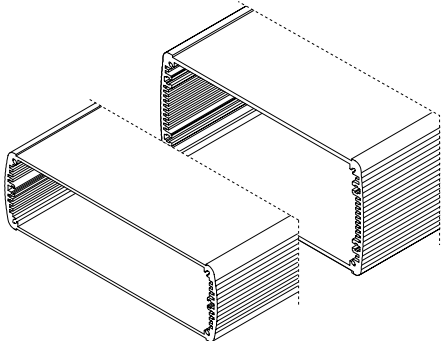
AB...1040



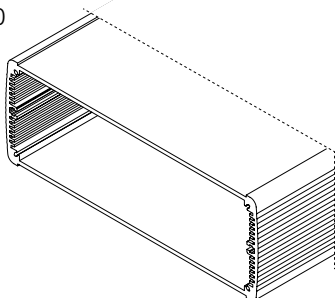
AB...1300



AB...1600 / AB...1680

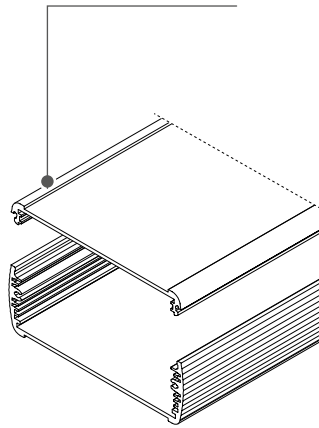


AB...2070

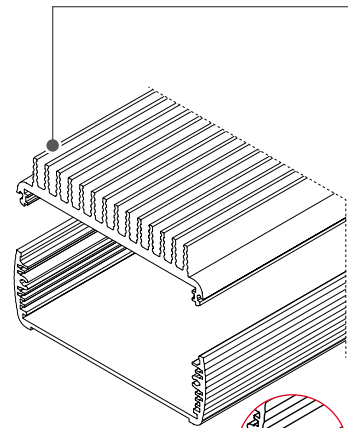


Enclosure versions

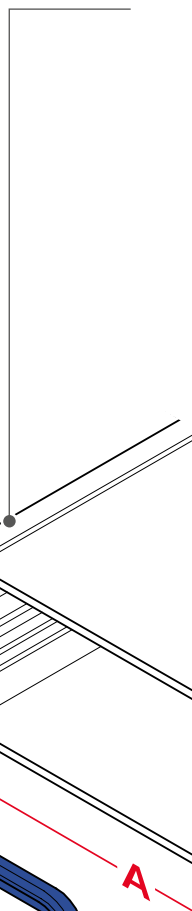
ABPH
(horizontally divided)



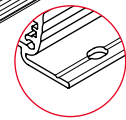
ABPH K
(horizontally divided, with heat sink)



ABP
(closed)



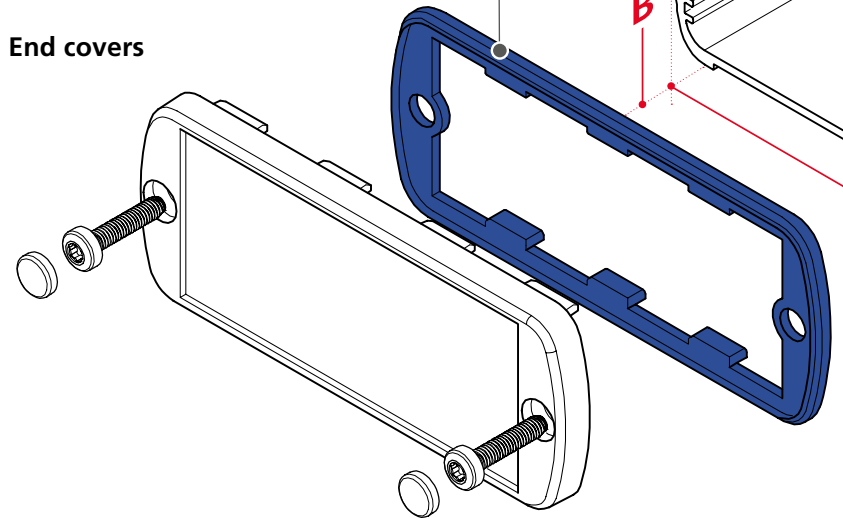
ABPH KWL
(horizontally divided, with heat sink and wall brackets)



Seals

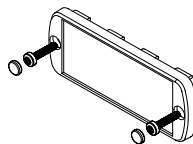


End covers

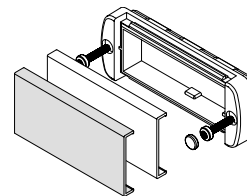


Lid variants

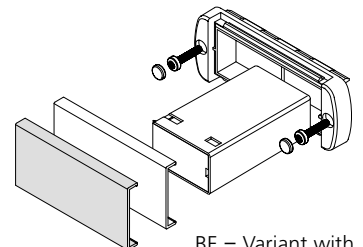
ABD



ABM-AL / ABM-IR

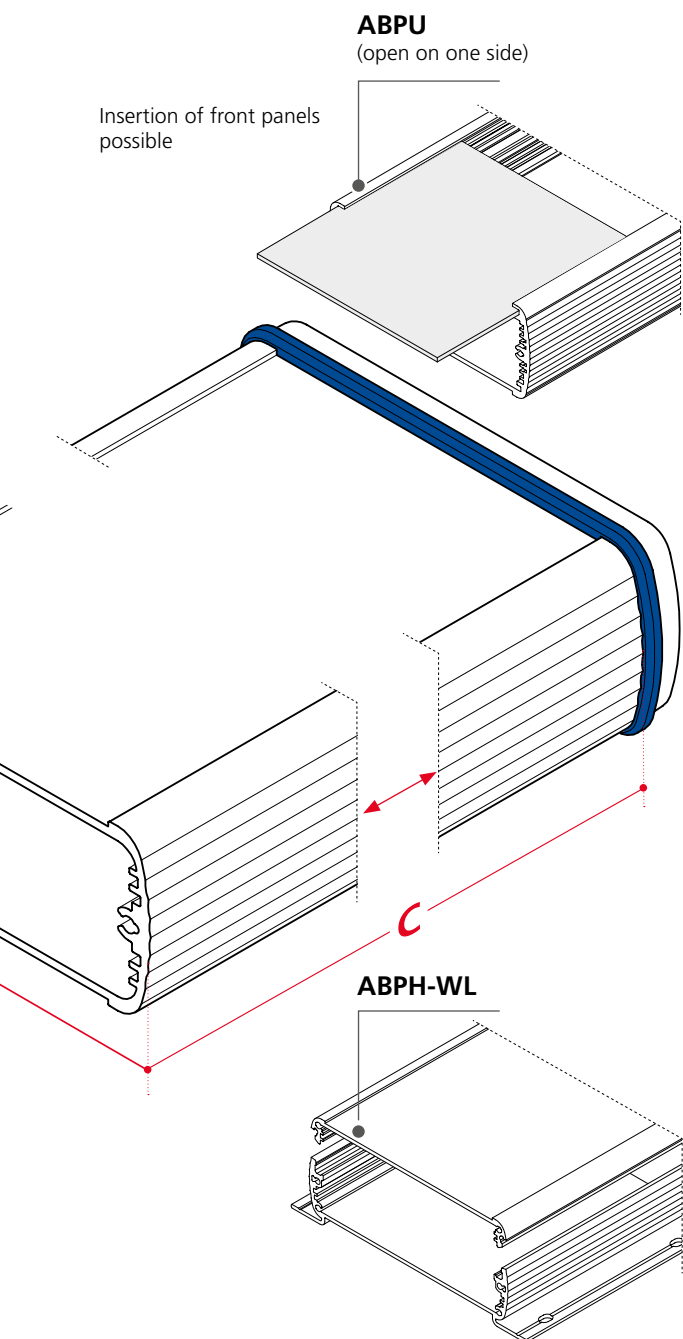


ABM-AL-BE / ABM-IR-BE

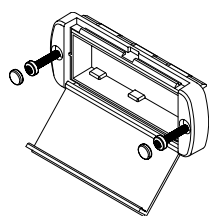


AL= aluminium cap
IR = infrared-permissive plastic cap

BE = Variant with battery compartment

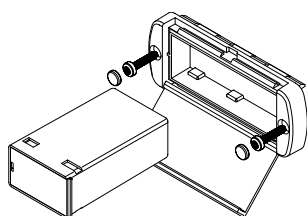


ABM-SAL



Variant with hinged lid

ABM-SAL-BE



BE = Variant with battery compartment

Dimensions

Model	A	B	C
ABP...600	57	32	*
ABP...800 / 820	82	32 / 22	*
ABP...880	84,5	82	*
ABP...1000	106	32	*
ABP...1040	108	42	*
ABP...1300	138	34	*
ABP...1600 / 1680	169	52 / 82	*
ABP...2070	210	74	*

* C = Standard lengths: 100 / 150 / 200 / 1000
individual profile lengths on request.

Profile variants

Model	ABP	ABPH WL	ABPH	ABPU	ABPH K (WL)
ABP...600	✓	✓	✓		✓
ABP...800	✓	✓	✓		
ABP...820	✓		✓	✓	
ABP...880	✓	✓			
ABP...1000	✓	✓	✓	✓	✓
ABP...1040	✓	✓	✓	✓	
ABP...1300	✓	✓	✓	✓	
ABP...1600	✓	✓	✓		✓
ABP...1680	✓	✓	✓	✓	
ABP...2070	✓				

Lid variants

Model	ABD	ABM-AL-IR	ABM-AL-IR +BE	ABM-SAL	ABM-SAL +BE
ABP...600	✓	✓	✓	✓	✓
ABP...800	✓	✓	✓	✓	✓
ABP...820 / 880	✓				
ABP...1000	✓	✓	✓	✓	✓
ABP...1040	✓			✓	
ABP...1300	✓			✓	
ABP...1600 / 1680	✓				
ABP...2070	✓				

Accessories



Wall brackets



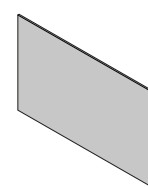
Wall brackets, adjustable



Handle / Tip-up bow



Mounting clamps



Front panels in different versions