

## 1. Scope

The present specifications shall apply to an AK09.

## 2. Outline

Type	Silicon Schottky Barrier Diode
Structure	Resin Molded
Applications	High Frequency Rectification

## 3. Flammability

UL94V-0(Equivalent)

*Not Recommended for New Designs*

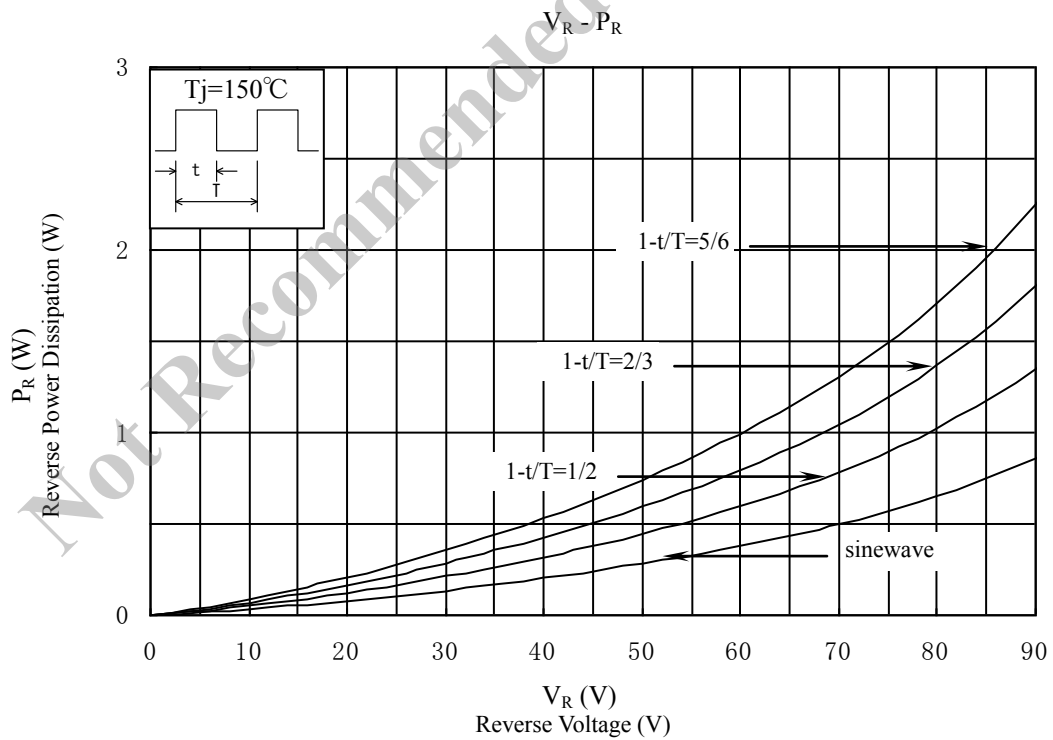
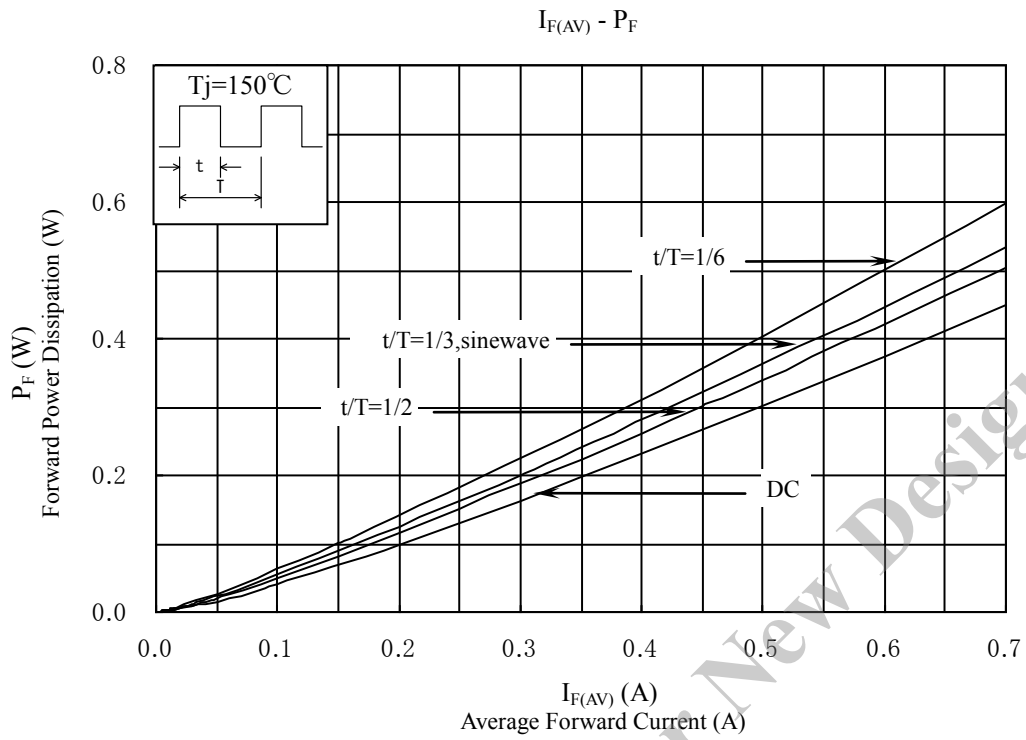
## 4. Absolute maximum ratings

No.	Item	Symbol	Unit	Rating	Conditions
1	Transient Peak Reverse Voltage	$V_{RSM}$	V	90	
2	Peak Reverse Voltage	$V_{RM}$	V	90	
3	Average Forward Current	$I_{F(AV)}$	A	0.7	Refer to Derating of 7
4	Peak Surge Forward Current	$I_{FSM}$	A	10	10msec. Half sinewave, one shot
5	Junction Temperature	$T_j$	°C	-40~+150	
6	Storage Temperature	$T_{stg}$	°C	-40~+150	

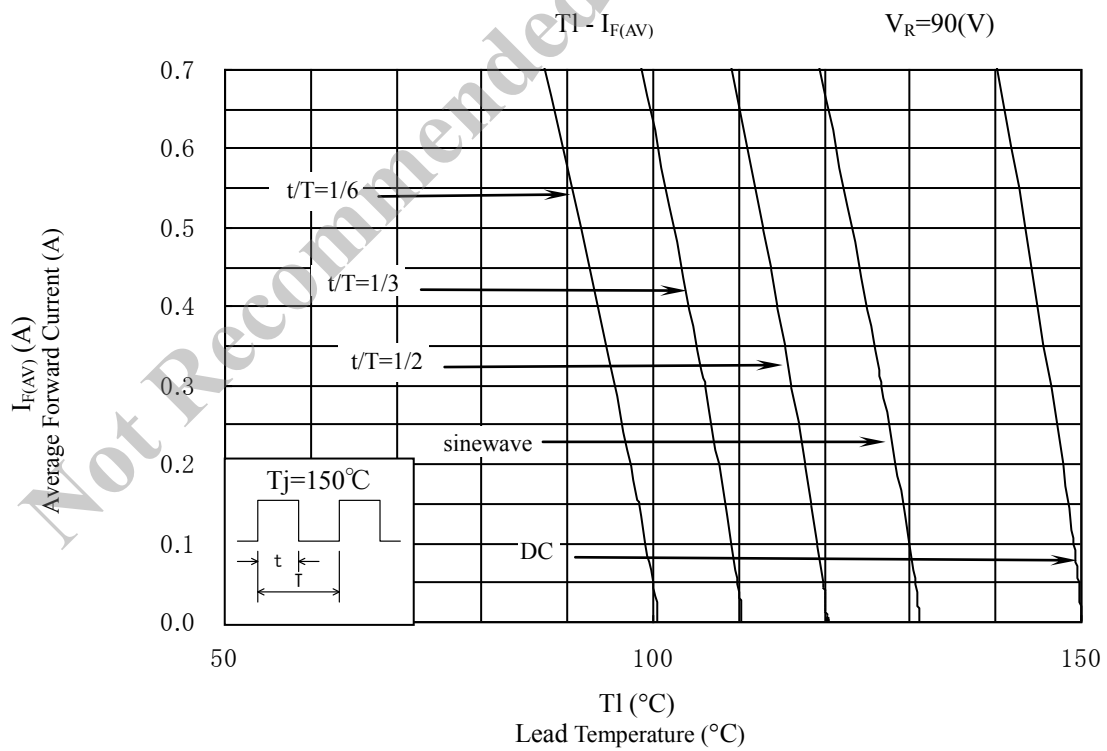
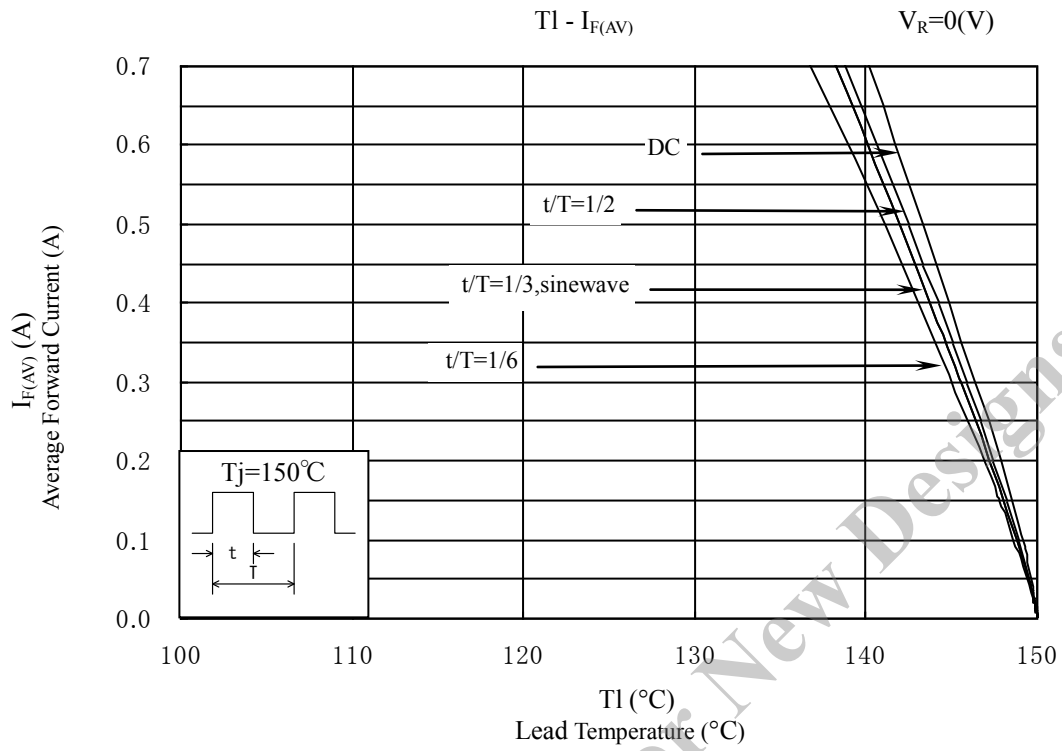
5. Electrical characteristics ( $T_a=25^{\circ}\text{C}$  , unless otherwise specified)

No.	Item	Symbol	Unit	Value	Conditions
1	Forward Voltage Drop	$V_F$	V	0.81 max.	$I_F=0.7\text{A}$
2	Reverse Leakage Current	$I_R$	mA	1.0 max.	$V_R=V_{RM}$
3	Reverse Leakage Current Under High Temperature	$H \cdot I_R$	mA	30 max.	$V_R=V_{RM}$ , $T_j=150^{\circ}\text{C}$
4	Thermal Resistance	$R_{th(j-l)}$	°C /W	22 max.	Between Junction and Lead

6. Characteristics

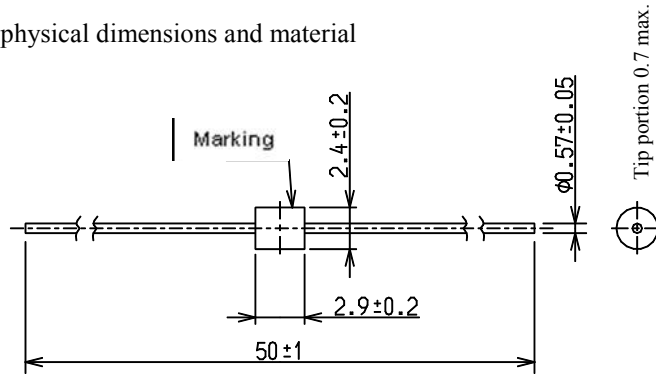


7. Derating



8. Package information

8-1 Package type, physical dimensions and material



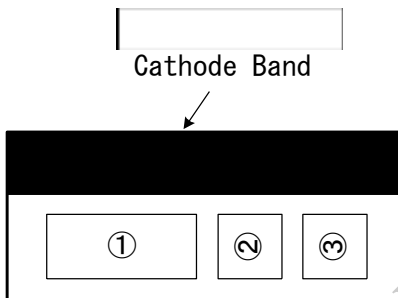
- \*1 The allowance position of Body against the center of whole lead wire is 0.5mm(max.)
- \*2 The centric allowance of lead wire against center of physical body is 0.3mm(max.)
- \*3 The burr may exit up to 2mm from the body of lead

Dimensions in mm

8-2 Appearance

The body shall be clean and shall not bear any stain, rust or flaw.

8-3 Marking



- ① Type number - AK09 is abbreviated as K9
- ② Lot number 1  
Last digit of Year
- ③ Lot number 2  
Month  
From 1 to 9 for Jan. to Sep.  
O for Oct., N for Nov., and D for Dec

Not Recommended for New Designs